



© Firetrol, Inc. Not for construction.  
Subject to change without notice.

|                |     |          |
|----------------|-----|----------|
|                | BY  | DD/MM/YY |
| DRAWN BY       | DDS | 22/02/03 |
| FINAL APPROVAL | FC  | 23/02/23 |

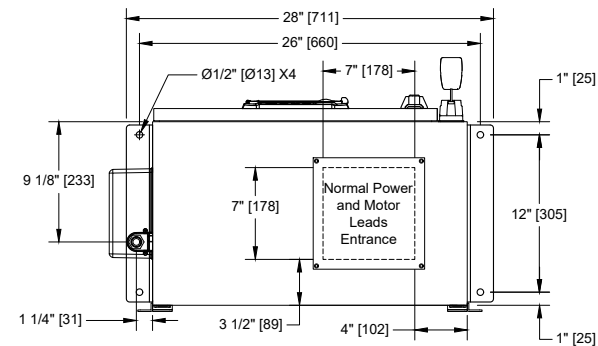
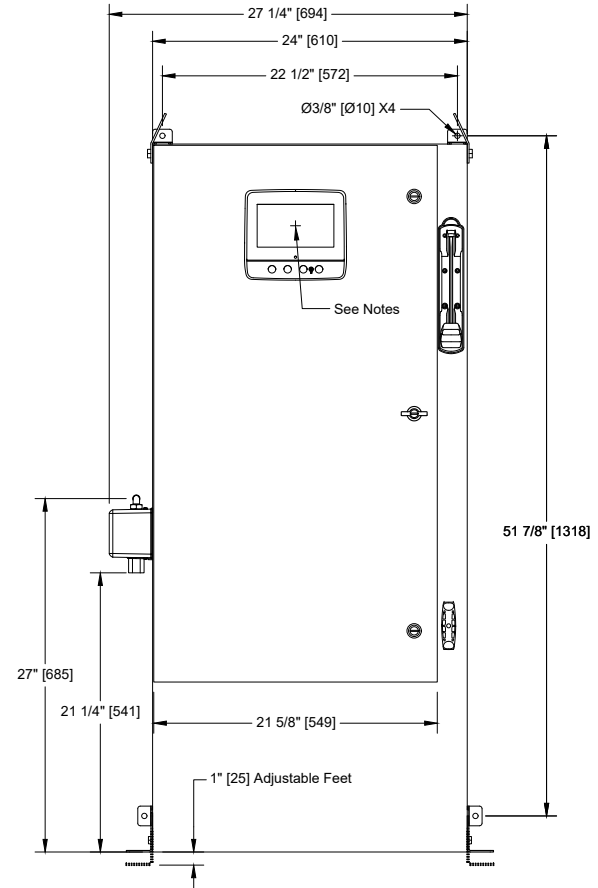
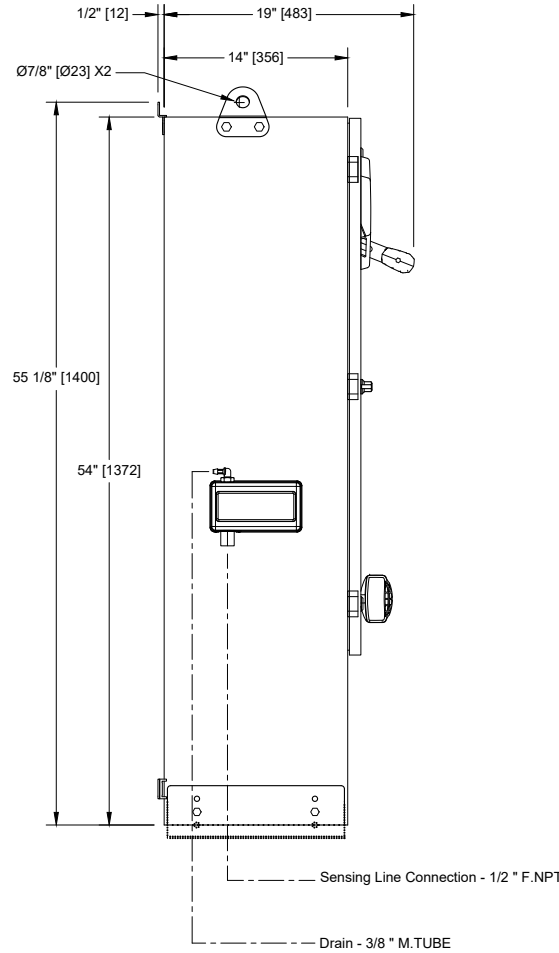
# ELECTRIC FIRE PUMP CONTROLLER

**MODEL: FTA1000/FTA1250/FTA1300**

BUILT TO THE LATEST EDITION OF THE NFPA20 & NFPA70



|                |              |
|----------------|--------------|
| DRAWING NUMBER | DD1000-820/E |
| DWG REV. 0     |              |
| SHEET 1 OF 1   |              |



| Voltage / Power Table |        |        |
|-----------------------|--------|--------|
| Voltage               | Min HP | Max HP |
| 208                   | 40     | 60     |
| 220 - 240             | 40     | 75     |
| 380 - 400 - 415       | 75     | 125    |
| 440 - 480             | 75     | 150    |
| 600                   | 100    | 200    |

**Notes:**

- Standard: NEMA 2
- Standard paint : textured red RAL 3002.
- All dimensions are in inches [millimeters].
- Center of screen: 47-5/8" [1208] from bottom.
- Bottom conduit entrance through removable gland plate recommended.
- Use watertight conduit and connector only.
- Protect equipment against drilling chips.
- Door swing equal to door width.