



© Firetrol, Inc. Not for construction.  
Subject to change without notice.

|                |     |          |
|----------------|-----|----------|
|                | BY  | DD/MM/YY |
| DRAWN BY       | DDS | 22/02/23 |
| FINAL APPROVAL | FC  | 23/02/23 |

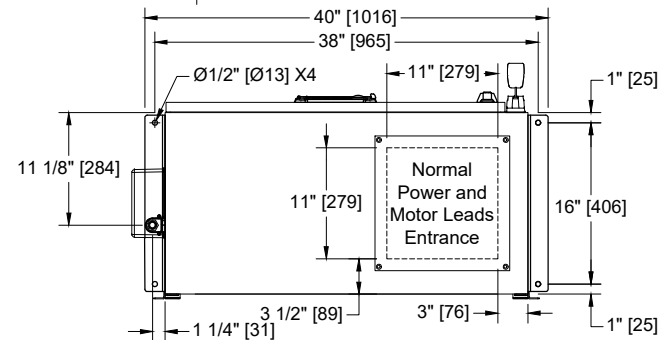
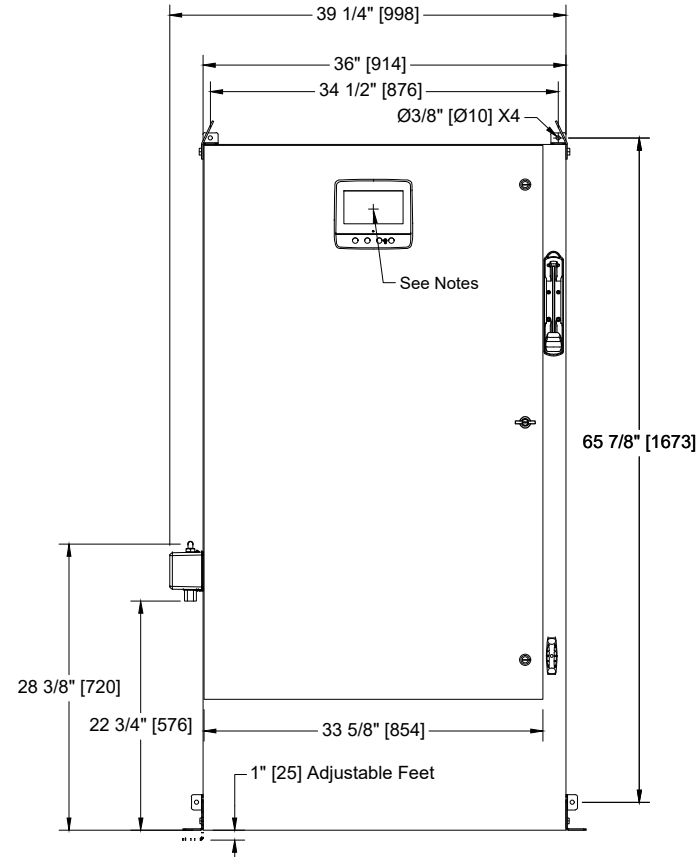
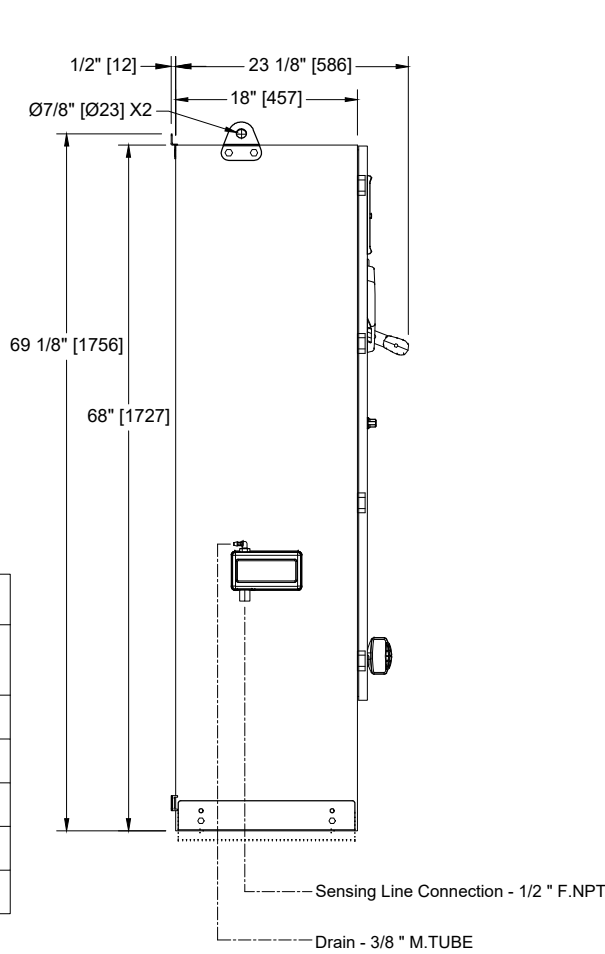
# ELECTRIC FIRE PUMP CONTROLLER

**MODEL: FTA1000/FTA1250/FTA1300**

BUILT TO THE LATEST EDITION OF THE NFPA20 & NFPA70



DRAWING NUMBER  
**DD1000-830 /E**  
DWG REV. 0  
SHEET 1 OF 1



| Voltage         | Min HP | Max HP |
|-----------------|--------|--------|
| 208             | 75     | 150    |
| 220 - 240       | 100    | 200    |
| 380 - 400 - 415 | 150    | 300    |
| 440 - 480       | 200    | 400    |
| 600             | 250    | 500    |

**Notes:**

- Standard NEMA: NEMA 2
- Standard paint : textured red RAL 3002.
- All dimensions are in inches [millimeters].
- Center of screen: 61-5/8" [1564] from bottom.
- Bottom conduit entrance through removable gland plate recommended.
- Use watertight conduit and connector only.
- Protect equipment against drilling chips.
- Door swing equal to door width.