

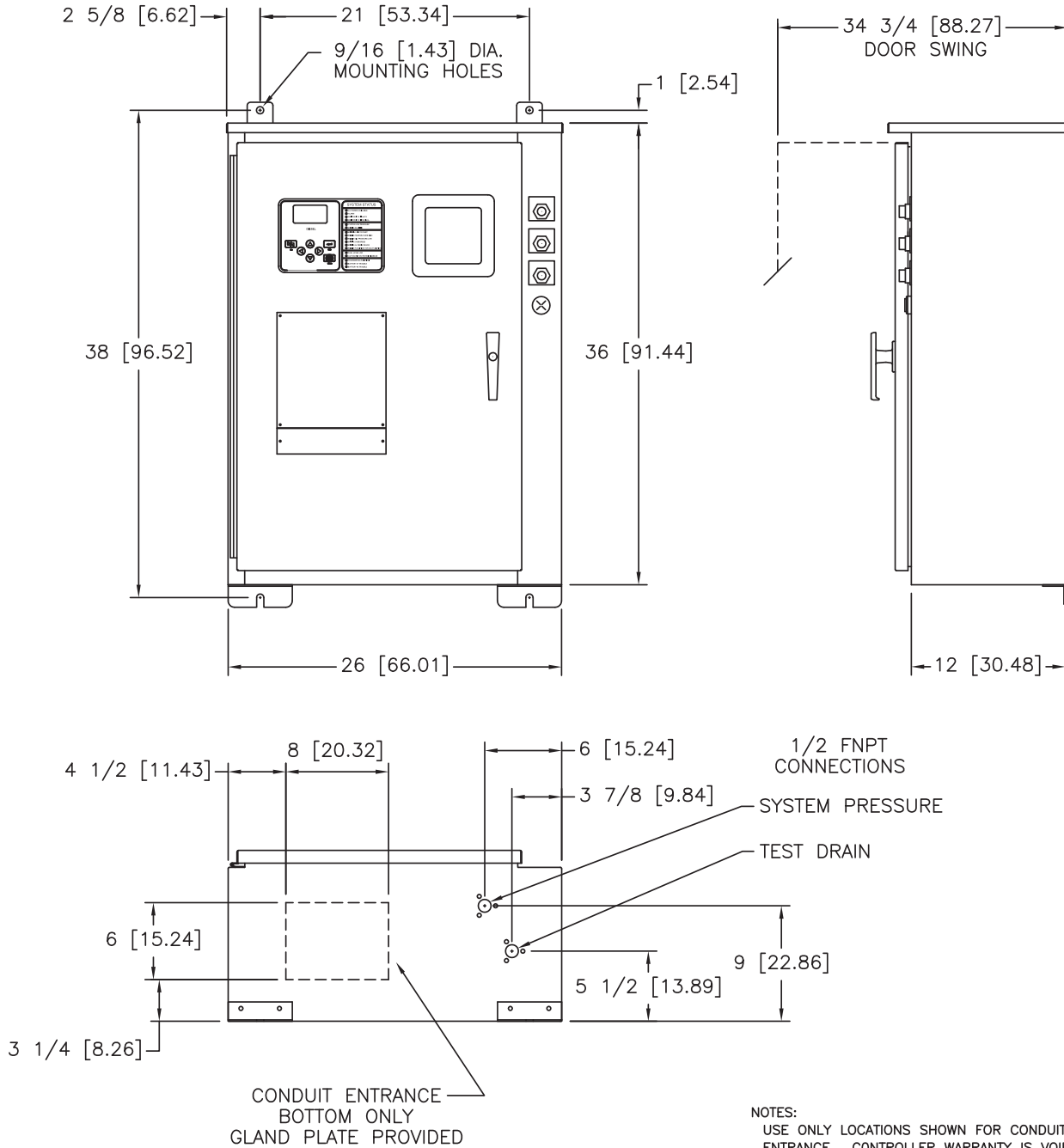


# Mark IIx6 Diesel Engine Fire Pump Controllers

# Dimensions & Shipping Weight

## FTA1100J

### Wall Mount



NOTES:  
USE ONLY LOCATIONS SHOWN FOR CONDUIT ENTRANCE. CONTROLLER WARRANTY IS VOID IF ANY OTHER LOCATION IS USED. DO NOT ENTER FROM TOP.

NOT TO BE USED AS A JUNCTION BOX. DO NOT ROUTE ENGINE HEATER WIRING THROUGH CONTROLLER.

DO NOT INSTALL IN AMBIENT TEMPERATURES BELOW 41°F (5°C)

DIMENSIONS SHOWN ON THIS DRAWING ARE APPLICABLE FOR NEMA TYPES 2/3R/4/4X/12

FOR CONTROLLERS WITH 12" [30.5] FLOOR MOUNTING LEGS  
MODIFICATION -N31 RE: DRAWING DD1100-21

FOR CONTROLLERS WITH 6" [15.24] BASE MOUNTING LEGS  
MODIFICATION -N32 RE: DRAWING DD1100-22

ALL DIMENSIONS - INCHES [CM]  
SHIPPING WEIGHT - POUNDS [KG]

APPROXIMATE SHIPPING WEIGHT  
200 [90.7]

	SIZE	A	BY	TEF	DATE	12-14-02	<p>© Firetrol, Inc. Not for construction. Subject to change without notice.</p>	UPDATED TITLE BLOCK				D	280454	JMW	TEF	08-21-19	
	DRAWN BY	TEF	DATE	12-14-02	CHANGED PRESSURE FITTING AND CONDUIT ENTRANCE DIMENSIONS				C	228698	JC	TEF	08-20-10				
	REVISION DESCRIPTION					REV		ECN NO	BY	APP	DATE	DRAWING NUMBER					
	FINAL APPROVAL	TEF	DATE	12-14-02	DIMENSIONS & SHIPPING WEIGHT				FTA1100-J				DD1100-20				
							DIESEL ENGINE FIRE PUMP CONTROLLER				DWG REV	D	ECN NO	280454	SHEET 1 OF 1		
							WALL MOUNT										

All rights reserved. The drawing and the information contained or depicted herein are the sole property of Firetrol, Inc. Copies are communicated to the recipient in strict confidence and may not be retransmitted, published, reproduced, copied or used in any manner, including as the basis for the manufacture or sale of any products, without the express prior written consent of Firetrol, Inc.