

Low/High Fuel Level Switch

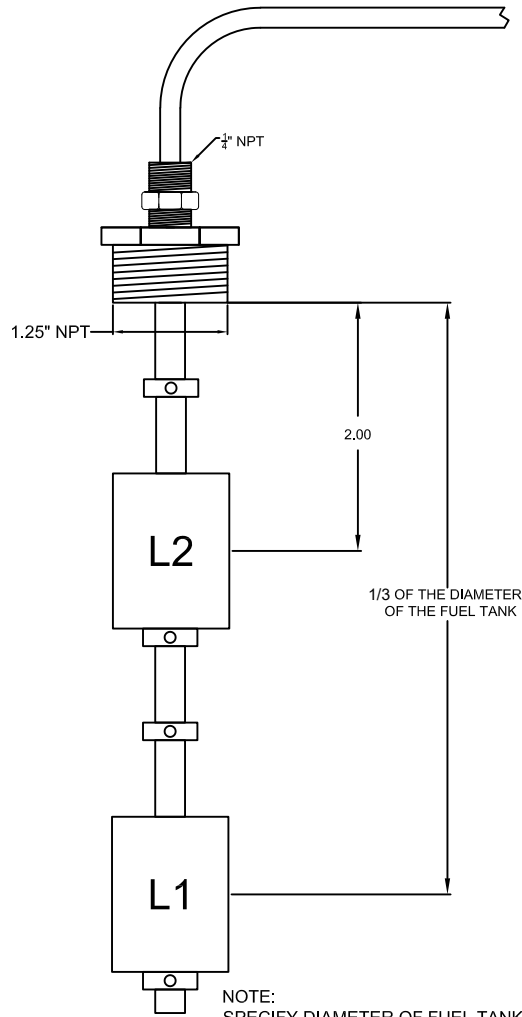


FTA1100-K26A

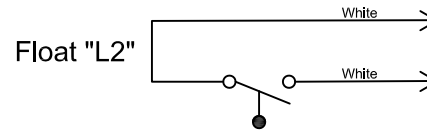
Diesel Engine Fire Pump Controller - Accessory

Float Switch Connections

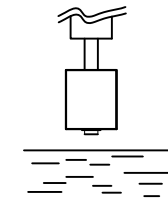
Contact Rating:
Maximum 250V, 20W
(Switch REED)
Pilot Duty Switch



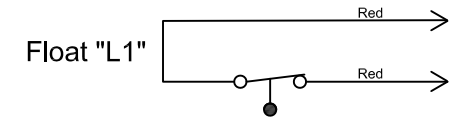
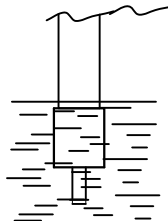
Float Switch Configuration



The contact is OPEN when float is above the liquid level.



The contact is CLOSED when the float is in the liquid



The contact is CLOSED when float is above the liquid level.

The contact is OPEN when the float is in the liquid

NOTE: SPECIFY DIAMETER OF FUEL TANK

THIRD ANGLE PROJECTION	SIZE	A	BY	CIR	DATE	2-6-20
	DRAWN BY	CIR	DATE	2-6-20		
	FINAL APPROVAL	CIR	DATE	2-6-20		



© Firetrol, Inc. Not for construction. Subject to change without notice.

REVISED DIMENSIONS L1 & L2		A	-	CIR	CIR	4-8-20
RELEASED		-	-	CIR	CIR	2-6-20
REVISION DESCRIPTION		REV	ECN NO	BY	APP	DATE
DIMENSIONS & WEIGHT		FTA1100-K26A		DRAWING NUMBER		
COMBINED LOW AND HIGH FUEL LEVEL SWITCH FLOAT 1.25"				DD1100-K26A		
DWG REV	A	ECN NO	-	SHEET 1 OF 1		