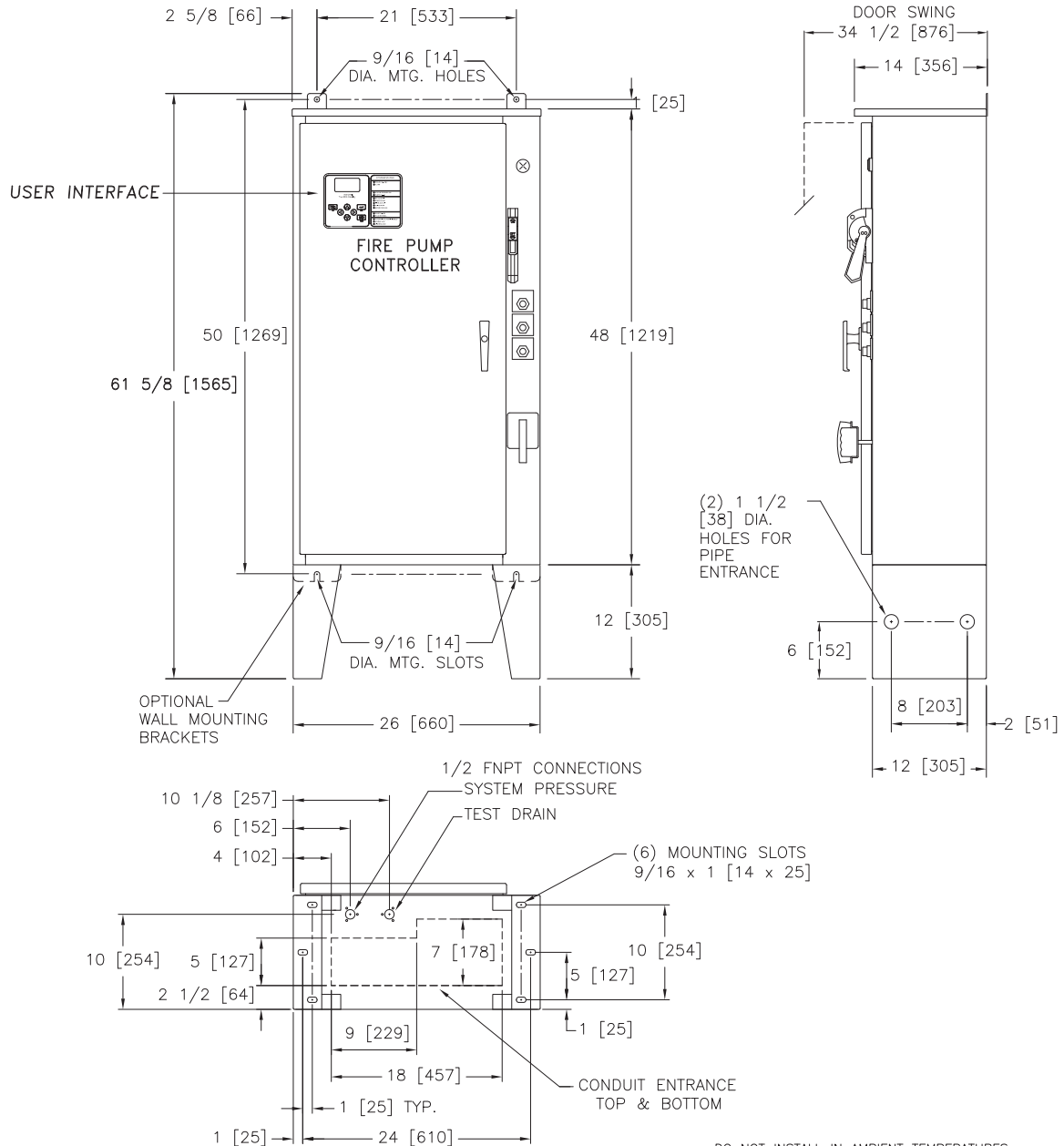




Mark IIx6 Electric Fire Pump Controllers

Dimensions and Shipping Weight FTA1250 Part Winding Starting



DO NOT INSTALL IN AMBIENT TEMPERATURES BELOW 41°F [5°C].

ALL DIMENSIONS - INCHES [MM]
SHIPPING WEIGHT - POUNDS [KG]

THIS DIMENSION DRAWING COVERS FTA1250 CONTROLLERS AT THE HORSEPOWER, VOLTAGE AND WITHSTAND RATINGS AS LISTED IN THE TABLE. FOR OTHER HORSEPOWER OR WITHSTAND RATINGS, REFER TO ED1250-02

SPECIFICATIONS AND DIMENSIONS SUBJECT TO CHANGE WITHOUT NOTICE. DO NOT USE FOR CONSTRUCTION. REQUEST CONSTRUCTION DRAWINGS FROM FIRETROL OR YOUR LOCAL FIRETROL REPRESENTATIVE.

| STANDARD WITHSTAND RATINGS | |
|----------------------------------|------------------|
| 200-600V - 100,000 Amps RMS Sym. | |
| INTERMEDIATE WITHSTAND RATINGS | |
| 200-600V - 150,000 Amps RMS Sym. | |
| HIGH WITHSTAND RATINGS | |
| 200-600V - 200,000 Amps RMS Sym. | |
| LINE VOLTAGE | MOTOR HORSEPOWER |
| 200 | □ 3-60 |
| 208 | □ 3-60 |
| 220-240 | □ 3-60 |
| 380-415 | □ 3-100 |
| 440-480 | □ 3-150 |
| 550-600 | □ 3-150 |

| APPROXIMATE SHIPPING WEIGHT |
|-----------------------------|
| 255 [116] |

| UPDATED TITLE BLOCK | | C | 280598 | JMW | TEF | 09-04-19 |
|--|--|---------|--------|----------------|--------|--------------|
| ADDED COMPONENTS TO MEET FM REQUIREMENTS | | B | 228549 | JC | TEF | 08-04-10 |
| REVISION DESCRIPTION | | REV | ECN NO | BY | APP | DATE |
| DIMENSIONS & SHIPPING WEIGHT | | FTA1250 | | DRAWING NUMBER | | |
| PART WINDING FIRE PUMP CONTROLLER | | | | DD1250-51 | | |
| | | DWG REV | C | ECN NO | 280598 | SHEET 1 OF 1 |

| | | | | |
|------------------------|----------------|-----|----------|------|
| THIRD ANGLE PROJECTION | SIZE | A | BY | DATE |
| | DRAWN BY | TEF | 07-08-02 | |
| | FINAL APPROVAL | TEF | 07-08-02 | |



© Firetrol, Inc. Not for construction. Subject to change without notice.