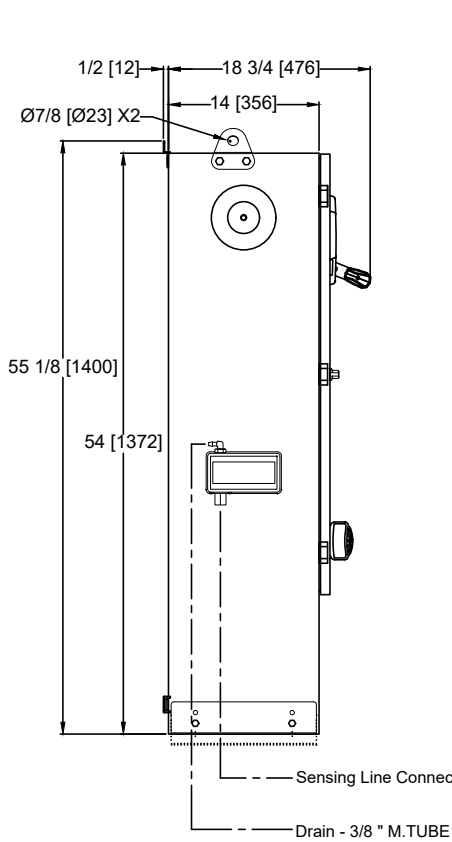


Dimensions and Shipping Weight

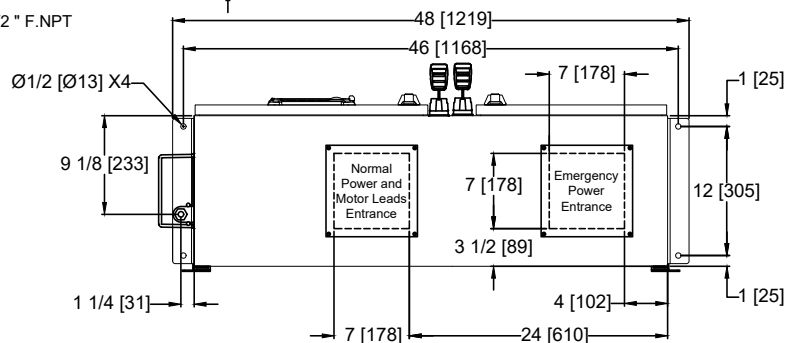
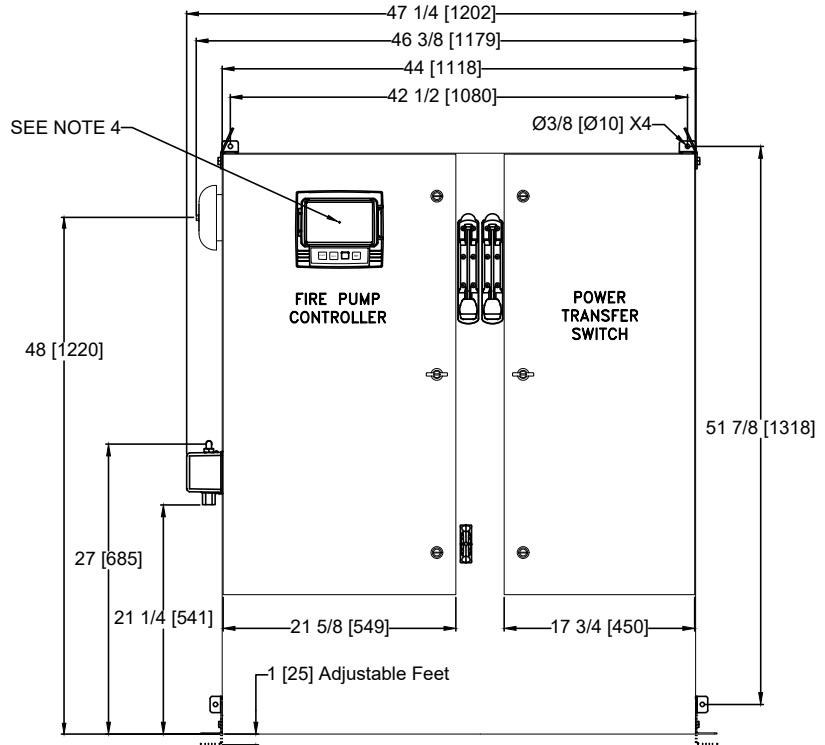


FTA1250/950

MARK^{III} Electric Fire Pump Controllers – Part Winding Starting With Power Transfer Switch



NOTE:
DRAIN CONNECTION MUST BE PIPED TO WASTE DRAIN. FAILURE TO CONNECT TO A FLOOR DRAIN WILL RESULT IN UNSAFE CONDITIONS OF STANDING WATER AROUND CONTROLLER.



VOLTAGE/POWER TABLE	
LINE VOLTAGE	MOTOR HORSEPOWER
208	40-60
220-240	40-75
380-400-415	75-125
440-480	75-150
600	100-200
APPROX SHIPPING WT: 390 [177]	

- NOTES:**
- STANDARD: NEMA 2
 - STANDARD PAINT: TEXTURED RED RAL3002
 - ALL DIMENSIONS IN INCHES [MILLIMETERS]
SHIPPING WEIGHT IN POUNDS [KG]
 - CENTER OF MARK III SCREEN: 47 5/8 [1208] FROM BOTTOM OF ENCLOSURE
 - BOTTOM CONDUIT ENTRANCE THROUGH REMOVABLE GLAND PLATE RECOMMENDED
 - USE WATERTIGHT CONDUIT AND CONNECTOR ONLY
 - PROTECT EQUIPMENT AGAINST DRILLING CHIPS
 - DOOR SWING EQUAL TO DOOR WIDTH
 - DRAWINGS FOR CONSTRUCTION PURPOSES MUST BE OBTAINED FROM FIRETROL OR THE LOCAL FIRETROL REPRESENTATIVE
 - SEISMIC MOUNTING TO BE RIGID WALL AND BASE ONLY

SIZE	A	BY	DATE	REVISED VOLTAGE/HP CHART	A	-	CIR	CIR	1-19-21
THIRD ANGLE PROJECTION				REVISION DESCRIPTION	REV	ECN NO	BY	APP	DATE
DRAWN BY	CIR	11-5-19		DIMENSIONS & SHIPPING WEIGHT	FTA1250 WITH FTA950		DRAWING NUMBER		
FINAL APPROVAL	CIR	11-5-19		PART WINDING FIRE PUMP CONTROLLER AND POWER TRANSFER SWITCH	DD1250-81		CDL		
					DWG REV	A	ECN NO	-	SHEET 1 OF 1



© Firetrol, Inc. Not for construction. Subject to change without notice.