

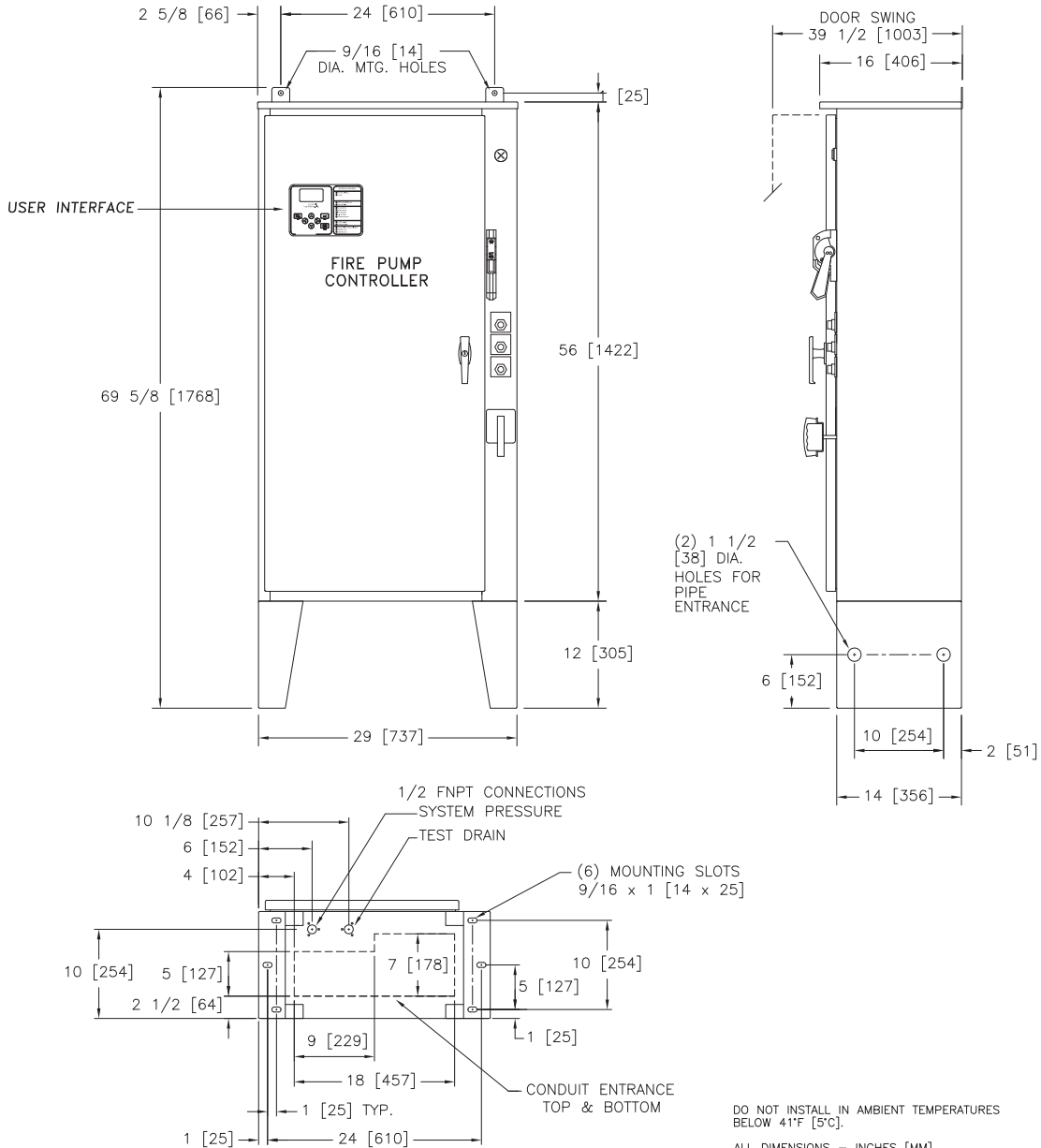


Mark IIx6 Electric Fire Pump Controllers

Dimensions and Shipping Weight

FTA1300

Wye-Delta Open Transition Starting



DO NOT INSTALL IN AMBIENT TEMPERATURES BELOW 41°F [5°C].

ALL DIMENSIONS - INCHES [MM]
SHIPPING WEIGHT - POUNDS [KG]

THIS DIMENSION DRAWING COVERS FTA1300 CONTROLLERS AT THE HORSEPOWER, VOLTAGE AND WITHSTAND RATINGS AS LISTED IN THE TABLE. FOR OTHER HORSEPOWER OR WITHSTAND RATINGS, REFER TO ED1300-02

SPECIFICATIONS AND DIMENSIONS SUBJECT TO CHANGE WITHOUT NOTICE. DO NOT USE FOR CONSTRUCTION. REQUEST CONSTRUCTION DRAWINGS FROM FIRETROL OR YOUR LOCAL FIRETROL REPRESENTATIVE.

STANDARD WITHSTAND RATINGS	
200-600V - 100,000 Amps RMS Sym.	
INTERMEDIATE WITHSTAND RATINGS	
200-600V - 150,000 Amps RMS Sym.	
HIGH WITHSTAND RATINGS	
200-600V - 200,000 Amps RMS Sym.	
LINE VOLTAGE	MOTOR HORSEPOWER
200	□ 75-100
208	□ 75-125
220-240	□ 75-125
380-415	□ 125-200
440-480	□ 200-250
550-600	□ 200-300

APPROXIMATE SHIPPING WEIGHT
335 [152]

THIRD ANGLE PROJECTION	SIZE A	BY	DATE
	DRAWN BY	TEF	07-23-02
	FINAL APPROVAL	TEF	07-23-02



© Firetrol, Inc. Not for construction. Subject to change without notice.

UPDATED TITLE BLOCK		D	280820	JMW	TEF	09-13-19
REVISED MOTOR HORSEPOWER CHART		C	237364	JC	TEF	05-31-12
REVISION DESCRIPTION		REV	ECN NO	BY	APP	DATE
DIMENSIONS & SHIPPING WEIGHT		FTA1300		DRAWING NUMBER		
OPEN TRANSITION WYE-DELTA FIRE PUMP CONTROLLER				DD1300-55		
DWG REV	D	ECN NO	280820	SHEET 1 OF 1		

All rights reserved. The drawing and the information contained or depicted herein are the sole property of Firetrol, Inc. Copies are communicated to the recipient in strict confidence and may not be retransmitted, published, reproduced, copied or used in any manner, including as the basis for the manufacture or sale of any products, without the express prior written consent of Firetrol, Inc.