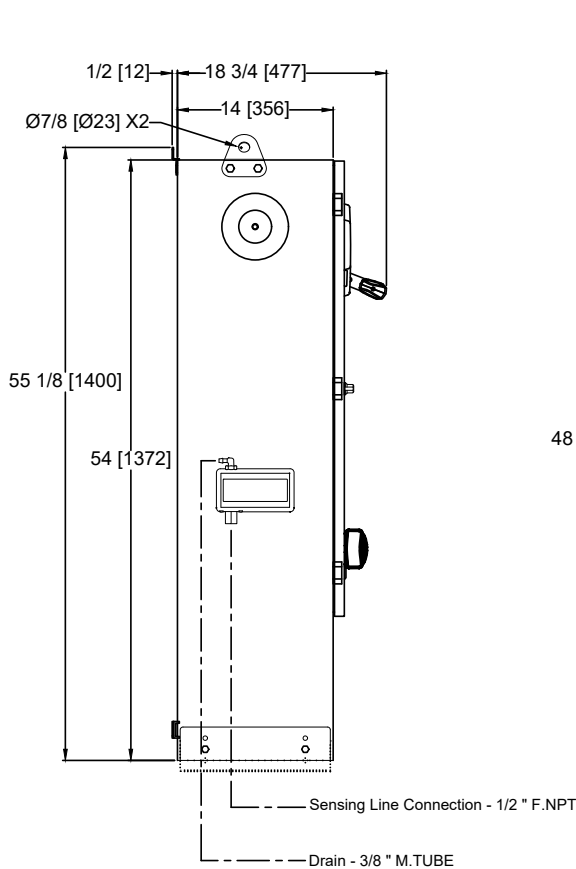


Dimensions and Shipping Weight

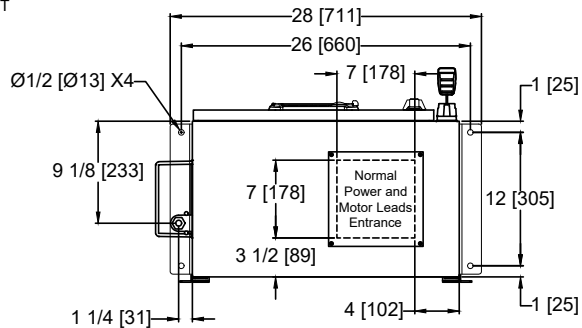
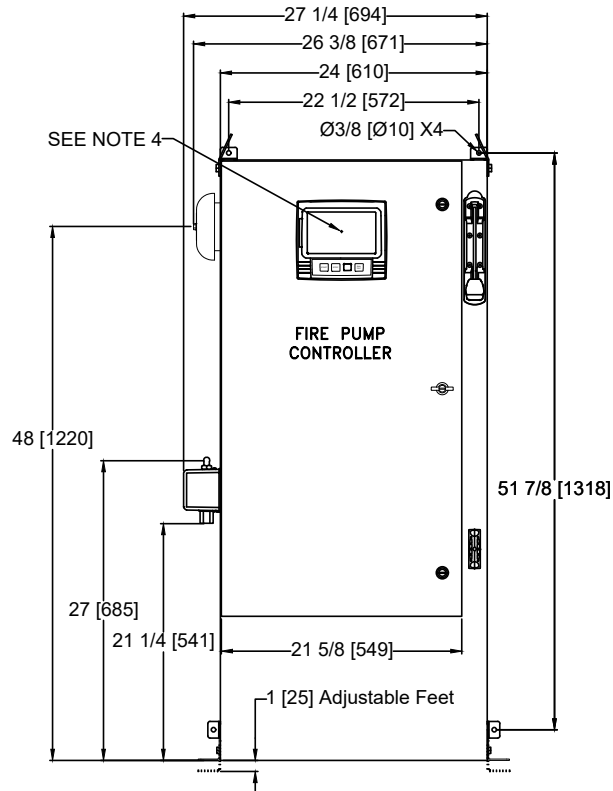


FTA1300

MARK^{III} Electric Fire Pump Controllers - Wye-Delta Open Transition Starting



NOTE:
DRAIN CONNECTION MUST BE PIPED TO WASTE DRAIN. FAILURE TO CONNECT TO A FLOOR DRAIN WILL RESULT IN UNSAFE CONDITIONS OF STANDING WATER AROUND CONTROLLER.



NOTES:

- STANDARD: NEMA 2
- STANDARD PAINT: TEXTURED RED RAL3002
- ALL DIMENSIONS IN INCHES [MILLIMETERS] SHIPPING WEIGHT IN POUNDS [KG]
- CENTER OF MARK III SCREEN: 47 5/8 [1208] FROM BOTTOM OF ENCLOSURE
- BOTTOM CONDUIT ENTRANCE THROUGH REMOVABLE GLAND PLATE RECOMMENDED
- USE WATERTIGHT CONDUIT AND CONNECTOR ONLY
- PROTECT EQUIPMENT AGAINST DRILLING CHIPS
- DOOR SWING EQUAL TO DOOR WIDTH
- DRAWINGS FOR CONSTRUCTION PURPOSES MUST BE OBTAINED FROM FIRETROL OR THE LOCAL FIRETROL REPRESENTATIVE
- SEISMIC MOUNTING TO BE RIGID WALL AND BASE ONLY

VOLTAGE/POWER TABLE	
LINE VOLTAGE	MOTOR HORSEPOWER
208	40-60
220-240	40-75
380-400-415	75-125
440-480	75-150
600	100-200
APPROX SHIPPING WT: 225 [102]	

THIRD ANGLE PROJECTION	SIZE	A	BY	DATE
	DRAWN BY	CIR	11-5-19	
	FINAL APPROVAL	CIR	11-5-19	



© Firetrol, Inc. Not for construction. Subject to change without notice.

REVISED VOLTAGES/HP IN CHART	A	-	CIR	CIR	1-19-21
REVISION DESCRIPTION	REV	ECN NO	BY	APP	DATE
DIMENSIONS & SHIPPING WEIGHT	FTA1300		DRAWING NUMBER		
OPEN TRANSITION WYE DELTA FIRE PUMP CONTROLLER			DD1300-71		
DWG REV	A	ECN NO	-	SHEET 1 OF 1	