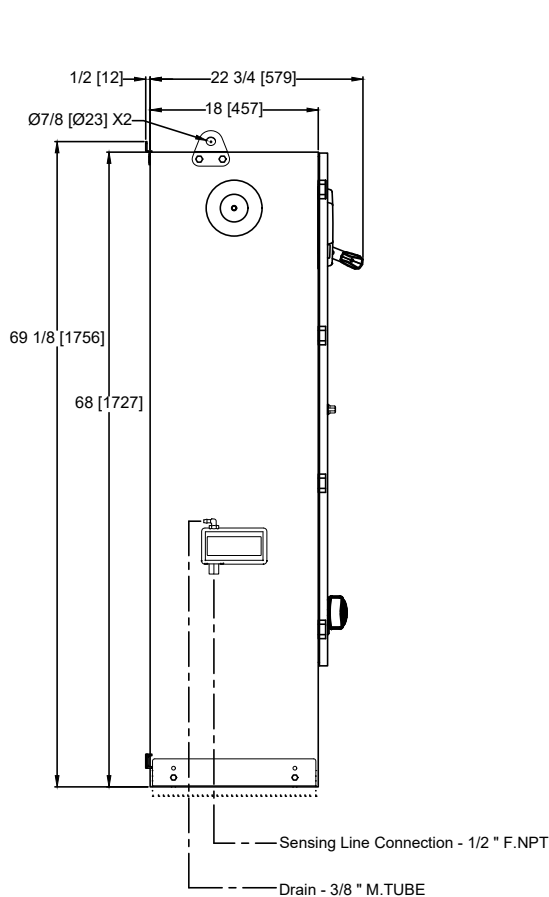


Dimensions and Shipping Weight

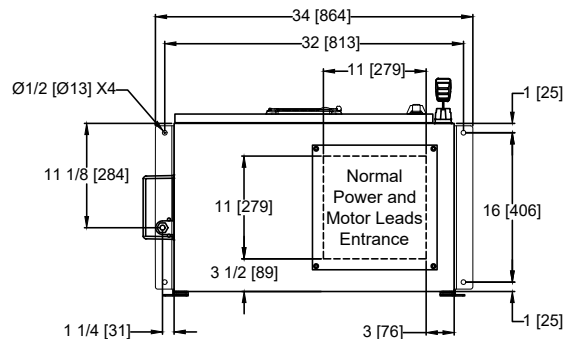
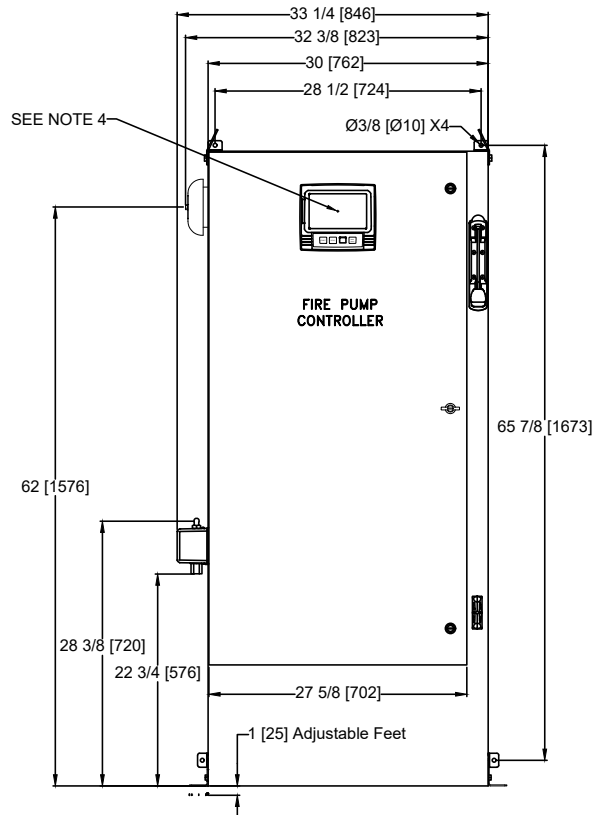


FTA1300

MARK^{III} Electric Fire Pump Controllers - Wye-Delta Open Transition Starting



NOTE:
DRAIN CONNECTION MUST BE PIPED TO WASTE DRAIN. FAILURE TO CONNECT TO A FLOOR DRAIN WILL RESULT IN UNSAFE CONDITIONS OF STANDING WATER AROUND CONTROLLER.



VOLTAGE/POWER TABLE	
LINE VOLTAGE	MOTOR HORSEPOWER
208	75-150
220-240	100-200
380-400-415	150-300
440-480	200-400
600	250-500
APPROX SHIPPING WT: 400 [181]	

NOTES:

- STANDARD: NEMA 2
- STANDARD PAINT: TEXTURED RED RAL3002
- ALL DIMENSIONS IN INCHES [MILLIMETERS]
SHIPPING WEIGHT IN POUNDS [KG]
- CENTER OF MARK III SCREEN: 61 5/8 [1564] FROM BOTTOM OF ENCLOSURE
- BOTTOM CONDUIT ENTRANCE THROUGH REMOVABLE GLAND PLATE RECOMMENDED
- USE WATERTIGHT CONDUIT AND CONNECTOR ONLY
- PROTECT EQUIPMENT AGAINST DRILLING CHIPS
- DOOR SWING EQUAL TO DOOR WIDTH
- DRAWINGS FOR CONSTRUCTION PURPOSES MUST BE OBTAINED FROM FIRETROL OR THE LOCAL FIRETROL REPRESENTATIVE
- SEISMIC MOUNTING TO BE RIGID WALL AND BASE ONLY

	SIZE A	BY	DATE	<p>© Firetrol, Inc. Not for construction. Subject to change without notice.</p>	REVISED VOLTAGES/POWER CHART		B	-	CIR	CIR	1-19-21	
	DRAWN BY	CIR	11-5-19		REVISION DESCRIPTION	REV	ECN NO	BY	APP	DATE		
	FINAL APPROVAL	CIR	11-5-19		DIMENSIONS & SHIPPING WEIGHT	FTA1300		DRAWING NUMBER				
	OPEN TRANSITION WYE DELTA FIRE PUMP CONTROLLER						DD1300-72					
					DWG REV	B	ECN NO	-	SHEET 1 OF 1			