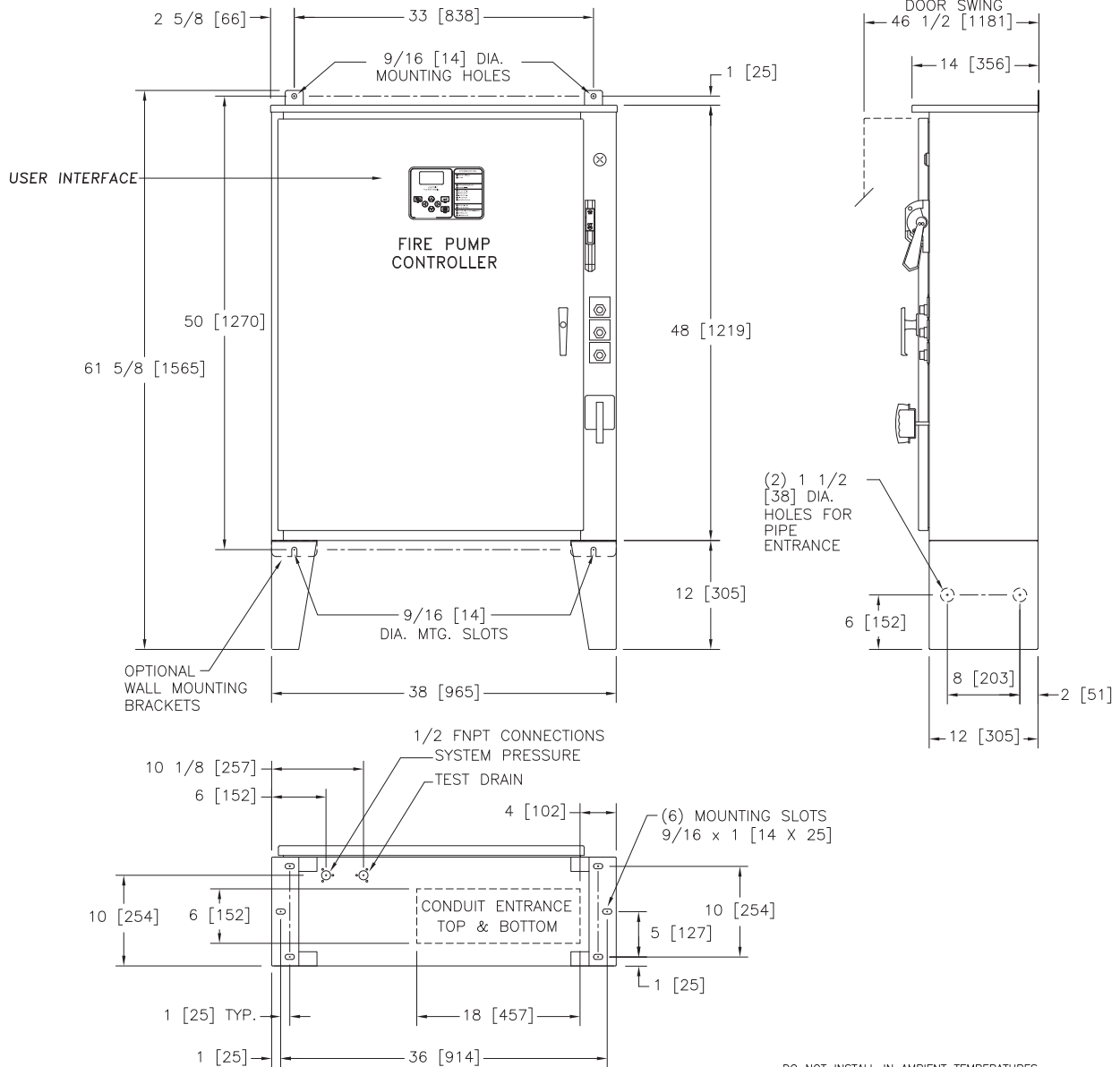




Mark IIx6 Electric Fire Pump Controllers

Dimensions and Shipping Weight

FTA1350 Wye-Delta Closed Transition Starting



DO NOT INSTALL IN AMBIENT TEMPERATURES BELOW 41°F [5°C].

ALL DIMENSIONS - INCHES [MM]
SHIPPING WEIGHT - POUNDS [KG]

THIS DIMENSION DRAWING COVERS FTA1350 CONTROLLERS AT THE HORSEPOWER, VOLTAGE AND WITHSTAND RATINGS AS LISTED IN THE TABLE. FOR OTHER HORSEPOWER OR WITHSTAND RATINGS, REFER TO ED1350-02

SPECIFICATIONS AND DIMENSIONS SUBJECT TO CHANGE WITHOUT NOTICE. DO NOT USE FOR CONSTRUCTION. REQUEST CONSTRUCTION DRAWINGS FROM FIRETROL OR YOUR LOCAL FIRETROL REPRESENTATIVE.

APPROXIMATE SHIPPING WEIGHT
380 [172]

STANDARD WITHSTAND RATINGS	
200-600V - 100,000 Amps RMS Sym.	
INTERMEDIATE WITHSTAND RATINGS	
200-600V - 150,000 Amps RMS Sym.	
HIGH WITHSTAND RATINGS	
200-600V - 200,000 Amps RMS Sym.	
LINE VOLTAGE	MOTOR HORSEPOWER
200	□ 3-60
208	□ 3-60
220-240	□ 3-60
380-415	□ 3-100
440-480	□ 3-150
550-600	□ 3-150

UPDATED TITLE BLOCK		C	280937	JMW	TEF	09-18-19
ADDED COMPONENTS TO MEET FM REQUIREMENTS		B	228551	JC	TEF	08-10-10
REVISION DESCRIPTION		REV	ECN NO	BY	APP	DATE
DIMENSIONS AND SHIPPING WEIGHT		FTA1350		DRAWING NUMBER		
CLOSED TRANSITION WYE-DELTA FIRE PUMP CONTROLLER				DD1350-52		
		DWG REV	C	ECN NO	280937	SHEET 1 OF 1

SIZE	A	BY	DATE
DRAWN BY	TEF	07-19-02	
FINAL APPROVAL	TEF	07-19-02	



© Firetrol, Inc. Not for construction. Subject to change without notice.