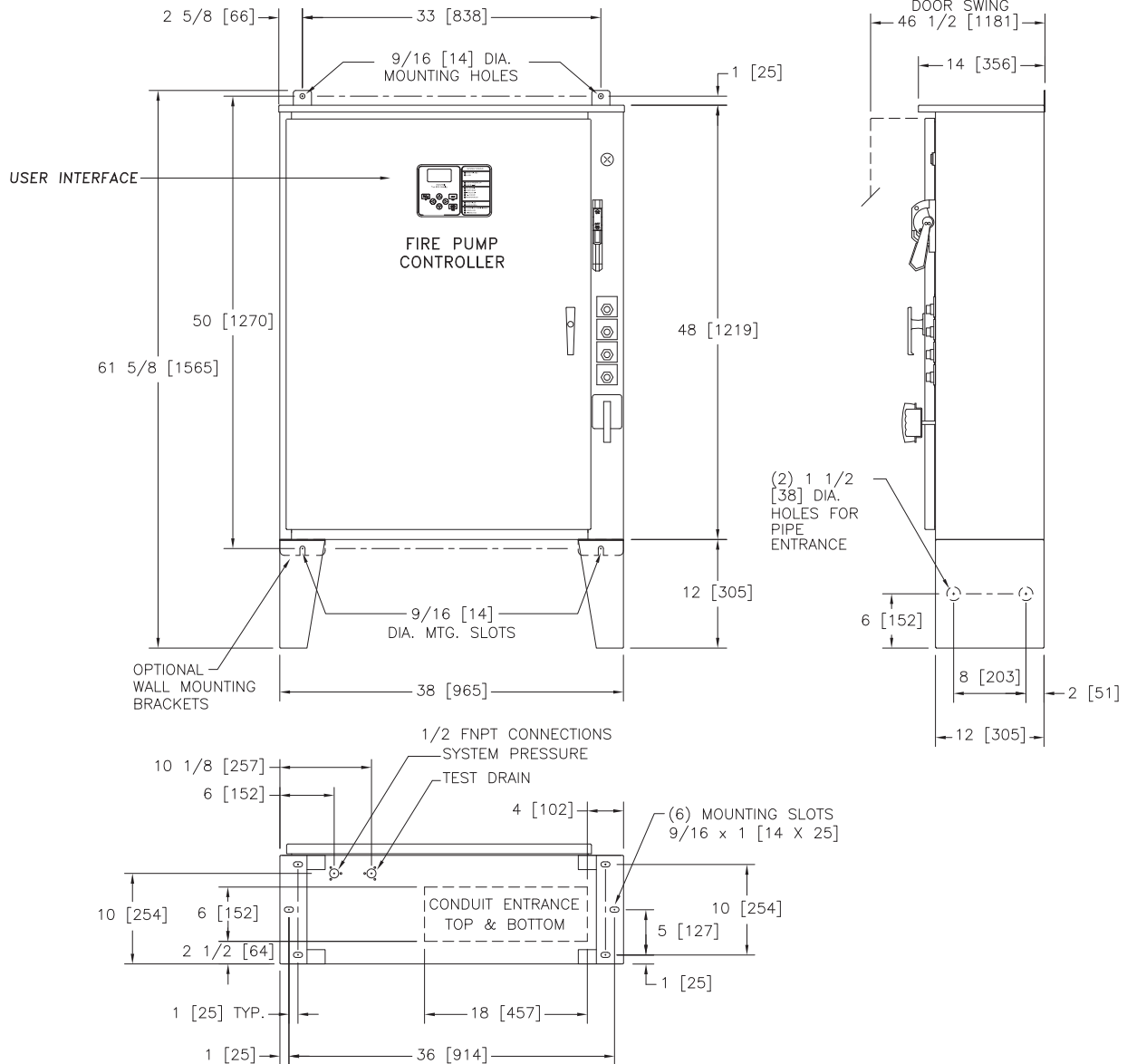




Mark IIx6 Electric Fire Pump Controllers

Dimensions and Shipping Weight FTA1930 Digital Solid State Reduced Current Starting



STANDARD WITHSTAND RATINGS	
200-600V	- 100,000 Amps RMS Sym.
INTERMEDIATE WITHSTAND RATINGS	
200-600V	- 150,000 Amps RMS Sym.
HIGH WITHSTAND RATINGS	
200-600V	- 200,000 Amps RMS Sym.
LINE VOLTAGE	MOTOR HORSEPOWER
200	□ 3-50
208	□ 3-50
220-240	□ 3-60
380-415	□ 3-75
440-480	□ 3-125
550-600	□ 3-150

APPROXIMATE SHIPPING WEIGHT
350 [158]

DO NOT INSTALL IN AMBIENT TEMPERATURES BELOW 41°F [5°C].

ALL DIMENSIONS - INCHES [MM]
SHIPPING WEIGHT - POUNDS [KG]

THIS DIMENSION DRAWING COVERS FTA1930 CONTROLLERS AT THE HORSEPOWER, VOLTAGE AND WITHSTAND RATINGS AS LISTED IN THE TABLE. FOR OTHER HORSEPOWER OR WITHSTAND RATINGS, REFER TO ED1930-02

SPECIFICATIONS AND DIMENSIONS SUBJECT TO CHANGE WITHOUT NOTICE. DO NOT USE FOR CONSTRUCTION. REQUEST CONSTRUCTION DRAWINGS FROM FIRETROL OR YOUR LOCAL FIRETROL REPRESENTATIVE.

THIRD ANGLE PROJECTION	SIZE	A	BY	DATE
	DRAWN BY	TEF	06-08-08	
	FINAL APPROVAL	TEF	06-09-08	



© Firetrol, Inc. Not for construction. Subject to change without notice.

UPDATED TITLE BLOCK		C	281239	JMW	TEF	10-07-19
ADDED COMPONENTS TO MEET FM REQUIREMENTS		B	228554	JC	TEF	06-11-10
REVISION DESCRIPTION		REV	ECN NO	BY	APP	DATE
DIMENSIONS AND SHIPPING WEIGHT		FTA1930		DRAWING NUMBER		
DIGITAL SOLID STATE REDUCED CURRENT FIRE PUMP CONTROLLER		DD1930-52				
DWG REV	C	ECN NO	281239	SHEET 1 OF 1		

All rights reserved. The drawing and the information contained or depicted herein are the sole property of Firetrol, Inc. Copies are communicated to the recipient in strict confidence and may not be retransmitted, published, reproduced, copied or used in any manner, including as the basis for the manufacture or sale of any products, without the express prior written consent of Firetrol, Inc.