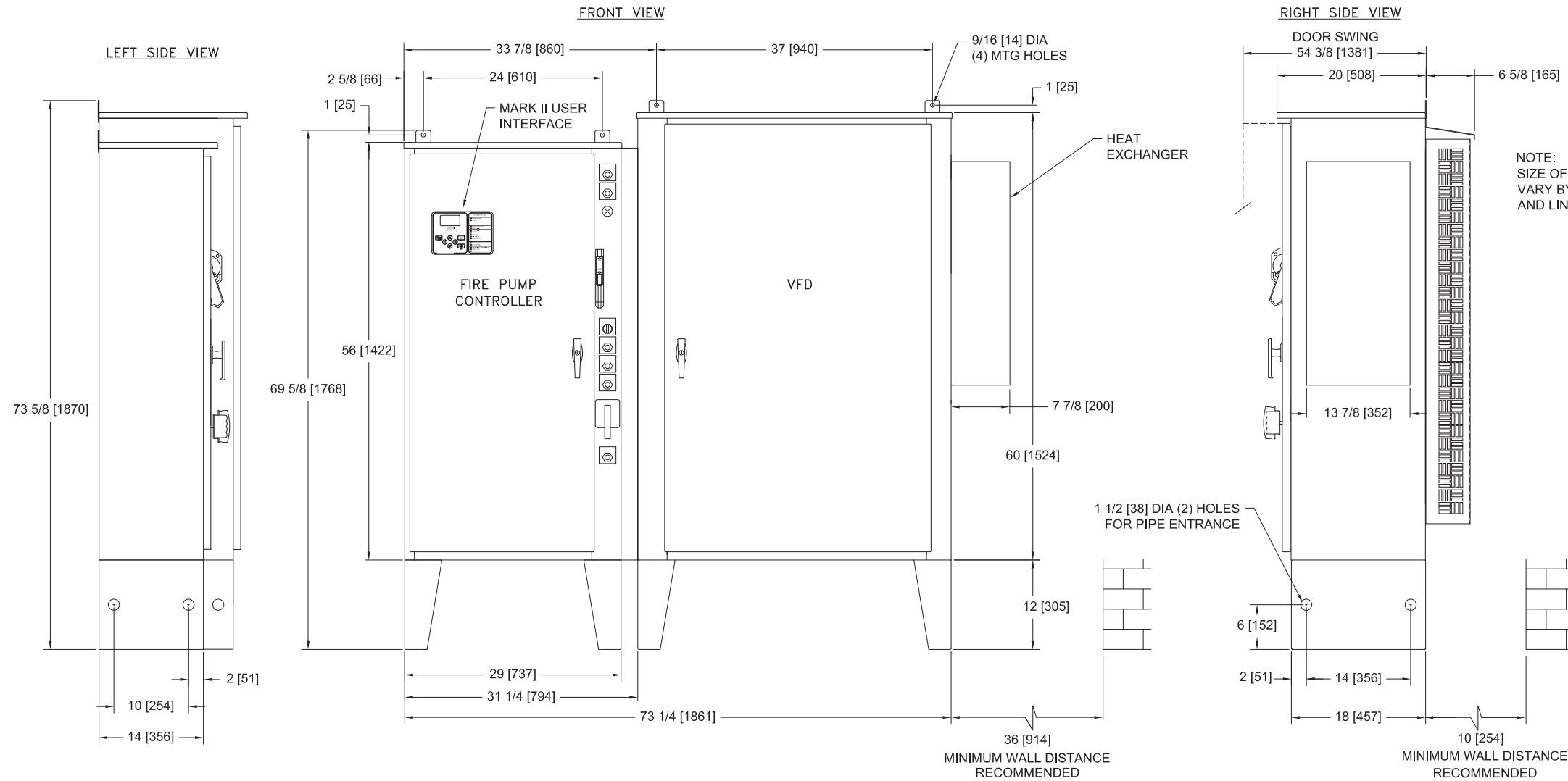


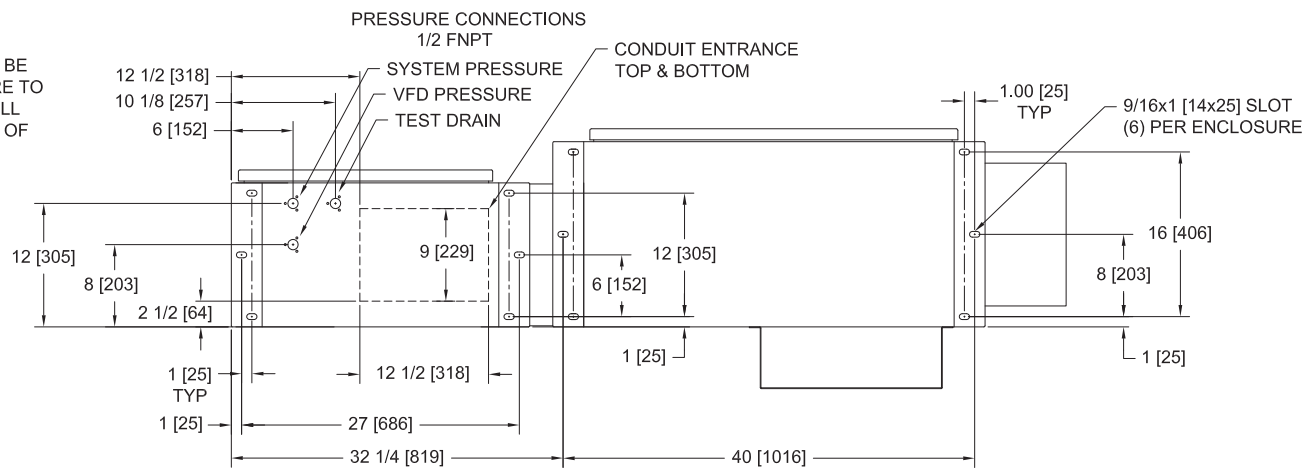
MarkIIx6 Electric Fire Pump Controllers - Variable Speed Starting with Across The Line Bypass



NOTE:  
SIZE OF HEAT EXCHANGERS  
VARY BY HORSEPOWER RATING  
AND LINE VOLTAGE

STANDARD WITHSTAND RATINGS 200-600V - 100,000 Amps RMS Sym.	
INTERMEDIATE WITHSTAND RATINGS 200-600V - 150,000 Amps RMS Sym.	
HIGH WITHSTAND RATINGS 200-600V - 200,000 Amps RMS Sym.	
LINE VOLTAGE	MOTOR HORSEPOWER
200-208	□ 50-100
220-240	□ 50-125
380-415	□ 100-150
440-480	□ 125-250
550-600	□ 100-150

NOTE:  
TEST DRAIN CONNECTION MUST BE  
PIPED TO WASTE DRAIN. FAILURE TO  
CONNECT TO A FLOOR DRAIN WILL  
RESULT IN UNSAFE CONDITIONS OF  
STANDING WATER AROUND  
CONTROLLER



- NOTES:
- DO NOT INSTALL IN AMBIENT TEMPERATURES ABOVE 40°C [104°F] OR BELOW 5°C [41°F]
  - ALL DIMENSIONS IN INCHES [MM]
  - FOR HORSEPOWER OR WITHSTAND RATINGS NOT LISTED IN THIS TABLE, REFER TO ED3100M-01
  - DRAWINGS USED FOR CONSTRUCTION PURPOSES MUST BE OBTAINED FROM FIRETROL OR THE LOCAL FIRETROL REPRESENTATIVE
  - ALL CONTROLLERS TO BE A MINIMUM NEMA TYPE 12

THIRD ANGLE PROJECTION	SIZE	B	BY	DATE
	DRAWN BY	JMW	5-1-19	
	FINAL APPROVAL	CIR	5-1-19	

**Firetrol, Inc.**  
© Firetrol, Inc. Not for construction.  
Subject to change without notice.

RELEASED	-	277014	JMW	CIR	5-1-19
REVISION DESCRIPTION	REV	ECN NO	BY	APP	DATE
ENCLOSURE DIMENSIONS	FTA3100M				
VFD ELECTRIC FIRE PUMP CONTROLLER WITH FULL VOLTAGE BYPASS			DRAWING NUMBER <b>DD3100M-03</b>		
DWG REV	-	ECN NO	277014	SHEET 1 OF 1	