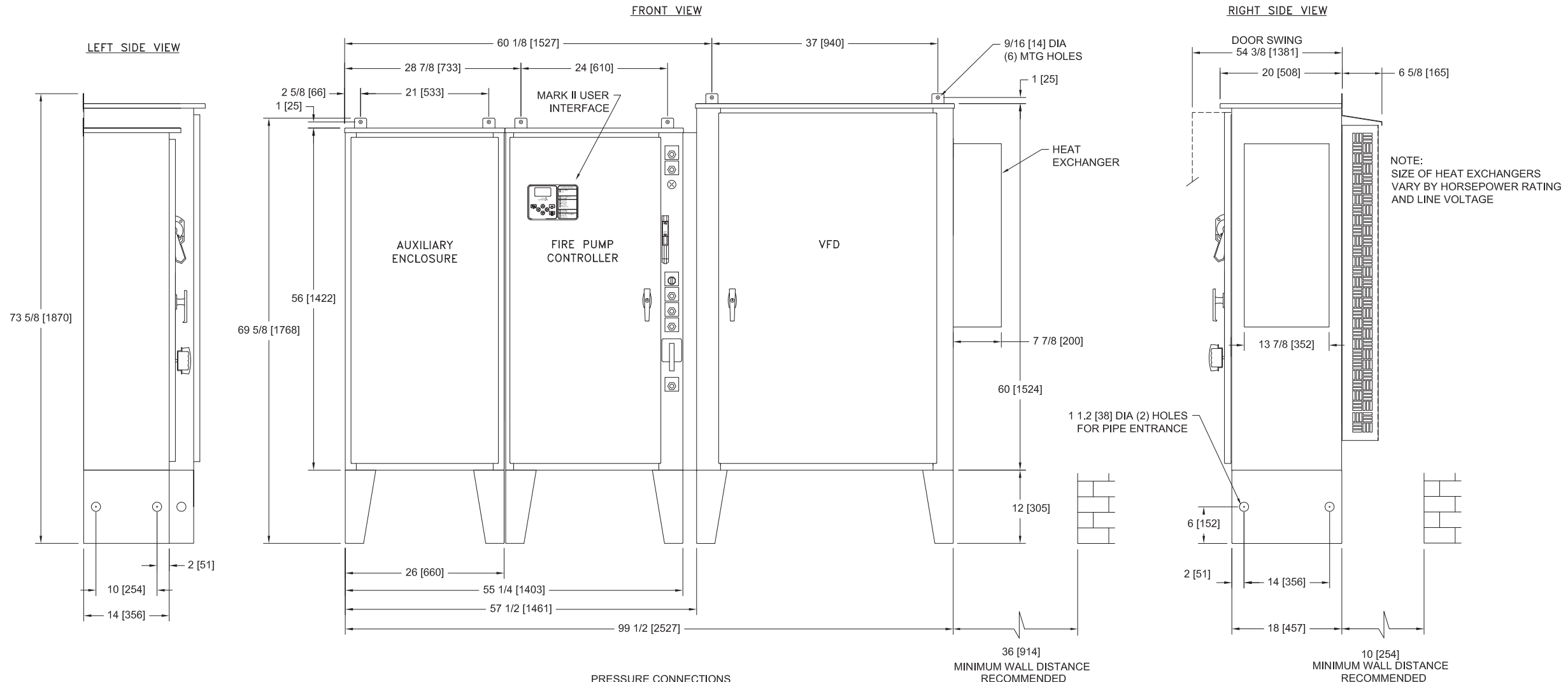


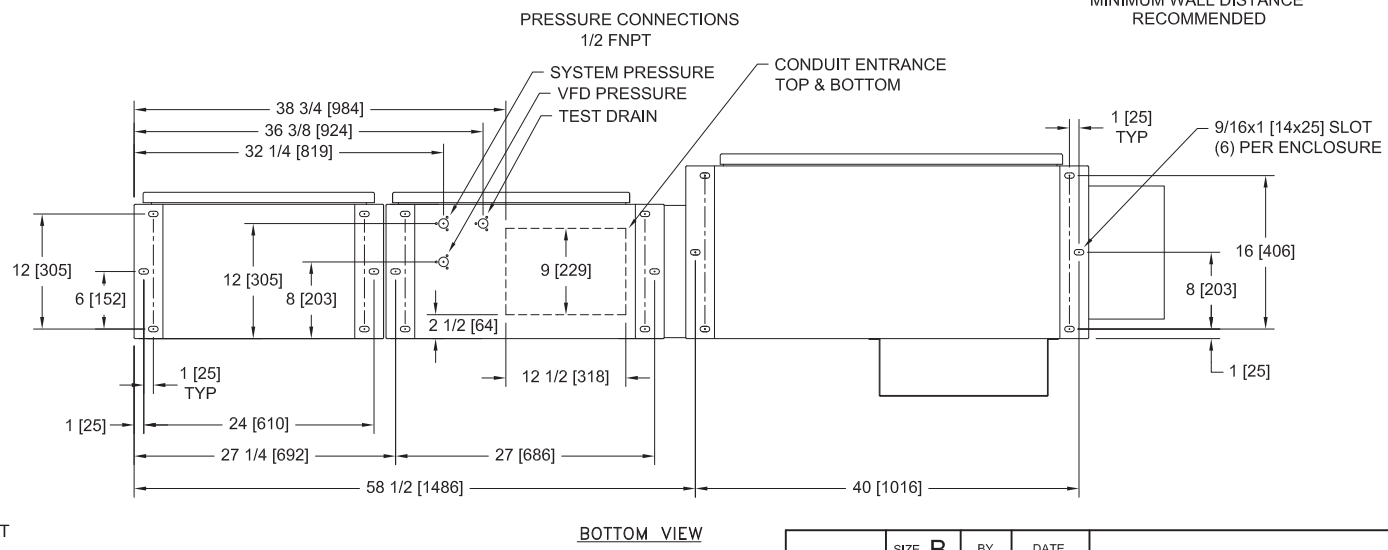


MarkIIxG Electric Fire Pump Controllers - Variable Speed Starting with Autotransformer Bypass



NOTE:
SIZE OF HEAT EXCHANGERS
VARY BY HORSEPOWER RATING
AND LINE VOLTAGE

NOTE:
TEST DRAIN CONNECTION MUST BE
PIPED TO WASTE DRAIN. FAILURE TO
CONNECT TO A FLOOR DRAIN WILL
RESULT IN UNSAFE CONDITIONS OF
STANDING WATER AROUND
CONTROLLER



STANDARD WITHSTAND RATINGS 200-600V - 100,000 Amps RMS Sym.	
INTERMEDIATE WITHSTAND RATINGS 200-600V - 150,000 Amps RMS Sym.	
HIGH WITHSTAND RATINGS 200-600V - 200,000 Amps RMS Sym.	
LINE VOLTAGE	MOTOR HORSEPOWER
200-208	□ 50-100
220-240	□ 50-125
380-415	□ 100-150
440-480	□ 125-250
550-600	□ 100-150

- NOTES:
- DO NOT INSTALL IN AMBIENT TEMPERATURES ABOVE 40°C [104°F] OR BELOW 5°C [41°F]
 - ALL DIMENSIONS IN INCHES [MM]
 - FOR HORSEPOWER OR WITHSTAND RATINGS NOT LISTED IN THIS TABLE, REFER TO ED3110M-01
 - DRAWINGS USED FOR CONSTRUCTION PURPOSES MUST BE OBTAINED FROM FIRETROL OR THE LOCAL FIRETROL REPRESENTATIVE
 - ALL CONTROLLERS TO BE A MINIMUM NEMA TYPE 12

	SIZE B	BY	DATE	<p>© Firetrol, Inc. Not for construction. Subject to change without notice.</p>	RELEASED	-	276990	JMW	CIR	5-8-19	
	DRAWN BY	JMW	5-8-19		REVISION DESCRIPTION	REV	ECN NO	BY	APP	DATE	
	FINAL APPROVAL	CIR	5-8-19		ENCLOSURE DIMENSIONS	FTA3110M		DRAWING NUMBER		DD-3110M-04	
					VFD ELECTRIC FIRE PUMP CONTROLLER WITH AUTOTRANSFORMER BYPASS	DWG REV	-	ECN NO	276990	SHEET 1 OF 1	

All rights reserved. The drawing and the information contained or depicted herein are the sole property of Firetrol, Inc. Copies are communicated to the recipient in strict confidence and may not be retransmitted, published, reproduced, copied or used in any manner, including as the basis for the manufacture or sale of any products, without the express prior written consent of Firetrol, Inc.