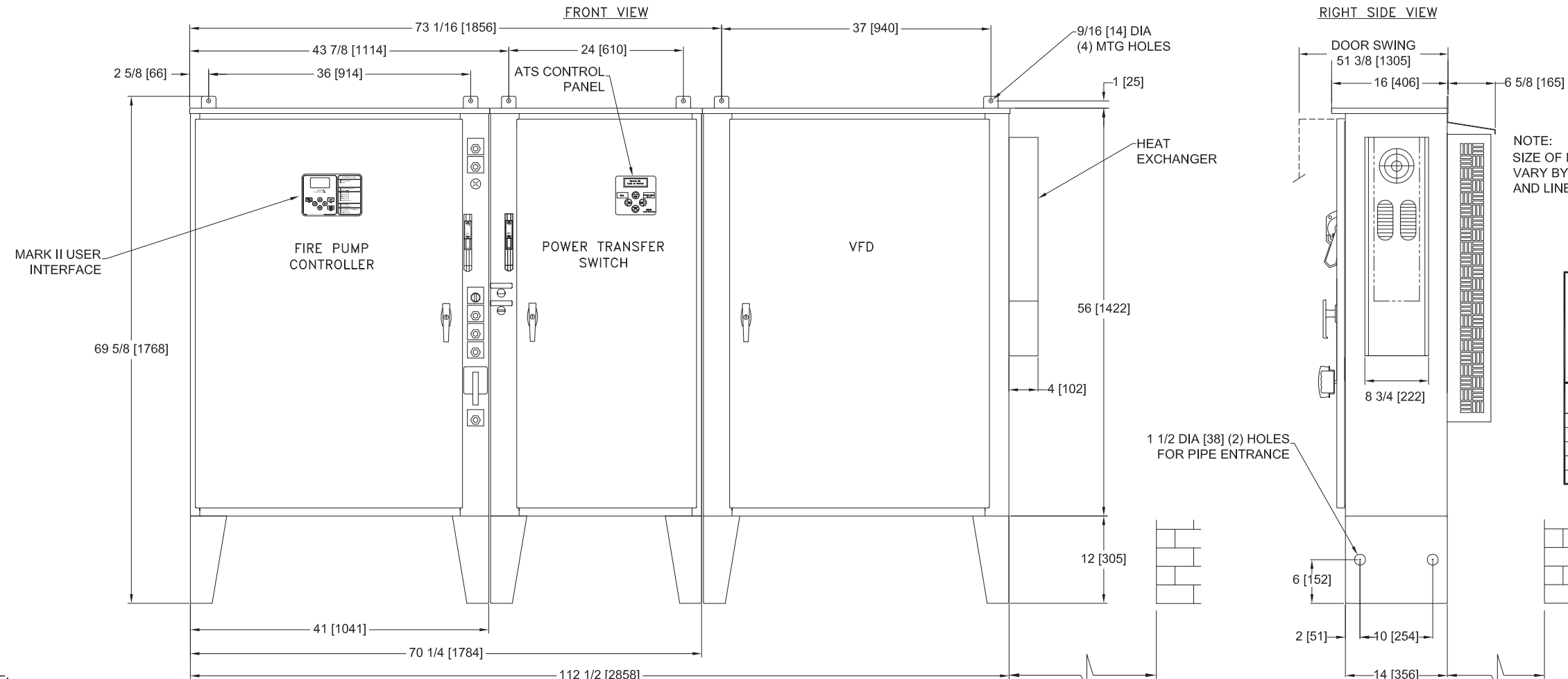


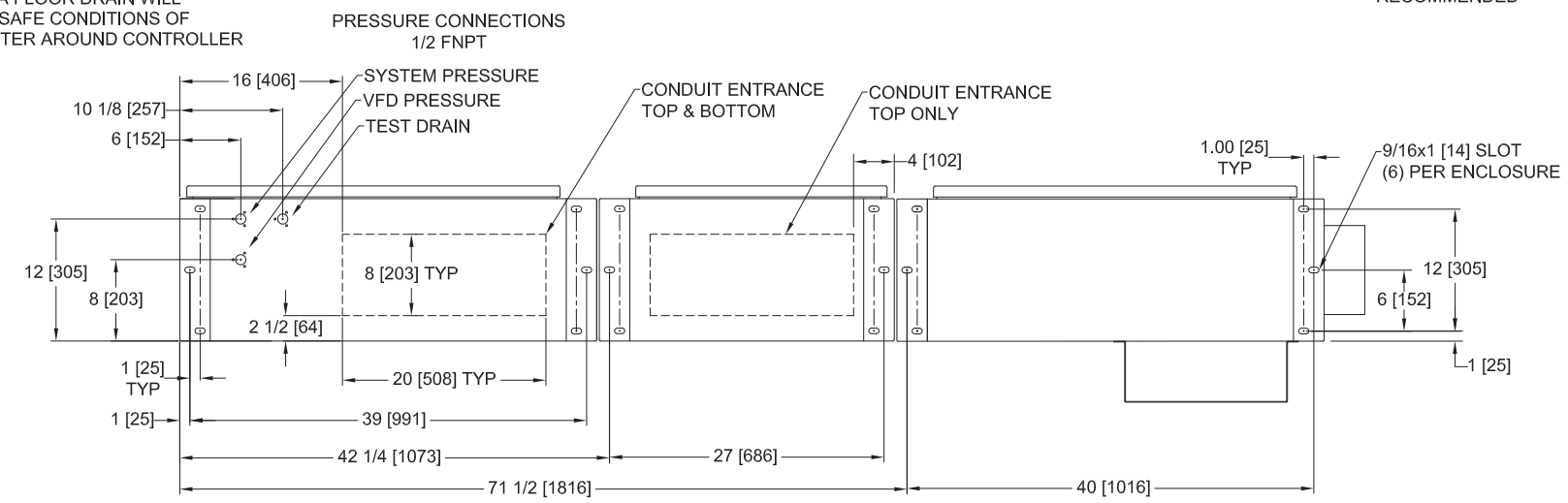
MarkIIx6 Electric Fire Pump Controllers - Variable Speed Starting with Solid State Soft Starting Bypass and Power Transfer Switch



NOTE:
SIZE OF HEAT EXCHANGERS VARY BY HORSEPOWER RATING AND LINE VOLTAGE

STANDARD WITHSTAND RATINGS 200-600V - 100,000 Amps RMS Sym.	
INTERMEDIATE WITHSTAND RATINGS 200-600V - 150,000 Amps RMS Sym.	
HIGH WITHSTAND RATINGS 200-600V - 200,000 Amps RMS Sym.	
LINE VOLTAGE	MOTOR HORSEPOWER
200-208	□ 40
220-240	□ 40
380-415	□ 75
440-480	□ 75-100
550-600	□ 60-75

NOTE:
TEST DRAIN CONNECTION MUST BE PIPED TO WASTE DRAIN. FAILURE TO CONNECT TO A FLOOR DRAIN WILL RESULT IN UNSAFE CONDITIONS OF STANDING WATER AROUND CONTROLLER



- NOTES:
- DO NOT INSTALL IN AMBIENT TEMPERATURES ABOVE 40°C [104°F] OR BELOW 5°C [41°F]
 - ALL DIMENSIONS IN INCHES [MM]
 - FOR HORSEPOWER OR WITHSTAND RATINGS NOT LISTED IN THIS TABLE, REFER TO ED3130M-01
 - DRAWINGS USED FOR CONSTRUCTION PURPOSES MUST BE OBTAINED FROM FIRETROL OR THE LOCAL FIRETROL REPRESENTATIVE
 - ALL CONTROLLERS TO BE A MINIMUM NEMA TYPE 12

	SIZE	B	BY	DATE	<p>© Firetrol, Inc. Not for construction. Subject to change without notice.</p>	RELEASED	-	278060	JMW	CIR	5-15-19	
	DRAWN BY	JMW	5-15-19	REV		ECN NO	BY	APP	DATE			
	FINAL APPROVAL	CIR	5-15-19	ENCLOSURE DIMENSIONS		FTA3130M WITH FTA950		DRAWING NUMBER		DD3130M-12		
				VFD ELECTRIC FIRE PUMP CONTROLLER WITH SOFT START BYPASS AND POWER TRANSFER SWITCH				DWG REV	ECN NO	278060	SHEET 1 OF 1	

All rights reserved. The drawing and the information contained or depicted herein are the sole property of Firetrol, Inc. Copies are communicated to the recipient in strict confidence and may not be retransmitted, published, reproduced, copied or used in any manner, including as the basis for the manufacture or sale of any products, without the express prior written consent of Firetrol, Inc.