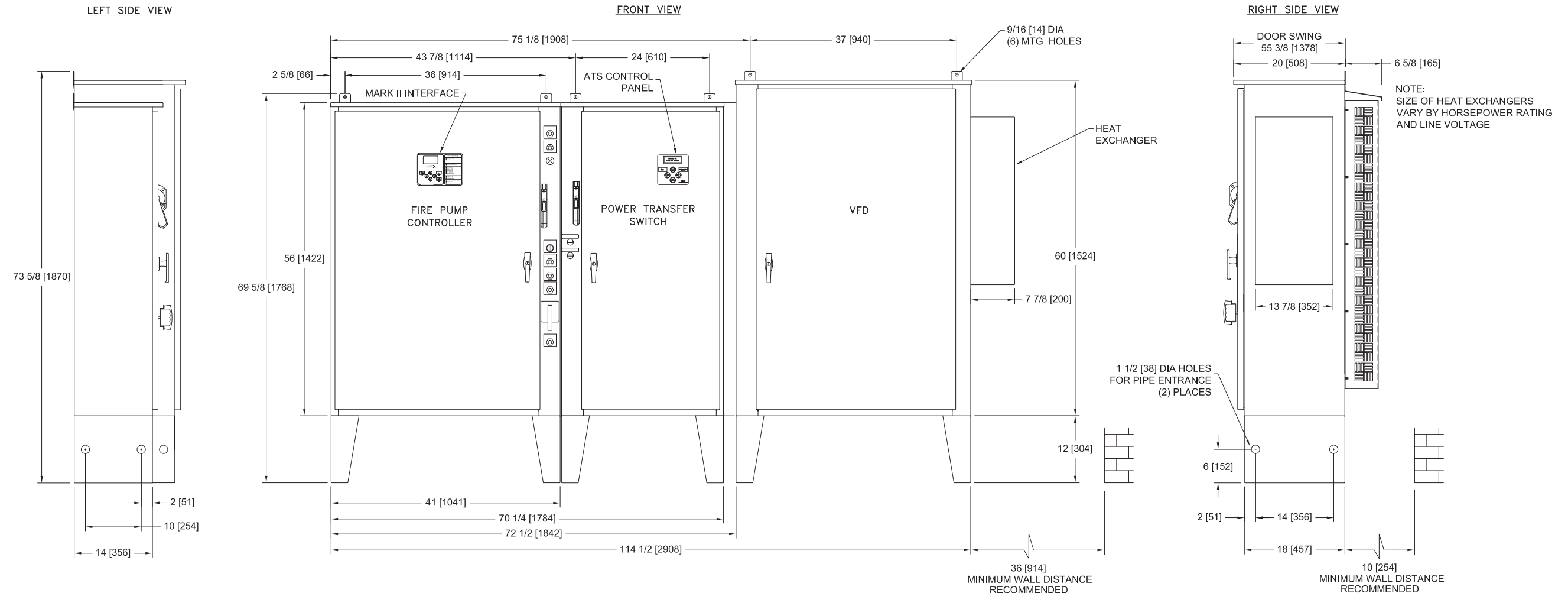
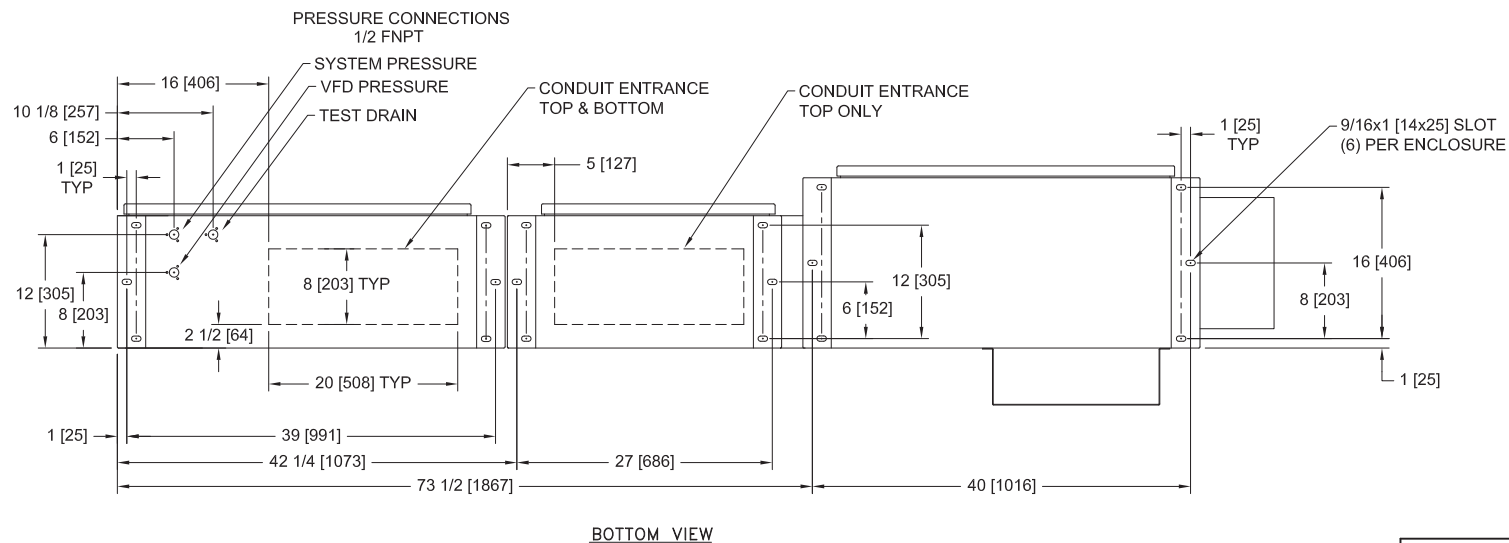


MarkIIx6 Electric Fire Pump Controllers - Variable Speed Starting with Solid State Soft Starting Bypass and Power Transfer Switch



NOTE:  
TEST DRAIN CONNECTION MUST BE PIPED TO WASTE DRAIN. FAILURE TO CONNECT TO A FLOOR DRAIN WILL RESULT IN UNSAFE CONDITIONS OF STANDING WATER AROUND CONTROLLER



- NOTES:
- DO NOT INSTALL IN AMBIENT TEMPERATURES ABOVE 40°C [104°F] OR BELOW 5°C [41°F]
  - ALL DIMENSIONS IN INCHES [MM]
  - FOR HORSEPOWER OR WITHSTAND RATINGS NOT LISTED IN THIS TABLE, REFER TO ED3130M-01
  - DRAWINGS USED FOR CONSTRUCTION PURPOSES MUST BE OBTAINED FROM FIRETROL OR THE LOCAL FIRETROL REPRESENTATIVE
  - ALL CONTROLLERS TO BE A MINIMUM NEMA TYPE 12

STANDARD WITHSTAND RATINGS 200-600V - 100,000 Amps RMS Sym.	
INTERMEDIATE WITHSTAND RATINGS 200-600V - 150,000 Amps RMS Sym.	
HIGH WITHSTAND RATINGS 200-600V - 200,000 Amps RMS Sym.	
LINE VOLTAGE	MOTOR HORSEPOWER
200-208	□ 50
220-240	□ 50-60
380-415	□ -
440-480	□ 125
550-600	□ 100-150

THIRD ANGLE PROJECTION	SIZE B	BY	DATE
	DRAWN BY	JMW	5-15-19
	FINAL APPROVAL	CIR	5-15-19



REVISED CHART		A	278060	JMW	CIR	5-15-19
REVISION DESCRIPTION		REV	ECN NO	BY	APP	DATE
ENCLOSURE DIMENSIONS		FTA3130M WITH FTA950		DRAWING NUMBER		
VFD ELECTRIC FIRE PUMP CONTROLLER WITH SOFT START BYPASS AND POWER TRANSFER SWITCH		A		ECN NO 278060		SHEET 1 OF 1

All rights reserved. The drawing and the information contained or depicted herein are the sole property of Firetrol, Inc. Copies are communicated to the recipient in strict confidence and may not be retransmitted, published, reproduced, copied or used in any manner, including as the basis for the manufacture or sale of any products, without the express prior written consent of Firetrol, Inc.