



© Firetrol, Inc. Not for construction.
Subject to change without notice.

	BY	DD/MM/YY
DRAWN BY	ZS	10/07/23
FINAL APPROVAL	FC	10/07/23

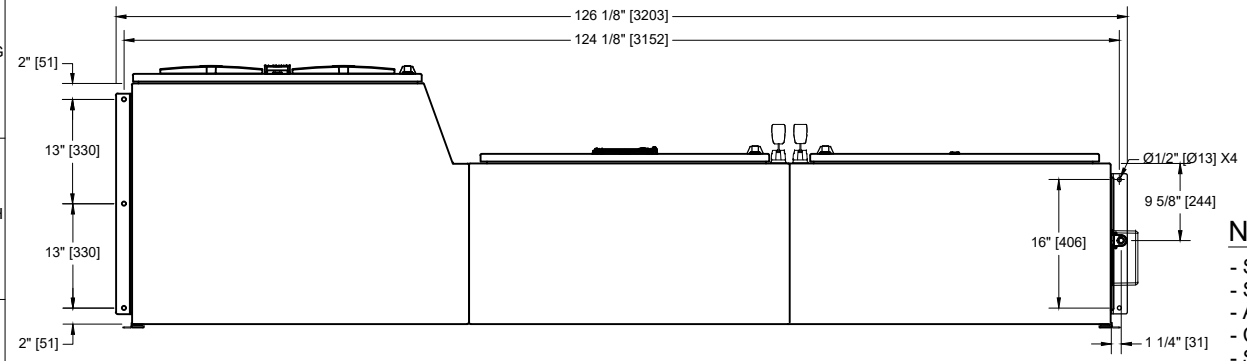
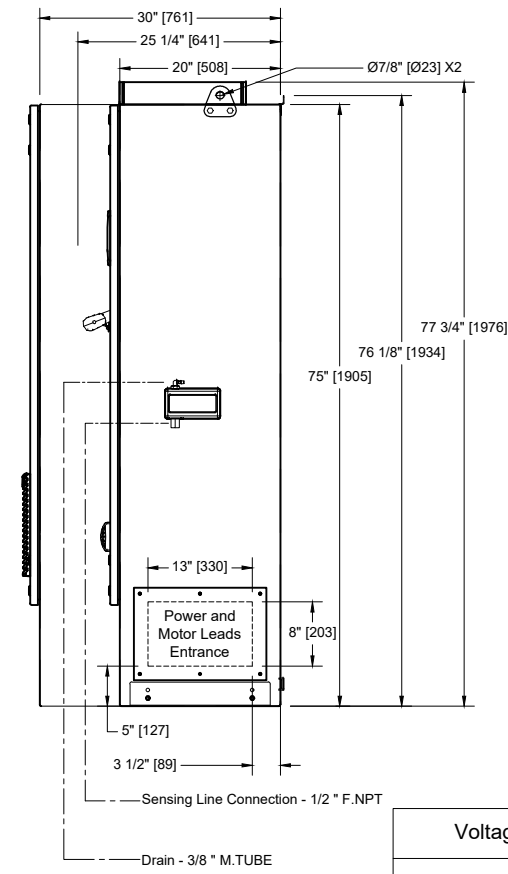
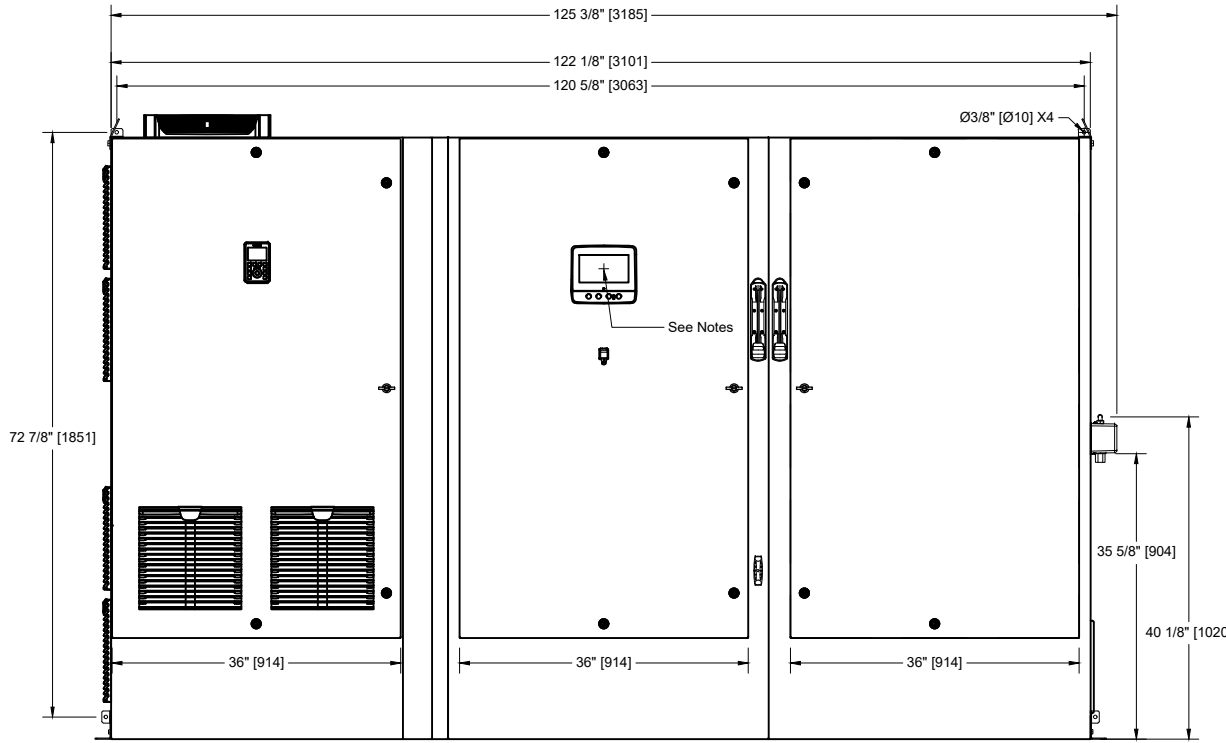
ELECTRIC FIRE PUMP CONTROLLER WITH AUTOMATIC TRANSFER SWITCH

FTA3100S / FTA3130S + TSA

BUILT TO THE LATEST EDITION OF THE NFPA20 & NFPA70



DRAWING NUMBER	DD31X0S-814/E
DWG REV. 0	
SHEET 1 OF 1	



Voltage	Min HP	Max HP
380 - 400 - 415	200	250
440 - 480	250	300

- Notes:**
- Standard: NEMA 12
 - Standard paint : textured red RAL 3002.
 - All dimensions are in inches [millimeters].
 - Center of screen: 29-5/8" [751] from bottom (no feet).
 - Side conduit entrance through removable gland plate recommended.
 - Use watertight conduit and connector only.
 - Protect equipment against drilling chips.
 - Door swing equal to door width.