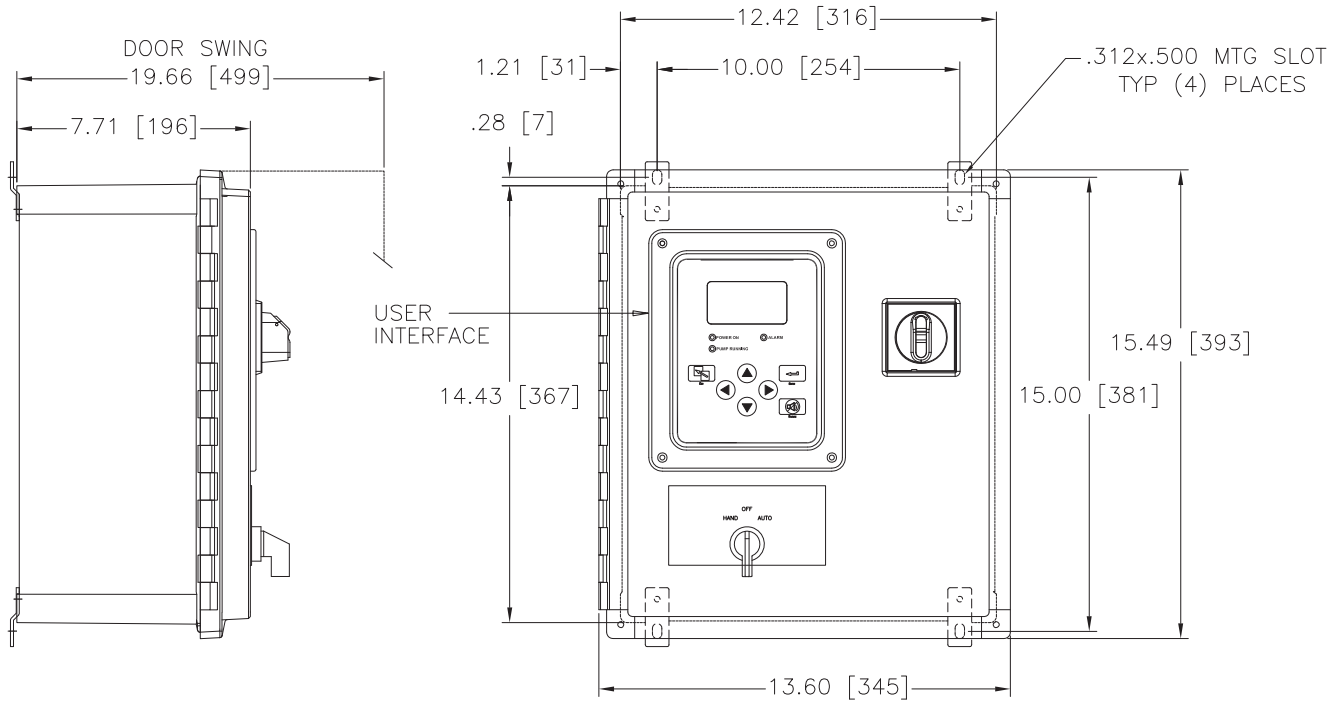


Dimensions and Shipping Weight



FTA550F

Limited Option Jockey_{XG} Pump Controllers



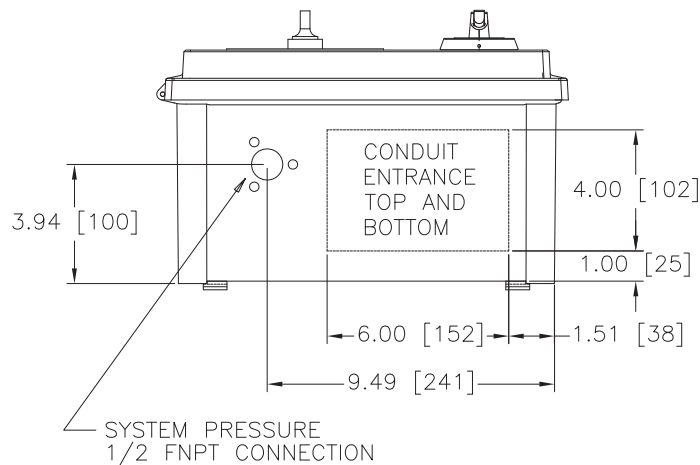
NOTE

CONDUIT ENTRANCE TOP AND BOTTOM ONLY DO NOT ENTER FROM SIDES.

CAUTION

BONDING BETWEEN CONDUIT CONNECTIONS IS NOT AUTOMATIC AND MUST BE PROVIDED AS PART OF THE INSTALLATION.

DIMENSIONS SHOWN ON THIS DRAWING ARE APPLICABLE FOR NEMA TYPES 2/3R/4/4X/12



SHIPPING WEIGHT
APPROX. 15 [6.8]

MAXIMUM MOTOR HORSEPOWER				
200-208V	220-240V	380-415V	440-480V	550-600V
7 1/2	10	15	20	20

ALL DIMENSIONS - INCHES [MM]
SHIPPING WEIGHT - POUNDS [KG]

	SIZE	A	BY	DATE	<p>© Firetrol, Inc. Not for construction. Subject to change without notice.</p>	UPDATED TITLE BLOCK				A	280587	JMW	TEF	08-28-19
	DRAWN BY	TEF	02-29-12	REVISION DESCRIPTION				REV	ECN NO	BY	APP	DATE		
	FINAL APPROVAL	TEF	02-29-12	DIMENSIONS & SHIPPING WEIGHT		FTA550F		DRAWING NUMBER						
	JOCKEY XG PUMP CONTROLLER (POLYCARBONATE)		DD550-01			DWG REV	A	ECN NO	280587	SHEET 1 OF 1				

All rights reserved. The drawing and the information contained or depicted herein are the sole property of Firetrol, Inc. Copies are communicated to the recipient in strict confidence and may not be retransmitted, published, reproduced, copied or used in any manner, including as the basis for the manufacture or sale of any products, without the express prior written consent of Firetrol, Inc.