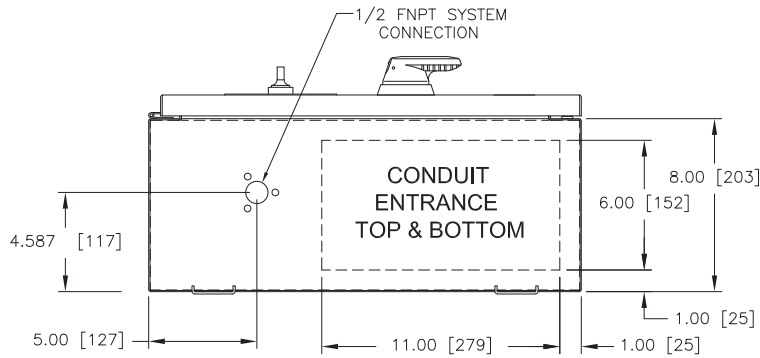
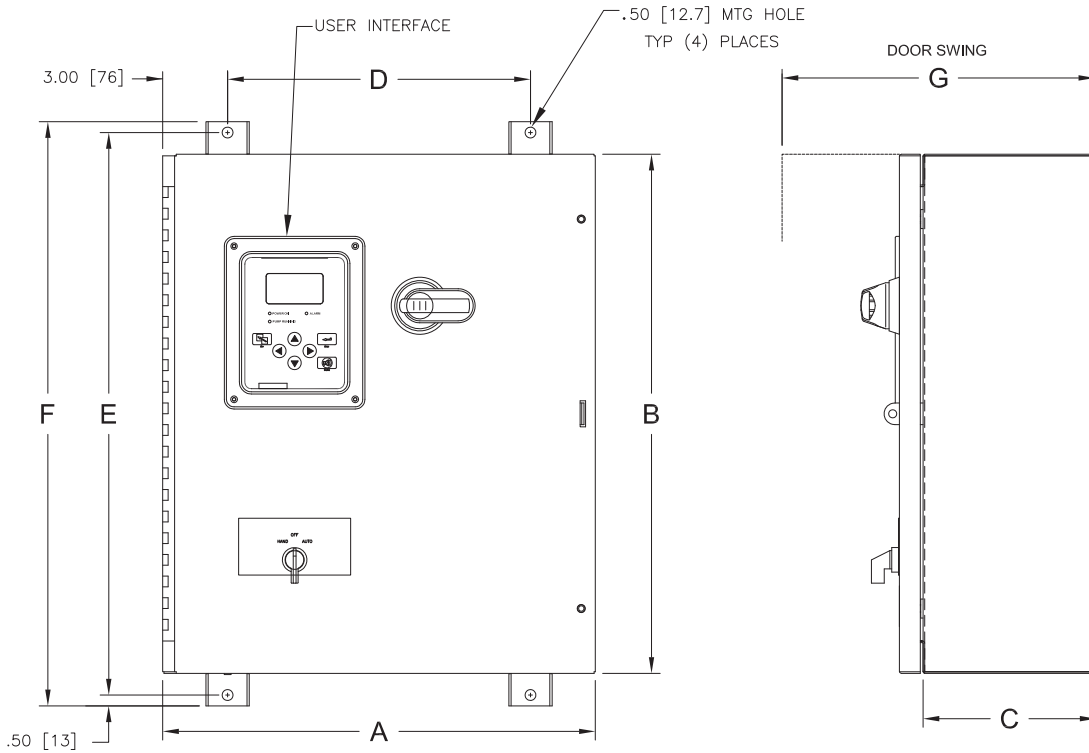


# Dimensions and Shipping Weight



FTA556E

## Jockey<sub>XG</sub> Pump Controllers - Wye-Delta Open Transition Starting



MAXIMUM HORSEPOWER					DIMENSIONS - INCHES [MILLIMETERS]							APPROX. SHIPPING WEIGHT LBS [KG]
200-208 VOLTS	220-240 VOLTS	380-415 VOLTS	440-480 VOLTS	550-600 VOLTS	A WIDE	B HIGH	C DEEP	D	E	F	G	
20	30	40	50	60	20 [508]	24 [610]	8 [203]	14 [356]	26 [660]	27 [686]	28 [712]	80 [36.2]
40	50	60	75	100	24 [610]	30 [762]	8 [203]	16 [406]	32 [812]	33 [838]	32 [812]	100 [45.5]

	SIZE	A	BY	DATE	UPDATED TITLE BLOCK				A	280596	JMW	TEF	08-28-19
	DRAWN BY	CIR	06-12-13	REVISION DESCRIPTION				REV	ECN NO	BY	APP	DATE	
	FINAL APPROVAL	TEF	06-12-13	DIMENSIONS & SHIPPING WEIGHT				FTA556E		DRAWING NUMBER			
					WYE-DELTA JOCKEY XG PUMP CONTROLLER				DD556-05				
© Firetrol, Inc. Not for construction. Subject to change without notice.								DWG REV	A	ECN NO	280596	SHEET 1 OF 1	

All rights reserved. The drawing and the information contained or depicted herein are the sole property of Firetrol, Inc. Copies are communicated to the recipient in strict confidence and may not be retransmitted, published, reproduced, copied or used in any manner, including as the basis for the manufacture or sale of any products, without the express prior written consent of Firetrol, Inc.