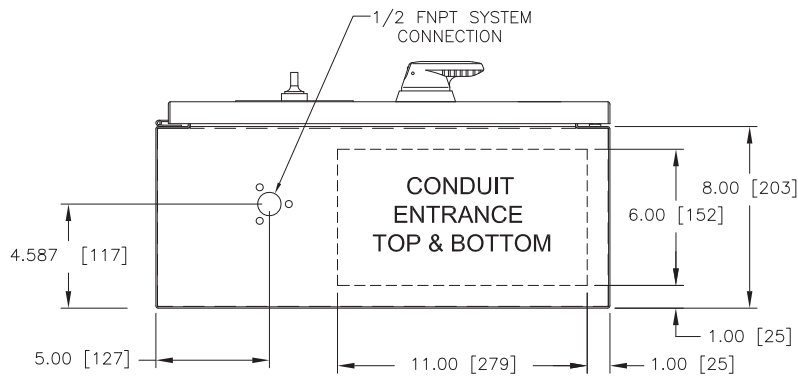
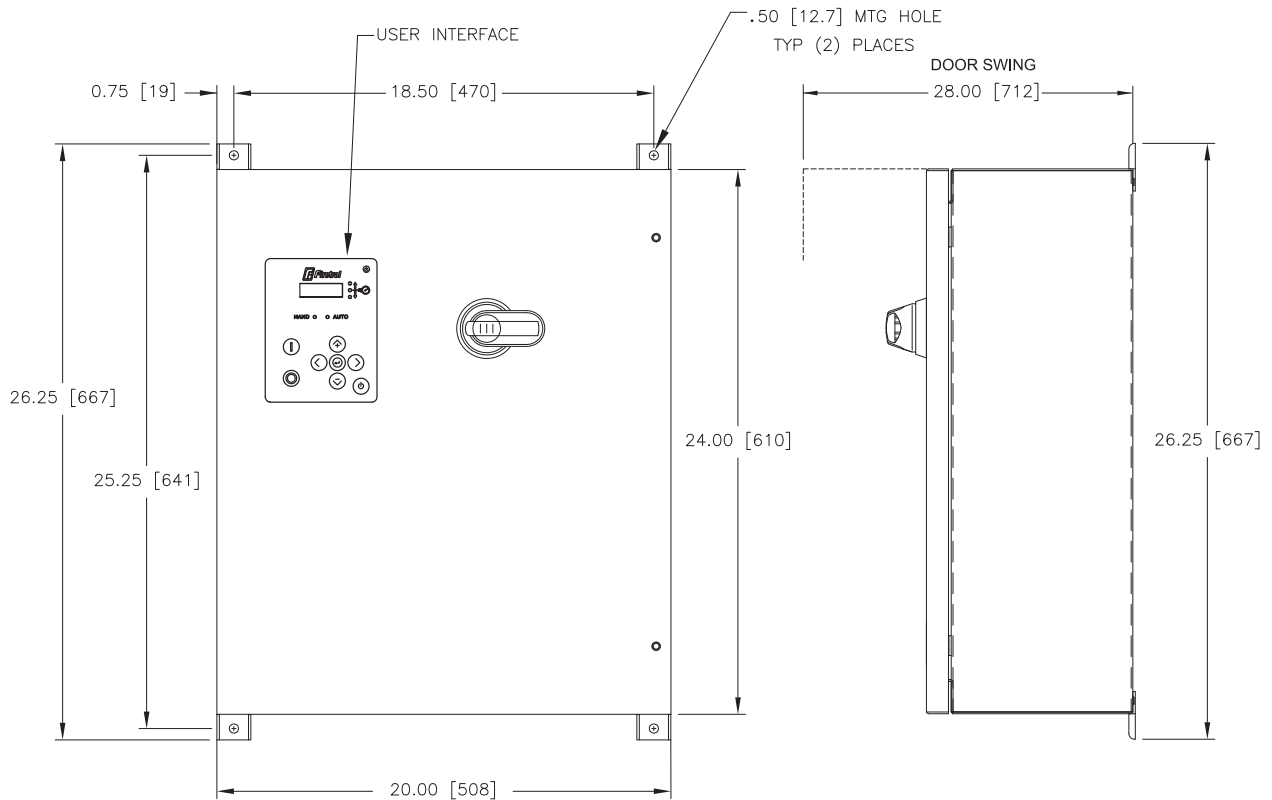


# Dimensions and Shipping Weight



FTA560E



SHIPPING WEIGHT  
APPROX. 45 [20.4]

ALL DIMENSIONS - INCHES [MM]  
SHIPPING WEIGHT - POUNDS [KG]

**NOTES:**

FOR ADDITIONAL HORSEPOWER RATINGS CONSULT FACTORY.

DIMENSIONS SHOWN ON THIS DRAWING ARE APPLICABLE FOR NEMA TYPES 2 - 3R - 4 - 4X - 12

USE WATERTIGHT CONDUIT AND CONNECTOR ONLY.

MAXIMUM MOTOR HORSEPOWER				
200-208V	220-240V	380-415V	440-480V	550-600V
25	30	40	50	50

	SIZE <b>A</b>	BY	DATE	<p>© Firetrol, Inc. Not for construction. Subject to change without notice.</p>	REVISION DESCRIPTION		REV	ECN NO	BY	APP	DATE
	DRAWN BY	TEF	10/26/21		DIMENSIONS AND SHIPPING WEIGHT	FTA560E	DRAWING NUMBER				
	FINAL APPROVAL	TEF	10/26/21		FTA560E JOCKEY PUMP CONTROLLER	DD560-05					
							DWG REV	ECN NO	SHEET 1 OF 1		

All rights reserved. The drawing and the information contained or depicted herein are the sole property of Firetrol, Inc. Copies are communicated to the recipient in strict confidence and may not be retransmitted, published, reproduced, copied or used in any manner, including as the basis for the manufacture or sale of any products, without the express prior written consent of Firetrol, Inc.