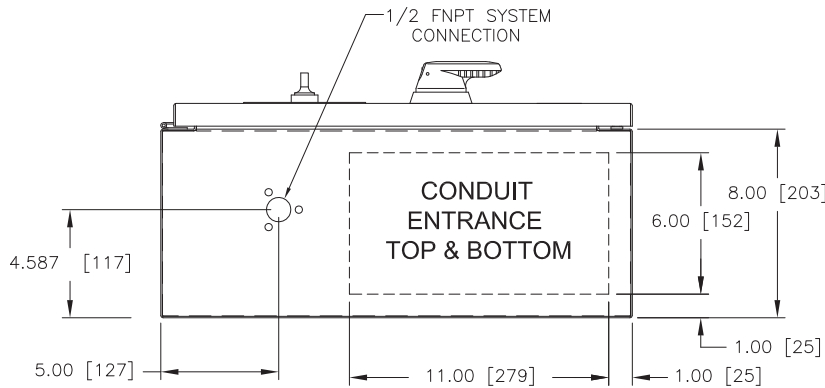
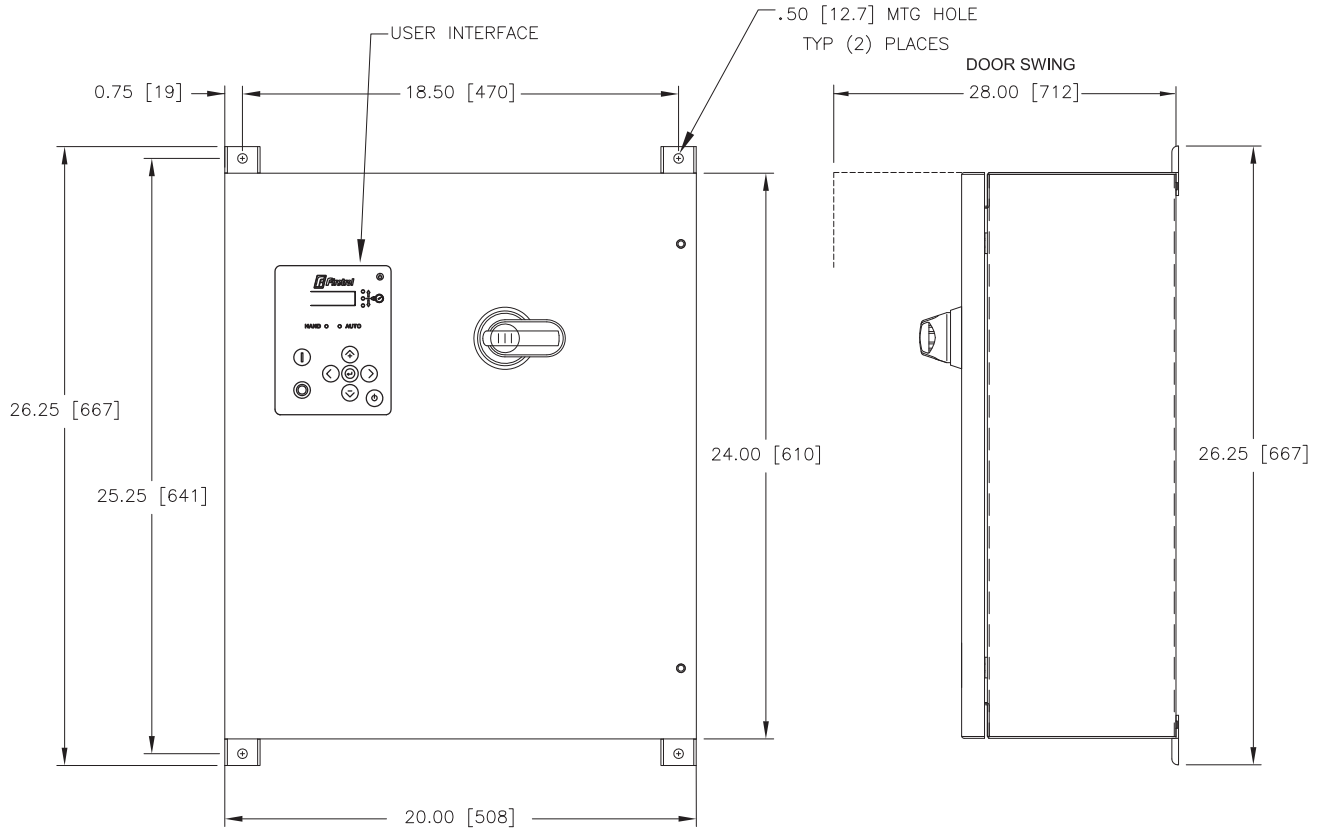


Jockey Pump Controllers - Wye-Delta Open Transition Starting



SHIPPING WEIGHT
APPROX. 45 [20.4]

ALL DIMENSIONS - INCHES [MM]
SHIPPING WEIGHT - POUNDS [KG]

NOTES:

FOR ADDITIONAL HORSEPOWER RATINGS CONSULT FACTORY.

DIMENSIONS SHOWN ON THIS DRAWING ARE APPLICABLE FOR NEMA TYPES 2 - 3R - 4 - 4X - 12

USE WATERTIGHT CONDUIT AND CONNECTOR ONLY.

MAXIMUM MOTOR HORSEPOWER				
200-208V	220-240V	380-415V	440-480V	550-600V
25	30	40	50	50

	SIZE A	BY	DATE	<p>© Firetrol, Inc. Not for construction. Subject to change without notice.</p>	REVISION DESCRIPTION		REV	ECN NO	BY	APP	DATE	
	DRAWN BY	TEF	11/23/21		DIMENSIONS AND SHIPPING WEIGHT	FTA566E	DRAWING NUMBER		DD566-05			
	FINAL APPROVAL	TEF	11/23/21		FTA566E WYE-DELTA JOCKEY PUMP CONTROLLER			DWG REV	ECN NO	SHEET 1 OF 1		