

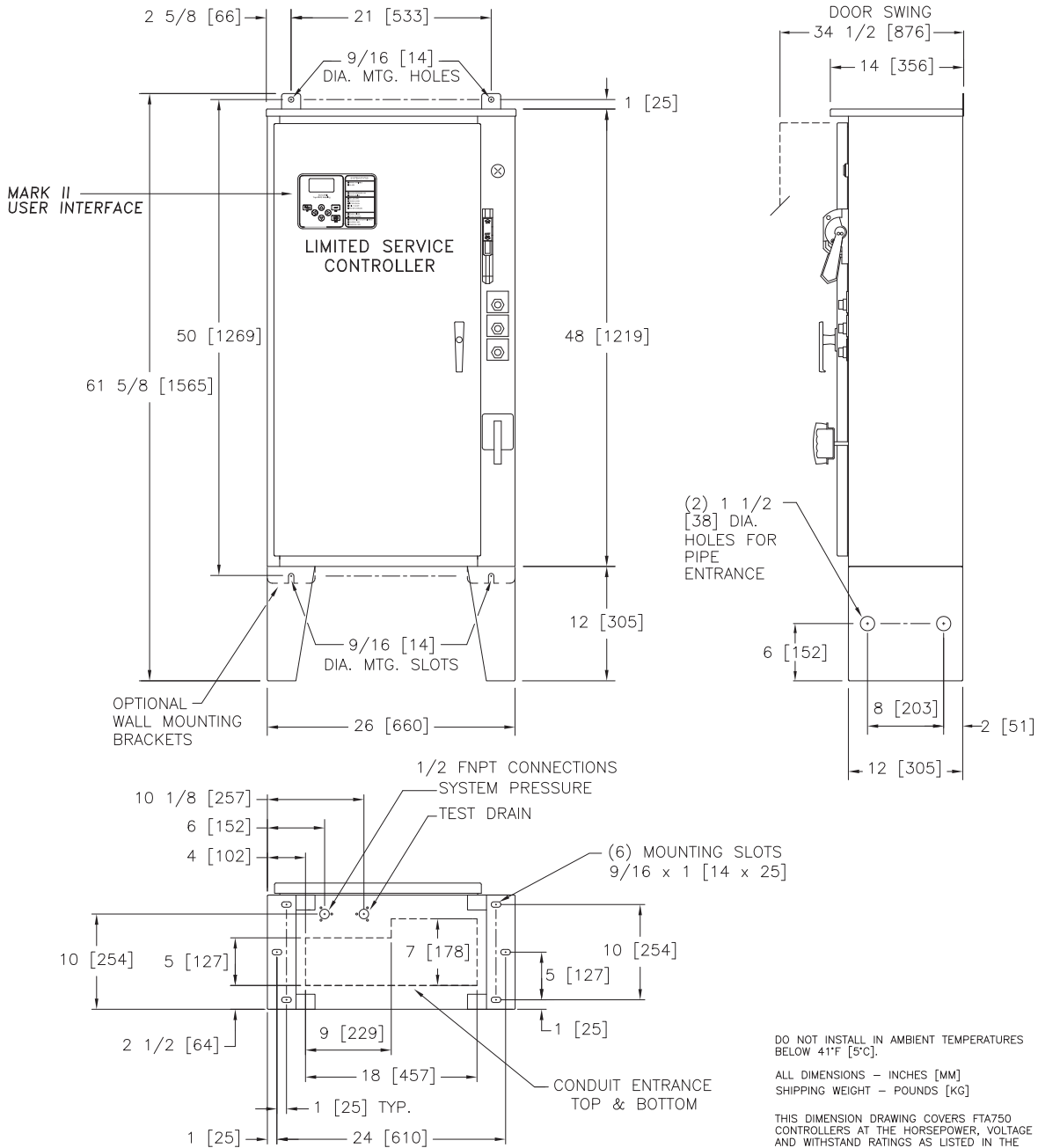


Mark IIx6 Limited Service Electric Fire Pump Controllers

Dimensions and Shipping Weight

FTA750

Across The Line Starting



DO NOT INSTALL IN AMBIENT TEMPERATURES BELOW 41°F [5°C].

ALL DIMENSIONS - INCHES [MM]
SHIPPING WEIGHT - POUNDS [KG]

THIS DIMENSION DRAWING COVERS FTA750 CONTROLLERS AT THE HORSEPOWER, VOLTAGE AND WITHSTAND RATINGS AS LISTED IN THE TABLE.

DIMENSIONS SHOWN ON THIS DRAWING ARE APPLICABLE FOR NEMA TYPES 2/3R/4/4X/12

SPECIFICATIONS AND DIMENSIONS SUBJECT TO CHANGE WITHOUT NOTICE. DO NOT USE FOR CONSTRUCTION. REQUEST CONSTRUCTION DRAWINGS FROM FIRETROL OR YOUR LOCAL FIRETROL REPRESENTATIVE.

NOTE:
TEST DRAIN CONNECTION MUST BE PIPED TO WASTE DRAIN. FAILURE TO CONNECT TO A FLOOR DRAIN WILL RESULT IN UNSAFE CONDITIONS OF STANDING WATER AROUND CONTROLLER.

APPROXIMATE SHIPPING WEIGHT
200 [91]

WITHSTAND OPTIONS	
STANDARD WITHSTAND (OPTION D)	
INTERMEDIATE WITHSTAND (OPTION E)	
LINE VOLTAGE	MOTOR HORSEPOWER
200-600	□ 3-30

THIRD ANGLE PROJECTION	SIZE	A	BY	TEF	DATE	11-16-10
	DRAWN BY	TEF	DATE	11-16-10		
	FINAL APPROVAL	TEF	DATE	11-16-10		



© Firetrol, Inc. Not for construction. Subject to change without notice.

UPDATED TITLE BLOCK		C	280928	JMW	TEF	09-18-19
REVISED TO BE IN COMPLIANCE WITH UL218 THIRD EDITION		B	270053	GFD	GFD	11-30-17
REVISION DESCRIPTION		REV	ECN NO	BY	APP	DATE
DIMENSIONS & SHIPPING WEIGHT		FTA750		DRAWING NUMBER		
LIMITED SERVICE FIRE PUMP CONTROLLER				DD750-51		
DWG REV	C	ECN NO	280928	SHEET 1 OF 1		