

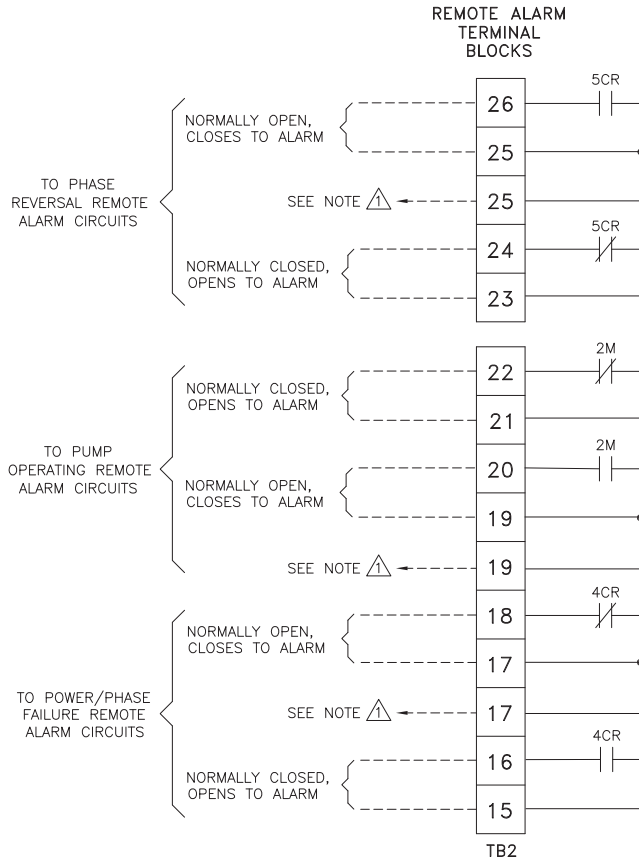


Mark IIx6 Electric Fire Pump Controllers

Field Connections

FTA1350

Wye-Delta Closed Transition Starting

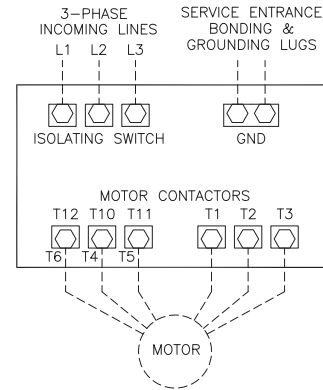


△ SPARE TERMINALS PROVIDED FOR PARALLEL CONNECTION OF REMOTE ALARMS (IF REQUIRED)

NOTE: TERMINALS FOR CUSTOMER CONNECTIONS REQUIRE 3.5MM SLOTTED SCREW DRIVER

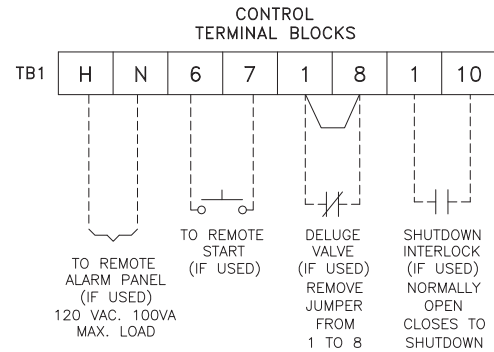
TERMINAL TIGHTENING TORQUE		
TERMINAL TYPE	WIRE SIZE	TIGHTENING TORQUE
CONTROL AND ALARM TERMINALS	#14-12 AWG [2.5-4 MM ²]	5.6 lb-in [.6 Nm]

-NOTE-
ALARM CONTACT
RATING PILOT DUTY
250 VAC, 30 VDC
10 A. MAX. LOAD



- NOTES**
- 1- Incoming line terminals are provided to accommodate wire sizes at 125% of motor full load current per NFPA 70-2008, *National Electrical Code*, Table 430-250, Section 695.6(c), and Table 310-16, 75° rated Copper conductors.
 - 2- Controller is phase rotation sensitive. Incoming lines L1, L2 and L3 must be in ABC, right hand rotation sequence for proper operation of the phase monitor.
 - 3- Motor connections shown are typical. Since motor connections vary widely, refer to the motor connection diagram for specific wiring arrangement.
 - 4- For incoming line terminals and motor terminals field wire capacity refer to drawing FC1350-51

NOTE: USE COPPER CONDUCTORS ONLY FOR ALL CONNECTIONS



PRESSURE SYSTEM
CONNECTION
1/2" FNPT

THIRD ANGLE PROJECTION	SIZE	A	BY	DATE
	DRAWN BY	TEF	05-06-02	
	FINAL APPROVAL	TEF	05-06-02	



© Firetrol, Inc. Not for construction. Subject to change without notice.

UPDATED TITLE BLOCK		B	280937	JMW	TEF	09-20-19
ADD NOTE FOR COPPER CONDUCTORS ONLYM, UPDATED LOGO & TITLE BLOCK		B	226253	JC	TEF	12-09-09
REVISION DESCRIPTION		REV	ECN NO	BY	APP	DATE
FIELD CONNECTIONS		FTA1350		DRAWING NUMBER		
WYE-DELTA CLOSED TRANSITION FIRE PUMP CONTROLLER				FC1350-50		
		DWG REV	B	ECN NO	280937	SHEET 1 OF 2

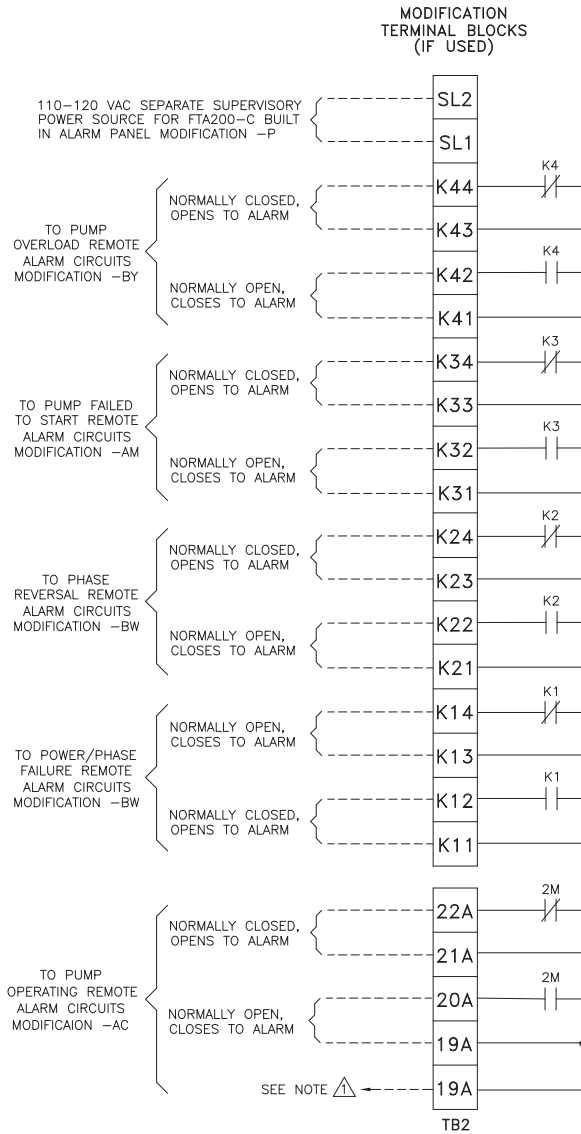


Mark IIx6 Electric Fire Pump Controllers

Field Connections

FTA1350

Wye-Delta Closed Transition Starting



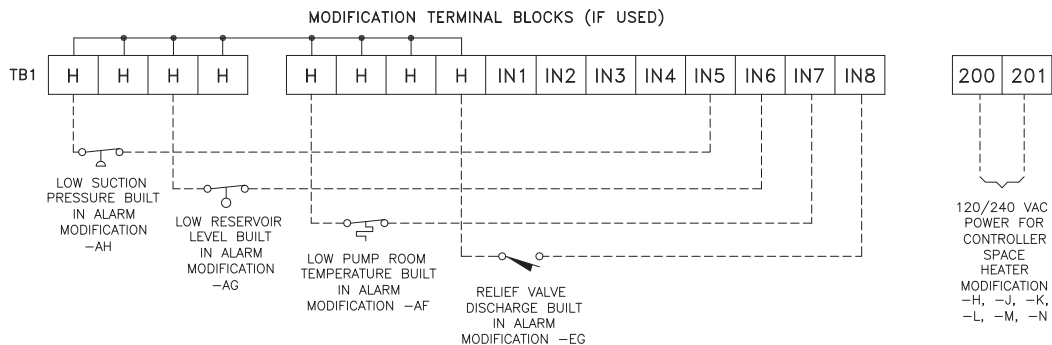
SPARE TERMINALS PROVIDED FOR PARALLEL CONNECTION OF REMOTE ALARMS (IF REQUIRED)

NOTE: TERMINALS FOR CUSTOMER CONNECTIONS REQUIRE 3.5MM SLOTTED SCREW DRIVER

TERMINAL TIGHTENING TORQUE		
TERMINAL TYPE	WIRE SIZE	TIGHTENING TORQUE
CONTROL AND ALARM TERMINALS	#14-12 AWG [2.5-4 MM ²]	5.6 lb-in [.6 Nm]

—NOTE—
ALARM CONTACT
RATING PILOT DUTY
250 VAC, 30 VDC
10 A. MAX. LOAD

NOTE: USE COPPER CONDUCTORS ONLY FOR ALL CONNECTIONS



	SIZE	A	BY	DATE
	DRAWN BY	TEF	05-06-02	
	FINAL APPROVAL	TEF	05-06-02	



© Firetrol, Inc. Not for construction.
Subject to change without notice.

UPDATED TITLE BLOCK		B	280937	JMW	TEF	09-20-19
ADD NOTE FOR COPPER CONDUCTORS ONLY, UPDATED LOGO & TITLE BLOCK		B	22625	JC	TEF	12-09-09
REVISION DESCRIPTION		REV	ECN NO	BY	APP	DATE
FIELD CONNECTIONS		FTA1350		DRAWING NUMBER		
WYE-DELTA CLOSED TRANSITION FIRE PUMP CONTROLLER		FC1350-50				
DWG REV	B	ECN NO	280937	SHEET 2 OF 2		

All rights reserved. The drawing and the information contained or depicted herein are the sole property of Firetrol, Inc. Copies are communicated to the recipient in strict confidence and may not be retransmitted, published, reproduced, copied or used in any manner, including as the basis for the manufacture or sale of any products, without the express prior written consent of Firetrol, Inc.