



© Firetrol, Inc. Not for construction.
Subject to change without notice.

BY		DD/MM/YY
DRAWN BY	ACD	08/03/23
FINAL APPROVAL	FC	08/03/23

ELECTRIC FIRE PUMP CONTROLLER MEDIUM VOLTAGE

MODEL:FTA2000

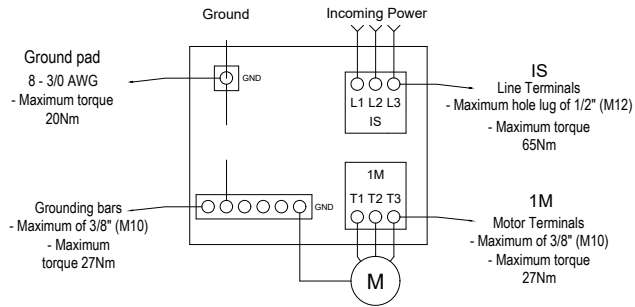
BUILT TO THE LATEST EDITION OF THE NFPA20 & NFPA70



DRAWING NUMBER
FC2000-800/E
DWG REV. 0
SHEET 1 OF 1

Field Connections

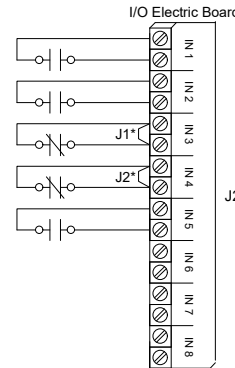
Normal Power Connections



Field Connections

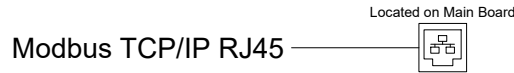
Terminals Wire Size:
24 - 12 AWG
0.5 Nm

- Remote Manual
- Lockout
- Remote Auto
- Deluge Valve
- Low Water Level



Network Connections

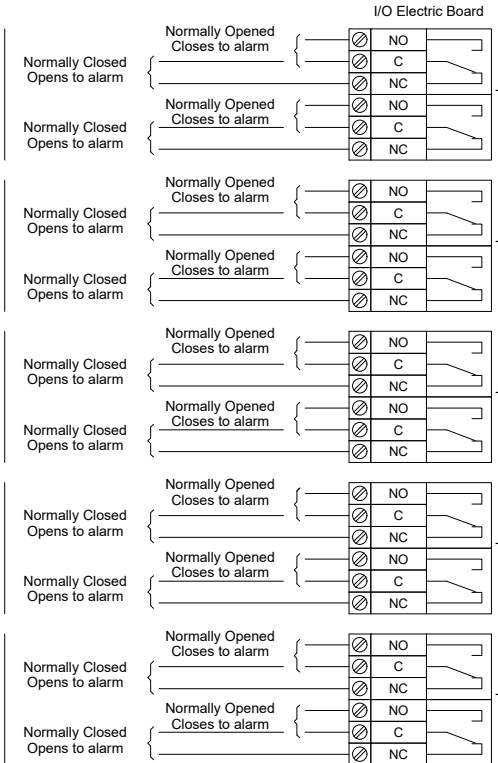
Terminals Wire Size:
Shielded Female Connector RJ45



Alarm Contacts

Terminals Wire Size:
24 - 12 AWG
0.5 Nm

- Motor Run
- Power Available
- Normal Power Phase Reversal
- Pump Room Alarm**
- Motor Trouble**



* Remove jumper to use this feature
** Re-assignable