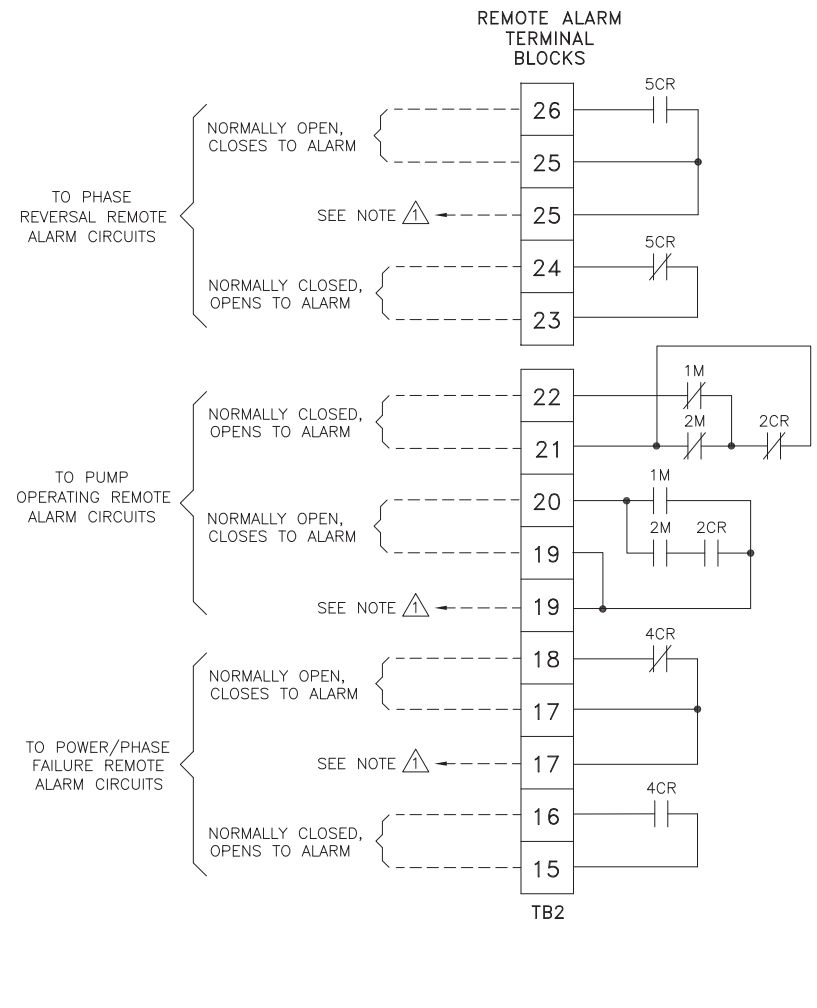
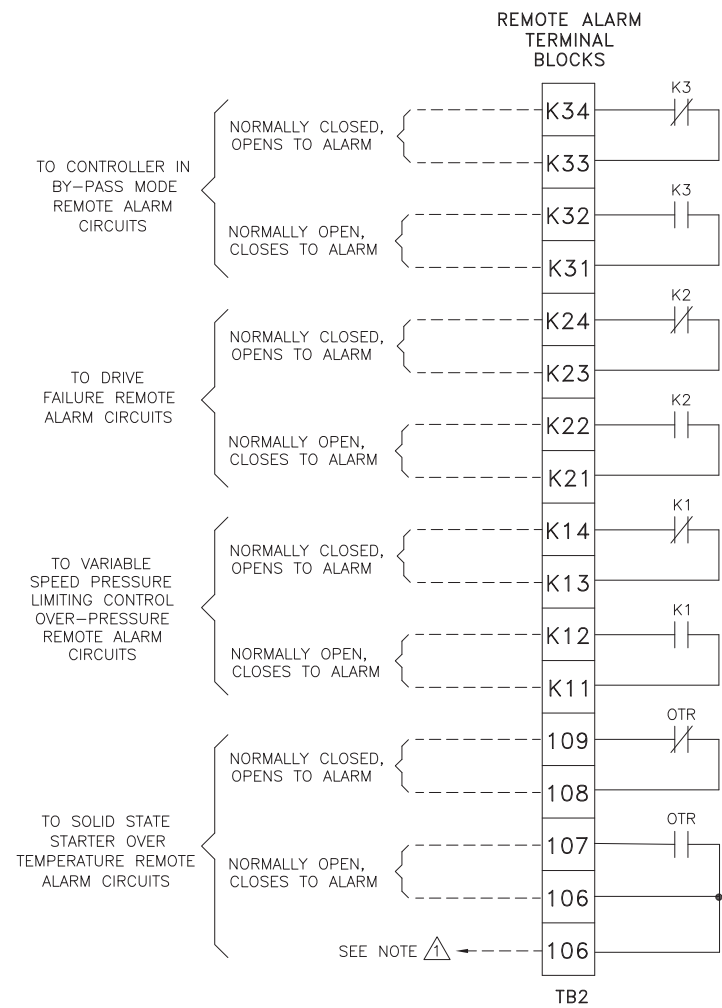




MarkIIx6 Electric Fire Pump Controllers - Variable Speed Starting with Soft Start Bypass

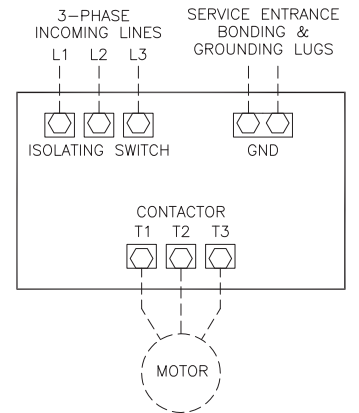


LINE TERMINALS—WIRE CAPACITY AND QUANTITY (CU)

MAXIMUM MOTOR HORSEPOWER						WIRE SIZE (CU) PER PHASE	WIRE SIZE SERVICE ENTRANCE GROUND LUG (CU)
200V	208V	220-240V	380-415V	440-480V	550-600V		
20	20	25	40	50	60	(1) #14 AWG-#1/0 AWG (1) 2.5 MM ² -50 MM ²	(2) #14 AWG-#2/0 AWG (2) 2.5 MM ² -70 MM ²
40	40	40	75	100	125	(1) #4 AWG-300 kcmil (1) 25 MM ² -150 MM ²	(2) #14 AWG-#2/0 AWG (2) 2.5 MM ² -70 MM ²
60	60	60	100	150	150	(1) #4 AWG-300 kcmil (1) 25 MM ² -150 MM ²	(2) #6 AWG-250 kcmil (2) 16 MM ² -120 MM ²
100	100	100	150	250	300	(1) 250 kcmil-500 kcmil (1) 120 MM ² -240 MM ²	(2) #6 AWG-250 kcmil (2) 16 MM ² -120 MM ²
---	125	125	200	---	---	(2) #3/0 AWG-250 kcmil (2) 95 MM ² -120 MM ²	(2) #6 AWG-250 kcmil (2) 16 MM ² -120 MM ²
200	200	250	350	500	---	(3) #2/0 AWG-400 kcmil (3) 70 MM ² -200 MM ²	(2) #6 AWG-250 kcmil (2) 16 MM ² -120 MM ²
250	250	300	500	600	---	(4) #4/0 AWG-500 kcmil (4) 100 MM ² -240 MM ²	(2) #6 AWG-250 kcmil (2) 16 MM ² -120 MM ²

MOTOR TERMINALS—WIRE CAPACITY AND QUANTITY (CU)

MAXIMUM MOTOR HORSEPOWER						WIRE SIZE (CU) PER PHASE
200V	208V	220-240V	380-415V	440-480V	550-600V	
30	30	40	60	75	100	(1) #6 AWG-#2/0 AWG (1) 16 MM ² -70 MM ²
50	50	60	75	125	150	(1) #6 AWG-250 kcmil (1) 16 MM ² -120 MM ²
75	75	100	150	200	250	(1) #4 AWG-400 kcmil (1) 25 MM ² -200 MM ²
100	100	---	---	250	300	(2) #4 AWG-500 kcmil (2) 25 MM ² -240 MM ²
200	200	200	350	500	---	(2) 250 kcmil-500 kcmil (2) 120 MM ² -240 MM ²
250	250	300	500	600	---	(3) #2/0 AWG-500 kcmil (3) 70 MM ² -240 MM ²



1 FOR CORRECT WIRE SIZING, REFER TO NATIONAL ELECTRICAL CODE, NFPA 70.
2 WHEN REQUIRED BY AUTHORITY HAVING JURISDICTION.

SPARE TERMINALS PROVIDED FOR PARALLEL CONNECTION OF REMOTE ALARMS (IF REQUIRED)

NOTE: TERMINALS FOR CUSTOMER CONNECTIONS REQUIRE 3.5MM SLOTTED SCREW DRIVER

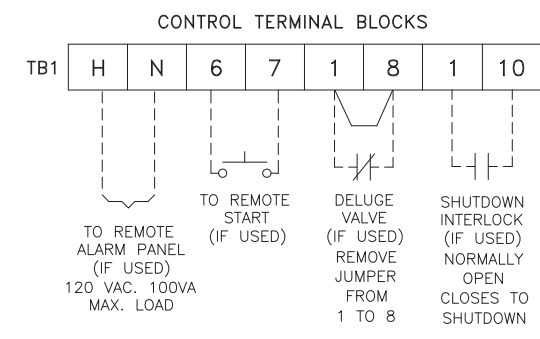
TERMINAL TIGHTENING TORQUE		
TERMINAL TYPE	WIRE SIZE	TIGHTENING TORQUE
CONTROL AND ALARM TERMINALS TB1, TB2	#14-12 AWG [2.5-4 MM ²]	5.6 lb-in [.6 Nm]

-USE COPPER CONDUCTORS ONLY-

-NOTE- ALARM CONTACT RATING PILOT DUTY 250 VAC, 30 VDC 10 A. MAX. LOAD

PRESSURE SYSTEM CONNECTION 1/2" FNPT

NOTES
1- Incoming line terminals are provided to accommodate wire sizes at 125% of motor full load current per NFPA 70, National Electrical Code, Table 430-250, Section 695.6(c), and Table 310-16, 75' rated Copper conductors.
2- Controller is phase rotation sensitive. Incoming lines L1, L2 and L3 must be in ABC, right hand rotation sequence for proper operation of the phase monitor.
3- Motor connections shown are typical. Since motor connections vary widely, refer to the motor connection diagram for specific wiring arrangement.



THIRD ANGLE PROJECTION	SIZE	B	BY	DATE	<p>© Firetrol, Inc. Not for construction. Subject to change without notice.</p>	REVISION DESCRIPTION				REV	ECN NO	BY	APP	DATE
	DRAWN BY	TEF	05/14/21	05/14/21		FIELD CONNECTIONS	FTA3130M				DRAWING NUMBER			
	FINAL APPROVAL	TEF	05/14/21	05/14/21		VFD ELECTRIC FIRE PUMP CONTROLLER WITH SOFT START BY-PASS				FC3130M-50				
						DWG REV	ECN NO		SHEET 1 OF 1					

All rights reserved. The drawing and the information contained or depicted herein are the sole property of Firetrol, Inc. Copies are communicated to the recipient in strict confidence and may not be retransmitted, published, reproduced, copied or used in any manner, including as the basis for the manufacture or sale of any products, without the express prior written consent of Firetrol, Inc.