



# Mark IIx6 IØ Limited Service Electric Fire Pump Controllers

## Field Connections

### FTA740

#### Single Phase Starting

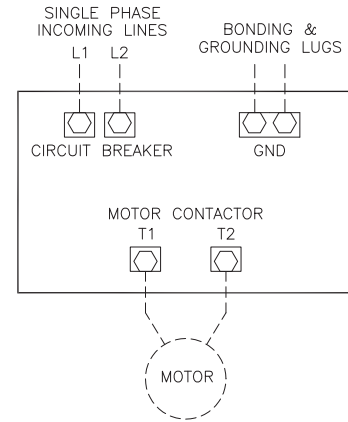
#### LINE TERMINALS—WIRE CAPACITY AND QUANTITY (CU) ①

MAXIMUM MOTOR HORSEPOWER 200–240V	WIRE SIZE (CU) PER PHASE	WIRE SIZE GROUND LUG (CU)
15	(1) #14 AWG—#1/0 AWG (1) 2.5 MM <sup>2</sup> – 50 MM <sup>2</sup>	(2) #14 AWG—#2/0 AWG (2) 2.5 MM <sup>2</sup> – 70 MM <sup>2</sup>

#### MOTOR TERMINALS—WIRE CAPACITY AND QUANTITY (CU) ①

MAXIMUM MOTOR HORSEPOWER 200–240V	WIRE SIZE (CU) PER PHASE
15	(1) #6 AWG—#2/0 AWG (1) 16 MM <sup>2</sup> – 70 MM <sup>2</sup>

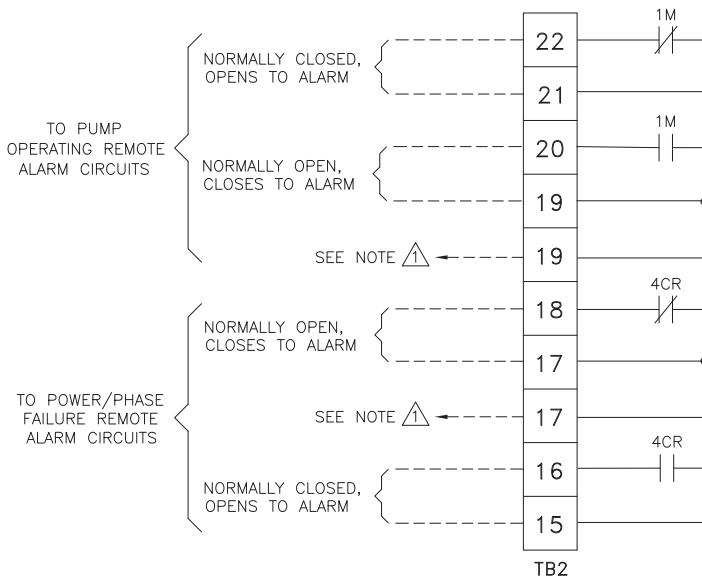
① FOR CORRECT WIRE SIZING, REFER TO NATIONAL ELECTRICAL CODE, NFPA 70.



#### NOTES

- 1— Incoming line terminals are provided to accommodate wire sizes at 125% of motor full load current per NFPA 70, *National Electrical Code*, Table 430–248, Section 695.6(c), and Table 310–16, 75° rated Copper conductors.
- 2— Motor connections shown are typical. Since motor connections vary widely, refer to the motor connection diagram for specific wiring arrangement.

#### REMOTE ALARM TERMINAL BLOCKS



PRESSURE SYSTEM CONNECTION  
1/2" FNPT

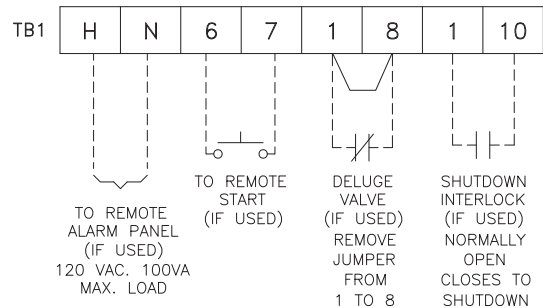
—NOTE—  
ALARM CONTACT RATING PILOT DUTY  
250 VAC, 30 VDC  
10 A. MAX. LOAD

△ SPARE TERMINALS PROVIDED FOR PARALLEL CONNECTION OF REMOTE ALARMS (IF REQUIRED)

NOTE: TERMINALS FOR CUSTOMER CONNECTIONS REQUIRE 3.5MM SLOTTED SCREW DRIVER

TERMINAL TIGHTENING TORQUE		
TERMINAL TYPE	WIRE SIZE	TIGHTENING TORQUE
CONTROL AND ALARM TERMINALS	#14–12 AWG [2.5–4 MM <sup>2</sup> ]	5.6 lb-in [.6 Nm]

#### CONTROL TERMINAL BLOCKS



UPDATED TITLE BLOCK		A	280889	JMW	TEF	09-16-19
NEW ISSUE		-	242752	TEF	TEF	06-04-13
REVISION DESCRIPTION		REV	ECN NO	BY	APP	DATE
FIELD CONNECTIONS		FTA740		DRAWING NUMBER		
SINGLE PHASE LIMITED SERVICE CONTROLLER				FC740-50		
DWG REV A		ECN NO 280889		SHEET 1 OF 1		

SIZE	A	BY	DATE
DRAWN BY	TEF	06-04-13	
FINAL APPROVAL	TEF	06-04-13	



© Firetrol, Inc. Not for construction.  
Subject to change without notice.