

(DRAWINGS INCLUDED IN THIS PACKAGE ARE FOR STANDARD CONTROLLERS. ACTUAL "AS BUILT" DRAWINGS MAY DIFFER FROM THOSE SEEN HERE).

Firetrol, Inc.

3412 Apex Peakway
Apex, North Carolina 27502
P 919 460 5200
F 919 460 5250
www.firetrol.com

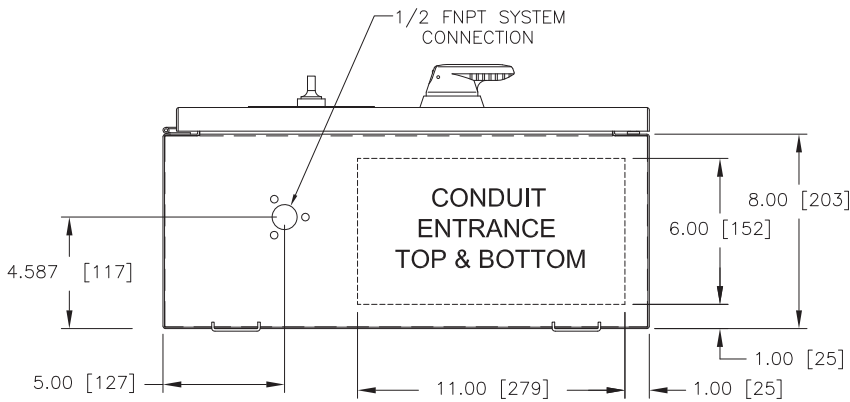
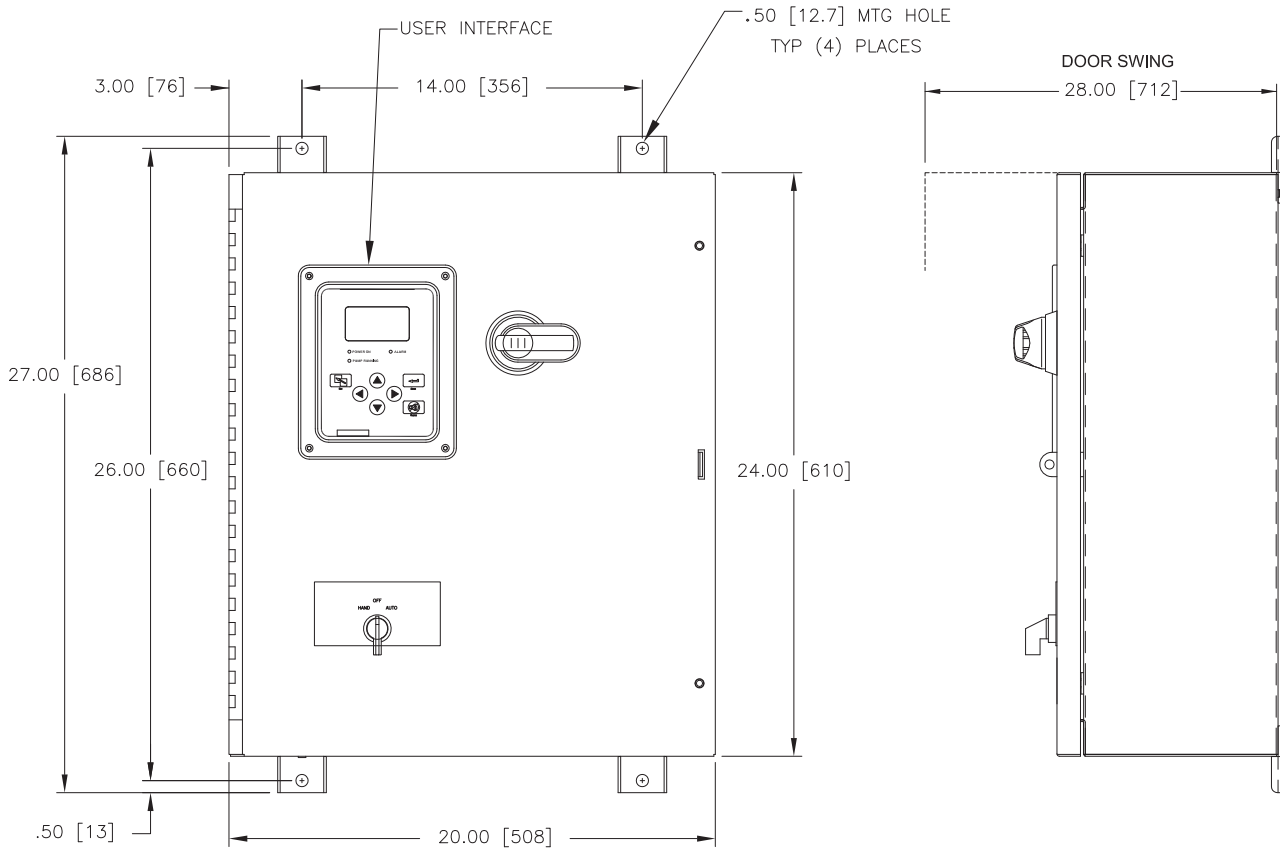
While every precaution has been taken to ensure accuracy and completeness herein, Firetrol, Inc. assumes no responsibility, and disclaims all liability, for damages resulting from use of this information or for any errors or omissions. Specifications and drawings are subject to change without notice. ©2019 Firetrol, Inc., All Rights Reserved.

Dimensions and Shipping Weight



FTA550E

Jockey_{xg} Pump Controllers



SHIPPING WEIGHT
APPROX. 45 [20.4]

ALL DIMENSIONS - INCHES [MM]
SHIPPING WEIGHT - POUNDS [KG]

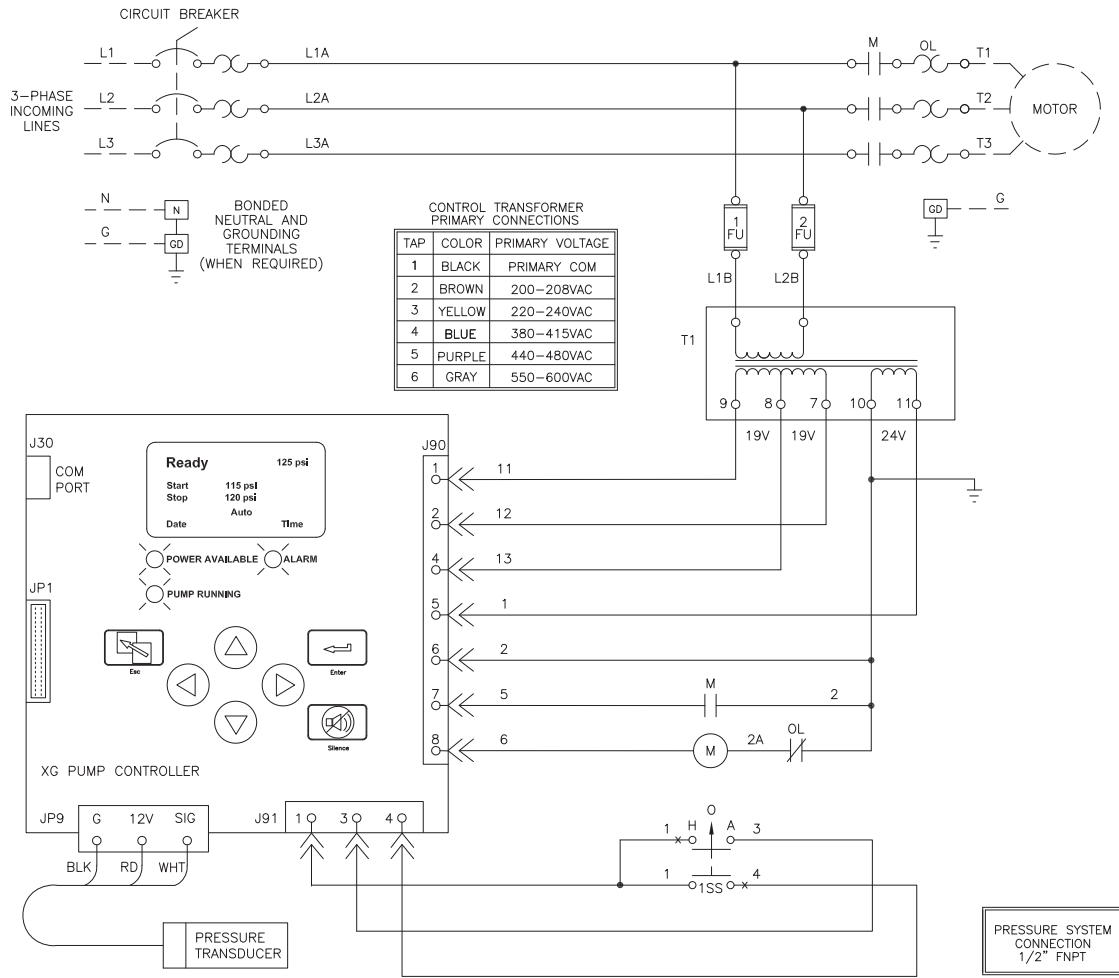
NOTES:

FOR ADDITIONAL HORSEPOWER RATINGS CONSULT FACTORY.
DIMENSIONS SHOWN ON THIS DRAWING ARE APPLICABLE FOR NEMA TYPES 2 - 3R - 4 - 4X - 12

DISCONNECT TYPE	MAXIMUM MOTOR HORSEPOWER				
	200-208V	220-240V	380-415V	440-480V	550-600V
CIRCUIT BREAKER OR FUSIBLE DISCONNECT	25	30	40	50	50

	SIZE	A	BY	CIR	DATE	4-25-12	<p>© Firetrol, Inc. Not for construction. Subject to change without notice.</p>	UPDATED TITLE BLOCK				A	280587	JMW	TEF	08-28-19	
	DRAWN BY							REVISION DESCRIPTION				REV	ECN NO	BY	APP	DATE	
	FINAL APPROVAL							DIMENSIONS AND SHIPPING WEIGHT				FTA550E					
								FTA550E JOCKEY XG PUMP CONTROLLER				DRAWING NUMBER					
										DD550-05							
										DWG REV A				ECN NO 280587		SHEET 1 OF 1	

All rights reserved. The drawing and the information contained or depicted herein are the sole property of Firetrol, Inc. Copies are communicated to the recipient in strict confidence and may not be retransmitted, published, reproduced, copied or used in any manner, including as the basis for the manufacture or sale of any products, without the express prior written consent of Firetrol, Inc.



FOR ADDITIONAL OPTIONS AND MODIFICATIONS, REFER TO DRAWING WS550-06

LINE TERMINALS—WIRE CAPACITY AND QUANTITY (CU) ①
—FUSIBLE DISCONNECT OPTION

MAXIMUM MOTOR HORSEPOWER					WIRE SIZE (CU) PER PHASE	WIRE SIZE (CU) NEUTRAL AND GROUND TERMINALS
200-208V	220-240V	380-415V	440-480V	550-600V		
5	7 1/2	10	15	20	(1) #14 AWG-#6 AWG (1) 2 MM ² -13 MM ²	(1) #14 AWG-#6 AWG (1) 2.5 MM ² -16 MM ²
15	15	25	30	50	(1) #10 AWG-#6 AWG (1) 6 MM ² -16 MM ²	(1) #14 AWG-#6 AWG (1) 2.5 MM ² -16 MM ²
25	30	40	50	--	(1) #12 AWG-#1 AWG (1) 16 MM ² -42 MM ²	(2) #14 AWG-#1/0 AWG (2) 2.5 MM ² -50 MM ²

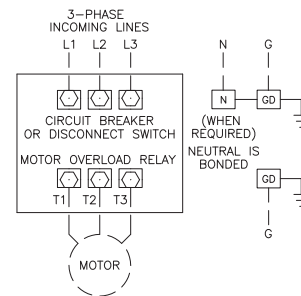
MOTOR TERMINALS—WIRE CAPACITY AND QUANTITY (CU) ①



MAXIMUM MOTOR HORSEPOWER					WIRE SIZE (CU) PER PHASE
200-208V	220-240V	380-415V	440-480V	550-600V	
3	5	7.5	10	10	(1) #14 AWG-#10 AWG (1) 2.5 MM ² -6 MM ²
7.5	10	15	20	25	(1) #14 AWG-#8 AWG (1) 2.5 MM ² -10 MM ²
20	20	30	40	50	(1) #14 AWG-#2 AWG (1) 2.5 MM ² -35 MM ²
25	30	40	50	-	(1) #10 AWG-#1 AWG (1) 4 MM ² -42 MM ²

LINE TERMINALS—WIRE CAPACITY AND QUANTITY (CU) ①
—CIRCUIT BREAKER OPTION

MAXIMUM MOTOR HORSEPOWER					WIRE SIZE (CU) PER PHASE
200-208V	220-240V	380-415V	440-480V	550-600V	
25	30	40	50	50	(1) #14 AWG-#1 AWG (1) 2.5 MM ² -42 MM ²

① FOR CORRECT WIRE SIZING, REFER TO NATIONAL ELECTRICAL CODE, NFPA 70.

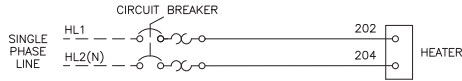


	SIZE	A	BY	TEF	DATE	05-14-12	 <p>© Firetrol, Inc. Not for construction. Subject to change without notice.</p>	UPDATED TITLE BLOCK UPDATE FOR SCHNEIDER COMPONENTS REVISION DESCRIPTION				B	280587	JMW	TEF	08-28-19
	DRAWN BY	TEF	DATE	05-14-12	WIRING SCHEMATIC JOCKEY XG PUMP CONTROLLER				FTA550E	DRAWING NUMBER WS550-05						
	FINAL APPROVAL	TEF	DATE	05-14-12	DWG REV B ECN NO 280587				SHEET 1 OF 1							
								REV A ECN NO 277127 BY TDC APP TDC DATE 02-08-19								

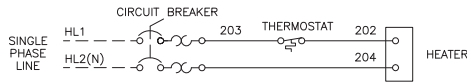
All rights reserved. The drawing and the information contained or depicted herein are the sole property of Firetrol, Inc. Copies are communicated to the recipient in strict confidence and may not be retransmitted, published, reproduced, copied or used in any manner, including as the basis for the manufacture or sale of any products, without the express prior written consent of Firetrol, Inc.

Jockey_{xg} Pump Controllers

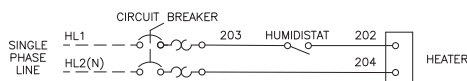
- MODIFICATION H – SPACE HEATER, 110–120VAC
- MODIFICATION L – SPACE HEATER, 220–240VAC



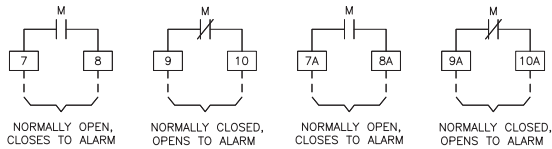
- MODIFICATION J – SPACE HEATER, 110–120VAC (WITH THERMOSTAT)
- MODIFICATION M – SPACE HEATER, 220–240VAC (WITH THERMOSTAT)



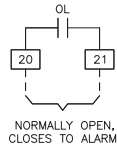
- MODIFICATION K – SPACE HEATER, 110–120VAC (WITH HUMIDISTAT)
- MODIFICATION N – SPACE HEATER, 220–240VAC (WITH HUMIDISTAT)



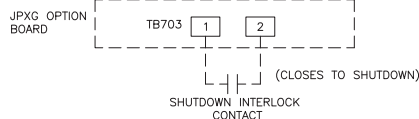
- MODIFICATION AC – PUMP OPERATING ALARM CONTACTS



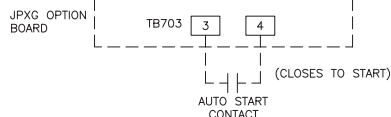
- MODIFICATION BY – PUMP OVERLOAD REMOTE ALARM CONTACT



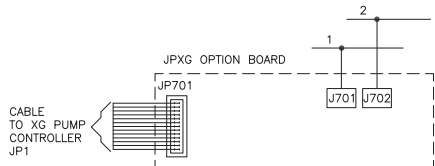
- MODIFICATION NZ – INTERLOCK SHUTDOWN IN AUTO



- MODIFICATION AST – REMOTE AUTO START INPUT

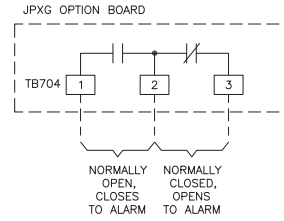


WIRING REQUIRED WHEN JPXG OPTION BOARD IS USED

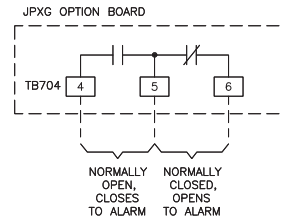


NOTE:
TERMINAL NUMBERS SUBJECT TO CHANGE

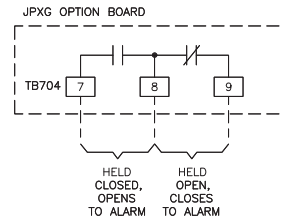
- MODIFICATION AM – PUMP FAILED TO START REMOTE ALARM CONTACTS



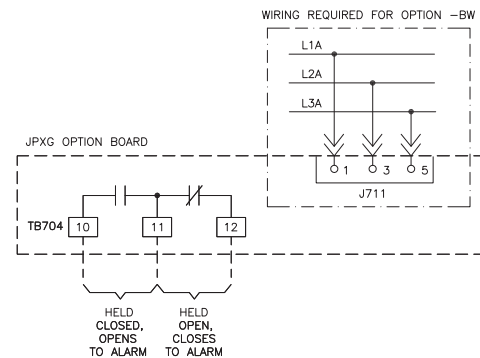
- MODIFICATION EF – SWITCH NOT IN AUTO REMOTE ALARM CONTACTS



- MODIFICATION KH – COMMON TROUBLE REMOTE ALARM CONTACTS



- MODIFICATION BW – PHASE FAILURE/REVERSAL REMOTE ALARM CONTACTS



CONTROL AND ALARM TERMINAL WIRE CAPACITY	
JPXG OPTION BOARD TERMINALS	#18–12 AWG [.75–4 MM ²]
PUMP OPERATING TERMINALS	#14–12 AWG [2.5–4 MM ²]
CIRCUIT BREAKERS	#14–4 AWG [2.5–25 MM ²]

THIRD ANGLE PROJECTION	SIZE	A	BY	TEF	DATE	05-14-12
	DRAWN BY	TEF	DATE	05-14-12		
	FINAL APPROVAL	TEF	DATE	05-14-12		



© Firetrol, Inc. Not for construction. Subject to change without notice.

UPDATED TITLE BLOCK		A	280587	JMW	TEF	08-28-19
REVISION DESCRIPTION		REV	ECN NO	BY	APP	DATE
WIRING SCHEMATIC		FTA550E		DRAWING NUMBER		
JOCKEY XG PUMP CONTROLLER				WS550-06		
OPTIONS AND MODIFICATIONS		DWG REV	A	ECN NO	280587	SHEET 1 OF 1