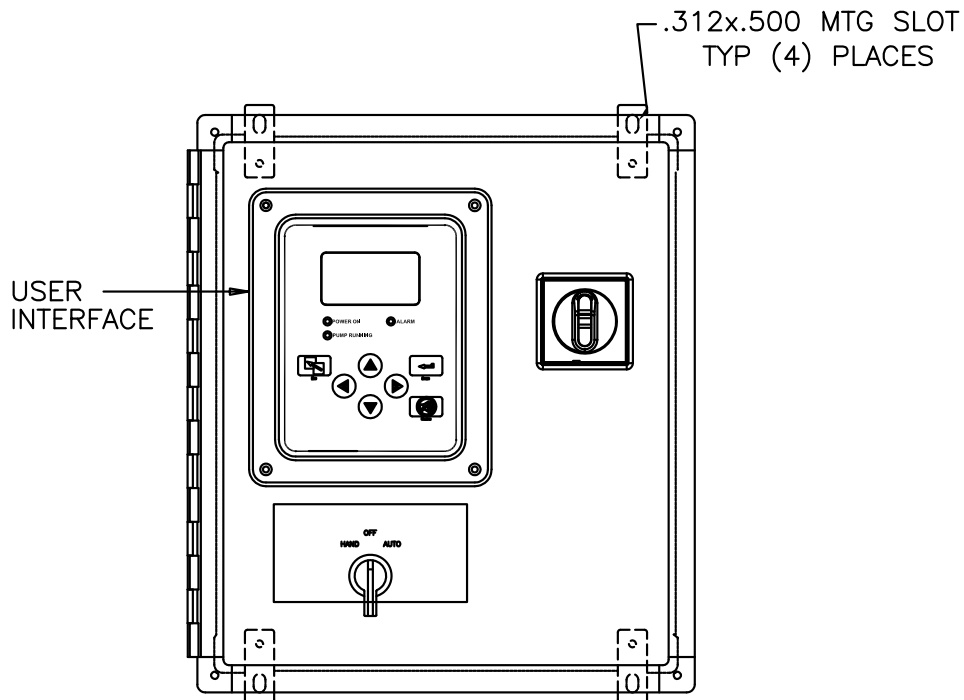


Limited Option Jockey_{XG} Pump Controllers



(DRAWINGS INCLUDED IN THIS PACKAGE ARE FOR STANDARD CONTROLLERS. ACTUAL "AS BUILT" DRAWINGS MAY DIFFER FROM THOSE SEEN HERE).

Firetrol, Inc.

3412 Apex Peakway
Apex, North Carolina 27502
P 919 460 5200
F 919 460 5250
www.firetrol.com

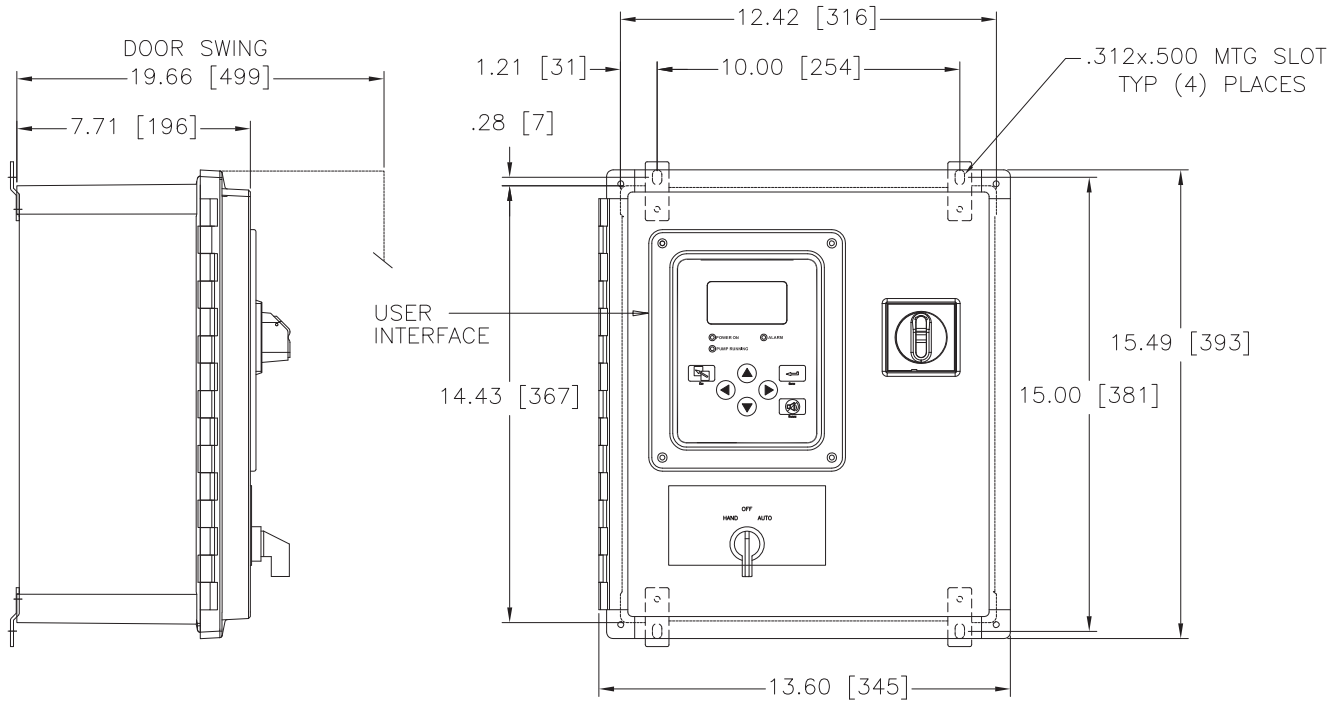
While every precaution has been taken to ensure accuracy and completeness herein, Firetrol, Inc. assumes no responsibility, and disclaims all liability, for damages resulting from use of this information or for any errors or omissions. Specifications and drawings are subject to change without notice. ©2019 Firetrol, Inc., All Rights Reserved.

Dimensions and Shipping Weight



FTA550F

Limited Option Jockey_{XG} Pump Controllers



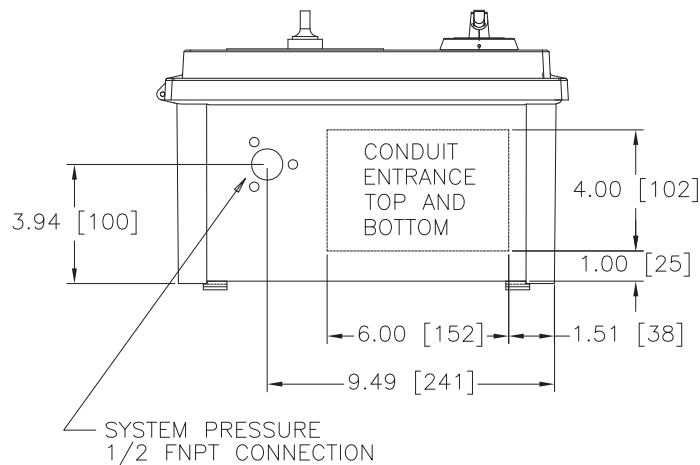
NOTE

CONDUIT ENTRANCE TOP AND BOTTOM ONLY DO NOT ENTER FROM SIDES.

CAUTION

BONDING BETWEEN CONDUIT CONNECTIONS IS NOT AUTOMATIC AND MUST BE PROVIDED AS PART OF THE INSTALLATION.

DIMENSIONS SHOWN ON THIS DRAWING ARE APPLICABLE FOR NEMA TYPES 2/3R/4/4X/12



SHIPPING WEIGHT
APPROX. 15 [6.8]

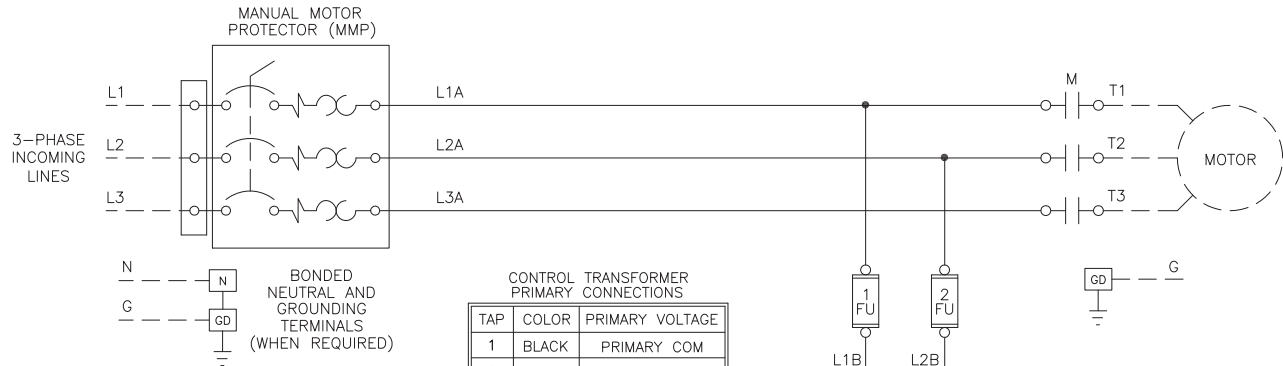
MAXIMUM MOTOR HORSEPOWER				
200-208V	220-240V	380-415V	440-480V	550-600V
7 1/2	10	15	20	20

ALL DIMENSIONS - INCHES [MM]
SHIPPING WEIGHT - POUNDS [KG]

	SIZE	A	BY	DATE	<p>© Firetrol, Inc. Not for construction. Subject to change without notice.</p>	UPDATED TITLE BLOCK				A	280587	JMW	TEF	08-28-19				
	DRAWN BY	TEF	02-29-12	REVISION DESCRIPTION		REV	ECN NO	BY	APP	DATE	DRAWING NUMBER							
	FINAL APPROVAL	TEF	02-29-12	DIMENSIONS & SHIPPING WEIGHT		FTA550F		DD550-01				DWG REV		A	ECN NO	280587	SHEET 1 OF 1	
	JOCKEY XG PUMP CONTROLLER (POLYCARBONATE)																	

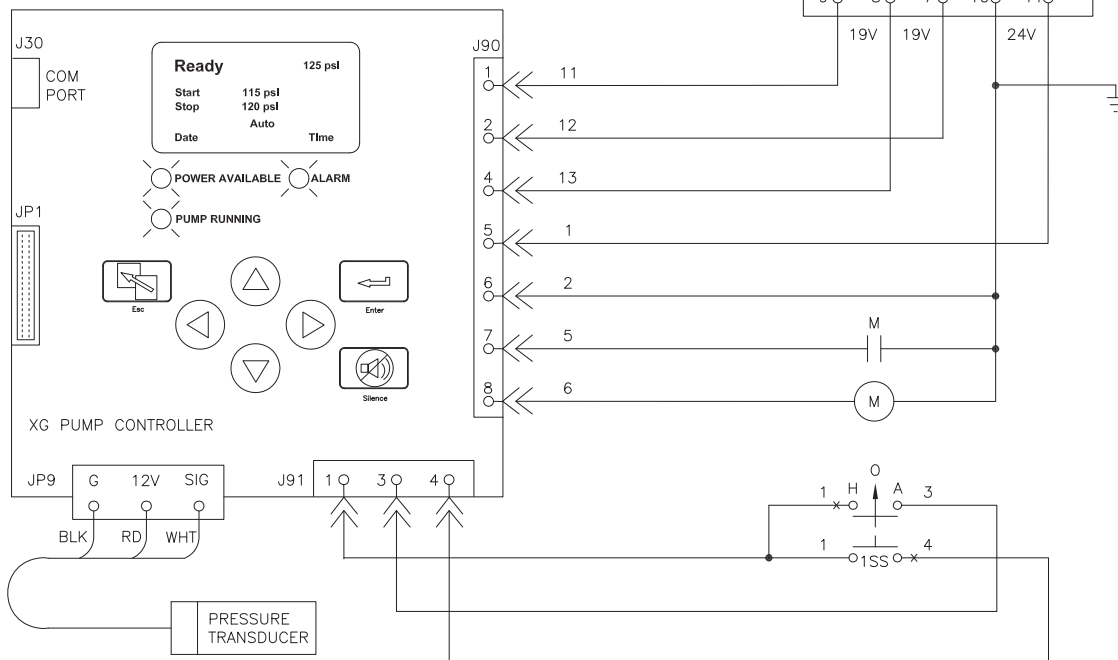
All rights reserved. The drawing and the information contained or depicted herein are the sole property of Firetrol, Inc. Copies are communicated to the recipient in strict confidence and may not be retransmitted, published, reproduced, copied or used in any manner, including as the basis for the manufacture or sale of any products, without the express prior written consent of Firetrol, Inc.

Limited Option Jockey_{XG} Pump Controllers with MMP



CAUTION
BONDING BETWEEN CONDUIT CONNECTIONS IS NOT AUTOMATIC AND MUST BE PROVIDED AS PART OF THE INSTALLATION.

TAP	COLOR	PRIMARY VOLTAGE
1	BLACK	PRIMARY_COM
2	BROWN	200-208VAC
3	YELLOW	220-240VAC
4	BLUE	380-415VAC
5	PURPLE	440-480VAC
6	GRAY	550-600VAC



NEUTRAL AND GROUND TERMINALS WIRE CAPACITY (CU)

#14 AWG-#6 AWG	#6 AWG-#4 AWG
2.5 MM ² -16 MM ²	

PRESSURE SYSTEM CONNECTION
1/2" FNPT

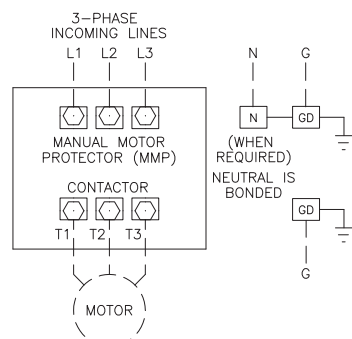
LINE TERMINALS-WIRE CAPACITY (CU)

MAXIMUM MOTOR HORSEPOWER	WIRE SIZE COPPER ONLY				
	200-208V	220-240V	380-415V	440-480V	550-600V
7 1/2	10	15	20	20	#10 AWG-#4 AWG 6 MM ² -25 MM ²

MOTOR TERMINALS-WIRE CAPACITY (CU)

MAXIMUM MOTOR HORSEPOWER	WIRE SIZE COPPER ONLY				
	200-208V	220-240V	380-415V	440-480V	550-600V
7 1/2	10	15	20	20	#14 AWG-#8 AWG 2.5 MM ² -10 MM ²

1 FOR CORRECT WIRE SIZING, REFER TO NATIONAL ELECTRICAL CODE, NFPA 70.

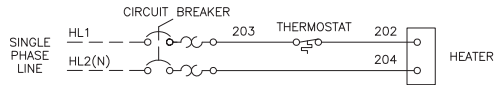


	SIZE	A	BY	TEF	DATE	02-27-12	<p>© Firetrol, Inc. Not for construction. Subject to change without notice.</p>	WIRING SCHEMATIC	A	280587	JMW	TEF	08-28-19
	DRAWN BY	TEF	DATE	02-27-12	REVISION DESCRIPTION	FTA550F		REV	ECN NO	BY	APP	DATE	
	FINAL APPROVAL	TEF	DATE	02-29-12	DRAWING NUMBER	WS550-01		DWG REV	A	ECN NO	280587	SHEET 1 OF 1	

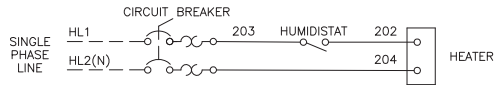
All rights reserved. The drawing and the information contained or depicted herein are the sole property of Firetrol, Inc. Copies are communicated to the recipient in strict confidence and may not be retransmitted, published, reproduced, copied or used in any manner, including as the basis for the manufacture or sale of any products, without the express prior written consent of Firetrol, Inc.

Limited Option Jockey_{XG} Pump Controllers with MMP

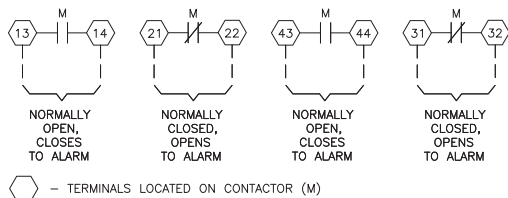
- MODIFICATION J – SPACE HEATER, 110–120VAC (WITH THERMOSTAT)
- MODIFICATION M – SPACE HEATER, 220–240VAC (WITH THERMOSTAT)



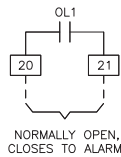
- MODIFICATION K – SPACE HEATER, 110–120VAC (WITH HUMIDISTAT)
- MODIFICATION N – SPACE HEATER, 220–240VAC (WITH HUMIDISTAT)



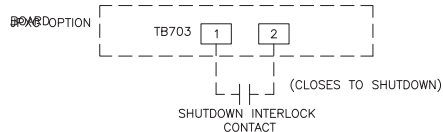
- MODIFICATION AC – PUMP OPERATING ALARM CONTACTS



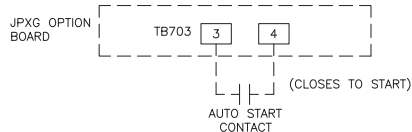
- MODIFICATION BY – PUMP OVERLOAD REMOTE ALARM CONTACT



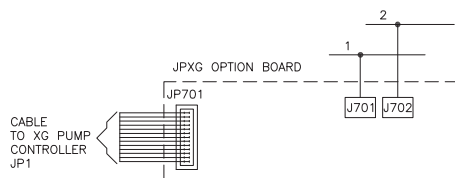
- MODIFICATION NZ – INTERLOCK SHUTDOWN IN AUTO



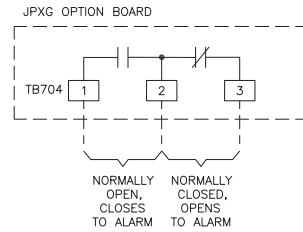
- MODIFICATION AST – REMOTE AUTO START INPUT



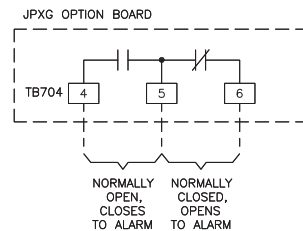
WIRING REQUIRED WHEN JPKG OPTION BOARD IS USED



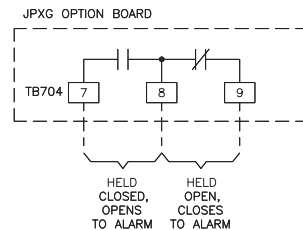
- MODIFICATION AM – PUMP FAILED TO START REMOTE ALARM CONTACTS



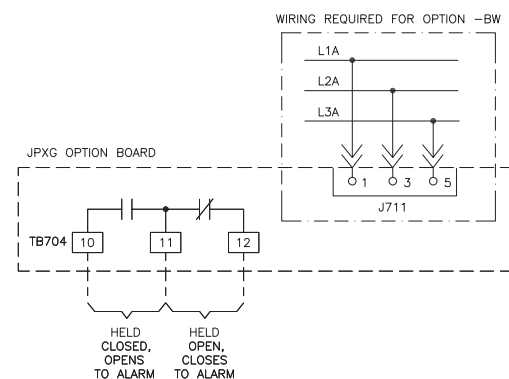
- MODIFICATION EF – SWITCH NOT IN AUTO REMOTE ALARM CONTACTS



- MODIFICATION KH – COMMON TROUBLE REMOTE ALARM CONTACTS



- MODIFICATION BW – PHASE FAILURE/REVERSAL REMOTE ALARM CONTACTS



CONTROL AND ALARM TERMINAL WIRE CAPACITY	
JPKG OPTION BOARD TERMINALS	#18–12 AWG [.75–4 MM ²]
PUMP OPERATING TERMINALS	#18–14 AWG [.75–2.5 MM ²]
CIRCUIT BREAKERS	#14–4 AWG [2.5–25 MM ²]

THIRD ANGLE PROJECTION	SIZE	A	BY	TEF	DATE	02-27-12
	DRAWN BY	TEF	DATE	02-29-12		
	FINAL APPROVAL	TEF				



© Firetrol, Inc. Not for construction. Subject to change without notice.

UPDATED TITLE BLOCK		A	280587	JMW	TEF	08-28-19
REVISION DESCRIPTION		REV	ECN NO	BY	APP	DATE
WIRING SCHEMATIC		FTA550F		DRAWING NUMBER		
JOCKEY XG PUMP CONTROLLER WITH MANUAL MOTOR PROTECTOR OPTIONS AND MODIFICATIONS		WS550-02		DWG REV A		
		ECN NO	280587	SHEET 1 OF 1		

Wiring Schematic

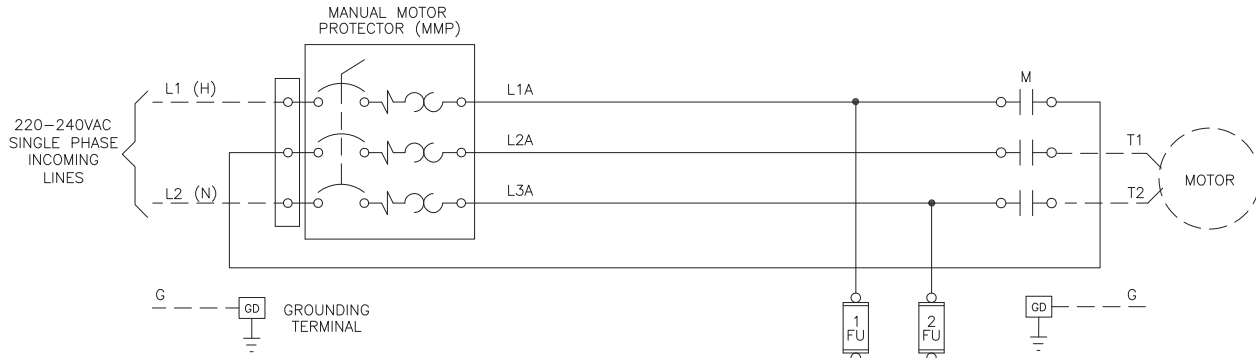
Single Phase

(220-240VAC)



FTA550F

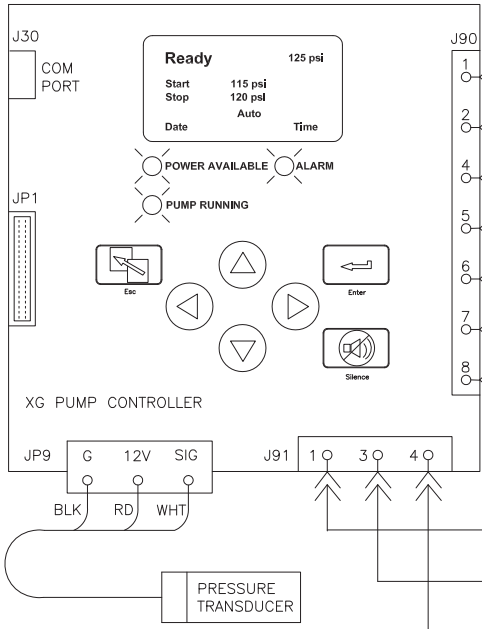
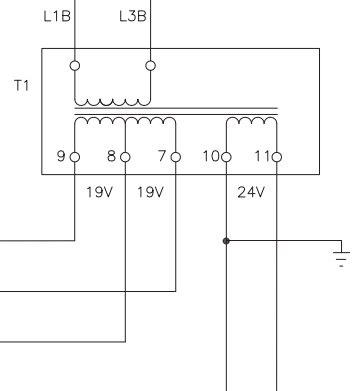
Limited Option Jockey_{XG} Pump Controllers with MMP



CAUTION
 BONDING BETWEEN CONDUIT CONNECTIONS IS NOT AUTOMATIC AND MUST BE PROVIDED AS PART OF THE INSTALLATION.

CONTROL TRANSFORMER PRIMARY CONNECTIONS

TAP	COLOR	PRIMARY VOLTAGE
1	BLACK	PRIMARY COM
3	YELLOW	220-240VAC



GROUND TERMINALS WIRE CAPACITY (CU)

#14 AWG-#6 AWG	2.5 MM ² -16 MM ²
----------------	---

PRESSURE SYSTEM CONNECTION
 1/2" FNPT

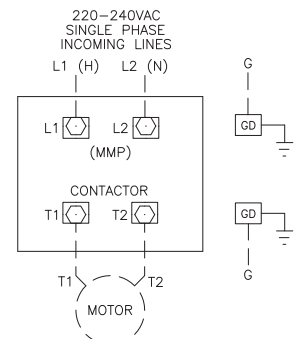
LINE TERMINALS-WIRE CAPACITY (CU) ^①

MAXIMUM MOTOR HORSEPOWER	WIRE SIZE COPPER ONLY
220-240V	#10 AWG-#4 AWG 6 MM ² -25 MM ²
5	

MOTOR TERMINALS-WIRE CAPACITY (CU) ^①

MAXIMUM MOTOR HORSEPOWER	WIRE SIZE COPPER ONLY
220-240V	#14 AWG-#8 AWG 2.5 MM ² -10 MM ²
5	

^① FOR CORRECT WIRE SIZING, REFER TO NATIONAL ELECTRICAL CODE, NFPA 70.



SIZE	A	BY	DATE	UPDATED TITLE BLOCK	C	280587	JMW	TEF	08-28-19
THIRD ANGLE PROJECTION				SEE ECN	B	239104	TEF	TEF	09-25-12
DRAWN BY	TEF	08-22-12	REVISION DESCRIPTION	REV	ECN NO	BY	APP	DATE	
FINAL APPROVAL	TEF	08-22-12	WIRING SCHEMATIC						
			FTA550F						
			SINGLE PHASE JOCKEY XG PUMP CONTROLLER WITH MANUAL MOTOR PROTECTOR (220-240VAC)						
				DRAWING NUMBER					
				WS550-13					
				DWG REV	C	ECN NO	280587		SHEET 1 OF 1

All rights reserved. The drawing and the information contained or depicted herein are the sole property of Firetrol, Inc. Copies are communicated to the recipient in strict confidence and may not be retransmitted, published, reproduced, copied or used in any manner, including as the basis for the manufacture or sale of any products, without the express prior written consent of Firetrol, Inc.

Wiring Schematic

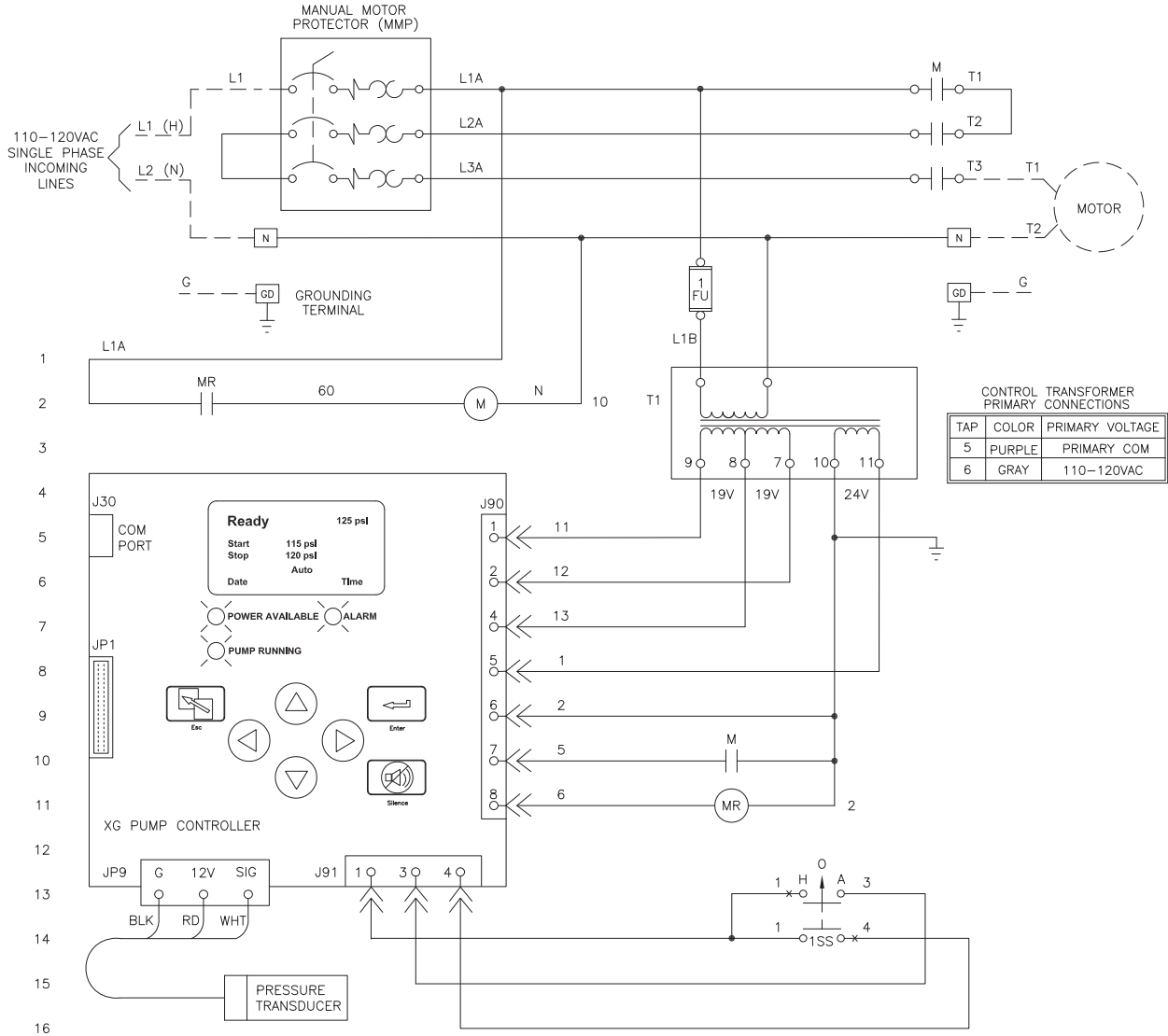
Single Phase

(110-120 VAC)



FTA550F

Limited Option Jockey_{XG} Pump Controllers with MMP



GROUND TERMINALS WIRE CAPACITY (CU)

#14 AWG-#6 AWG	2.5 MM ² -16 MM ²
----------------	---

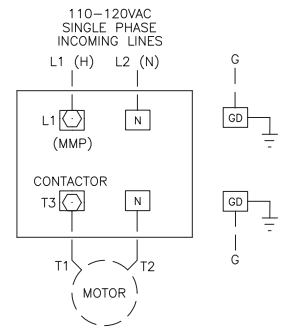
PRESSURE SYSTEM CONNECTION 1/2" FNPT

LINE TERMINALS-WIRE CAPACITY (CU)

MAXIMUM MOTOR HORSEPOWER	WIRE SIZE COPPER ONLY	
	110-120V	NEUTRAL WIRE SIZE COPPER ONLY
1	#14 AWG-#12 AWG 2.5 MM ² -4 MM ²	#14 AWG-#8 AWG 2.5 MM ² -10 MM ²
2	#12 AWG-#8 AWG 4 MM ² -10 MM ²	#14 AWG-#8 AWG 2.5 MM ² -10 MM ²

MOTOR TERMINALS-WIRE CAPACITY (CU)

MAXIMUM MOTOR HORSEPOWER	WIRE SIZE COPPER ONLY	
	110-120V	NEUTRAL WIRE SIZE COPPER ONLY
2	#14 AWG-#8 AWG 2.5 MM ² -10 MM ²	#14 AWG-#8 AWG 2.5 MM ² -10 MM ²



CAUTION
BONDING BETWEEN CONDUIT CONNECTIONS IS NOT AUTOMATIC AND MUST BE PROVIDED AS PART OF THE INSTALLATION.

FOR CORRECT WIRE SIZING, REFER TO NATIONAL ELECTRICAL CODE, NFPA 70.

	SIZE A	BY	DATE	UPDATED TITLE BLOCK REVISION DESCRIPTION WIRING SCHEMATIC SINGLE PHASE JOCKEY PUMP CONTROLLER WITH MANUAL MOTOR PROTECTOR				A REV DWG REV A	280587 ECN NO 280587	JMW BY ECN NO 280587	TEF APP SHEET 1 OF 1	08-28-19 DATE
	DRAWN BY	TEF	09-12-12	Firetrol, Inc. © Firetrol, Inc. Not for construction. Subject to change without notice.				DRAWING NUMBER WS550-109				
	FINAL APPROVAL	TEF	09-12-12									
	All rights reserved. The drawing and the information contained or depicted herein are the sole property of Firetrol, Inc. Copies are communicated to the recipient in strict confidence and may not be retransmitted, published, reproduced, copied or used in any manner, including as the basis for the manufacture or sale of any products, without the express prior written consent of Firetrol, Inc.											