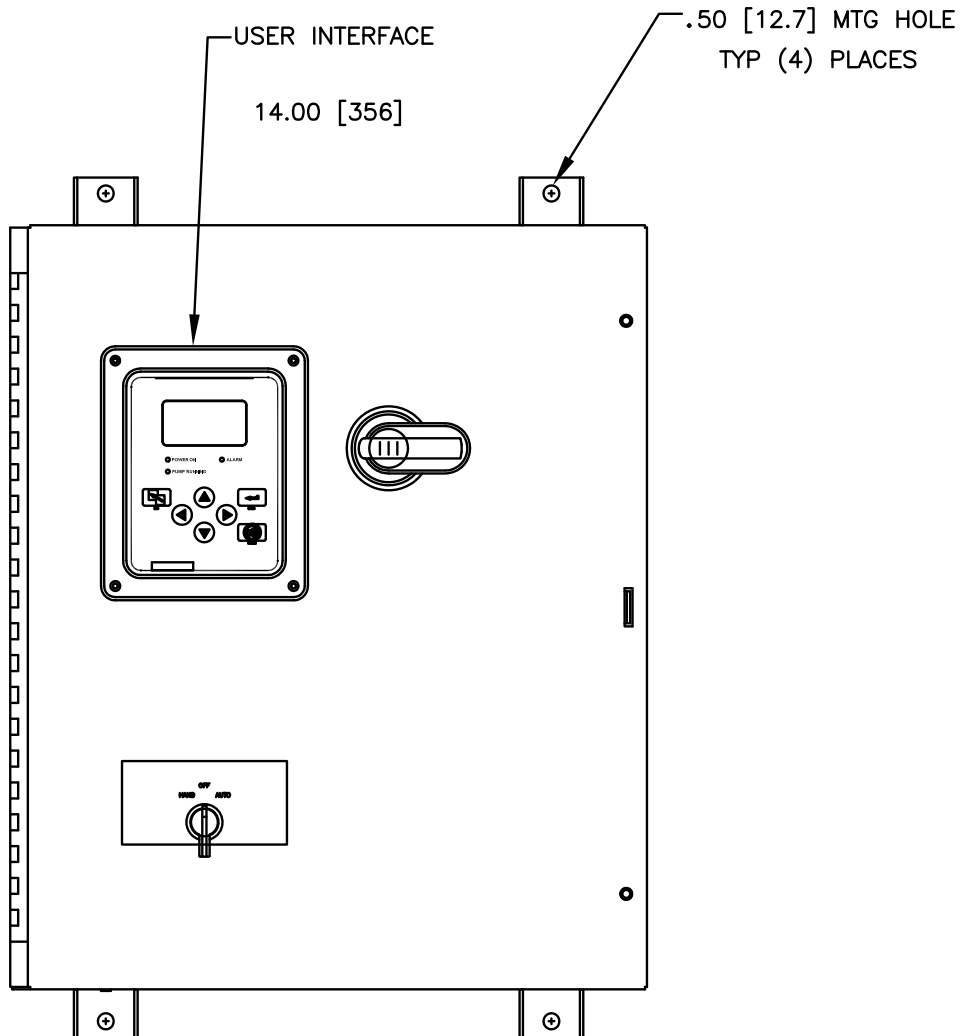


Jockey_{xG} Pump Controller - Wye-Delta Open Transition Starting



(DRAWINGS INCLUDED IN THIS PACKAGE ARE FOR STANDARD CONTROLLERS. ACTUAL "AS BUILT" DRAWINGS MAY DIFFER FROM THOSE SEEN HERE).

Firetrol, Inc.

3412 Apex Peakway
Apex, North Carolina 27502
P 919 460 5200
F 919 460 5250
www.firetrol.com

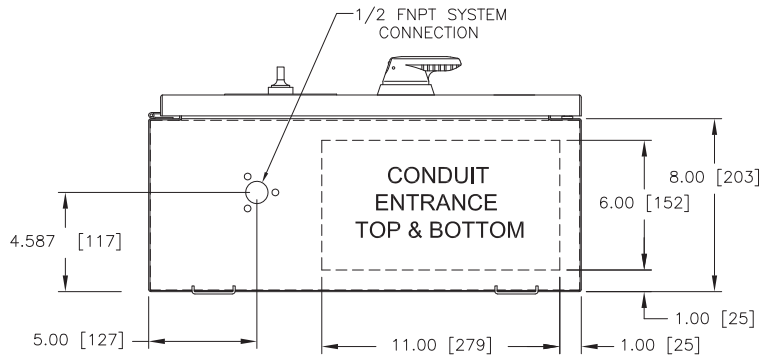
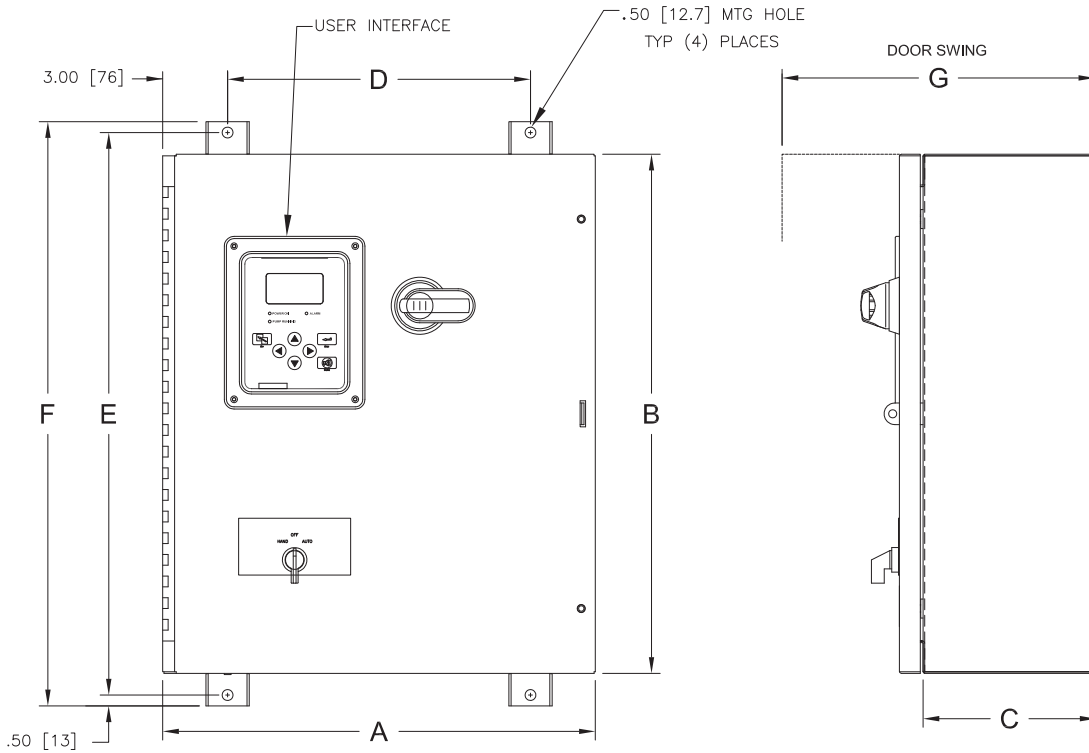
While every precaution has been taken to ensure accuracy and completeness herein, Firetrol, Inc. assumes no responsibility, and disclaims all liability, for damages resulting from use of this information or for any errors or omissions. Specifications and drawings are subject to change without notice. ©2019 Firetrol, Inc., All Rights Reserved.

Dimensions and Shipping Weight



FTA556E

Jockey_{XG} Pump Controllers - Wye-Delta Open Transition Starting

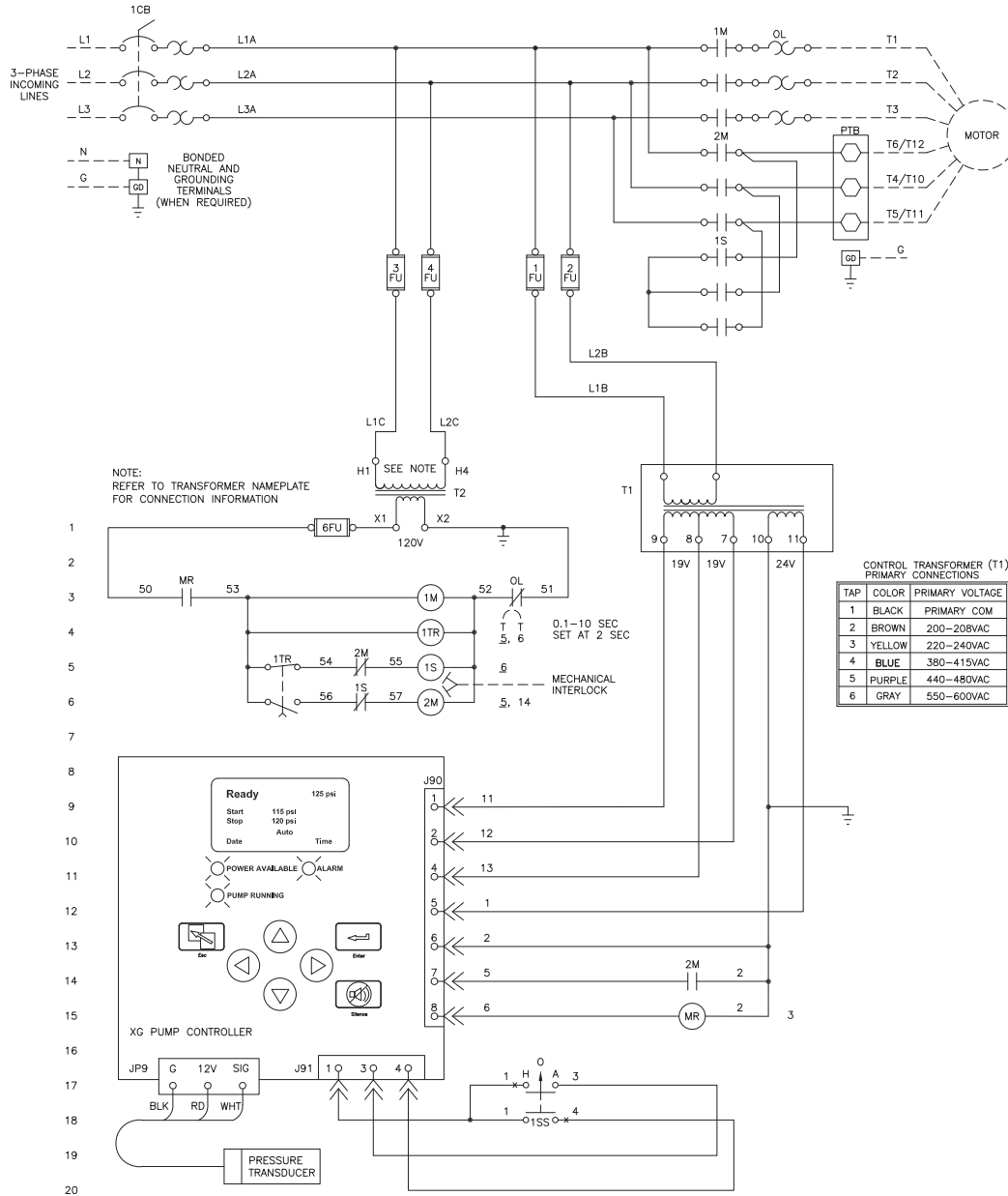


MAXIMUM HORSEPOWER					DIMENSIONS - INCHES [MILLIMETERS]							APPROX. SHIPPING WEIGHT LBS [KG]
200-208 VOLTS	220-240 VOLTS	380-415 VOLTS	440-480 VOLTS	550-600 VOLTS	A WIDE	B HIGH	C DEEP	D	E	F	G	
20	30	40	50	60	20 [508]	24 [610]	8 [203]	14 [356]	26 [660]	27 [686]	28 [712]	80 [36.2]
40	50	60	75	100	24 [610]	30 [762]	8 [203]	16 [406]	32 [812]	33 [838]	32 [812]	100 [45.5]

	SIZE	A	BY	DATE	UPDATED TITLE BLOCK				A	280596	JMW	TEF	08-28-19
	DRAWN BY	CIR	06-12-13	REVISION DESCRIPTION				REV	ECN NO	BY	APP	DATE	
	FINAL APPROVAL	TEF	06-12-13	DIMENSIONS & SHIPPING WEIGHT				FTA556E		DRAWING NUMBER			
					WYE-DELTA JOCKEY XG PUMP CONTROLLER				DD556-05				
© Firetrol, Inc. Not for construction. Subject to change without notice.								DWG REV	A	ECN NO	280596	SHEET 1 OF 1	

All rights reserved. The drawing and the information contained or depicted herein are the sole property of Firetrol, Inc. Copies are communicated to the recipient in strict confidence and may not be retransmitted, published, reproduced, copied or used in any manner, including as the basis for the manufacture or sale of any products, without the express prior written consent of Firetrol, Inc.

Jockey_{XG} Pump Controllers - Wye-Delta Open Transition Starting with C.B.



CONTROL TRANSFORMER (T1)
PRIMARY CONNECTIONS

TAP	COLOR	PRIMARY VOLTAGE
1	BLACK	PRIMARY COM
2	BROWN	200-208VAC
3	YELLOW	220-240VAC
4	BLUE	380-415VAC
5	PURPLE	440-480VAC
6	GRAY	550-600VAC

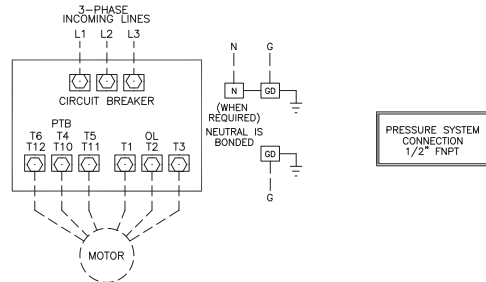
LINE TERMINALS—WIRE CAPACITY AND QUANTITY (CU) ①

MAXIMUM MOTOR HORSEPOWER					WIRE SIZE (CU) PER PHASE	WIRE SIZE (CU) NEUTRAL AND GROUND TERMINALS
200-208V	220-240V	380-415V	440-480V	550-600V		
15	15	25	30	50	(1) #14 AWG-#1/0 AWG (1) 2.5 MM ² -50 MM ²	(1) #14 AWG-#8 AWG (1) 2.5 MM ² -16 MM ²
25	30	40	50	-	(1) #14 AWG-#1/0 AWG (1) 2.5 MM ² -50 MM ²	(1) #14 AWG-#1/0 AWG (1) 2.5 MM ² -50 MM ²

MOTOR TERMINALS—WIRE CAPACITY AND QUANTITY (CU) ①

MAXIMUM MOTOR HORSEPOWER					WIRE SIZE (CU) PER PHASE (OL)	WIRE SIZE (CU) PER PHASE (PTB)
200-208V	220-240V	380-415V	440-480V	550-600V		
15	15	30	40	50	(1) #14 AWG-#8 AWG (1) 2.5 MM ² -10 MM ²	(1) #14 AWG-#8 AWG (1) 2.5 MM ² -10 MM ²
30	30	50	50	-	(1) #8 AWG-#1 AWG (1) 10 MM ² -35 MM ²	(1) #8 AWG-#2/0 AWG (1) 10 MM ² -70 MM ²

① FOR CORRECT WIRE SIZING, REFER TO NATIONAL ELECTRICAL CODE, NFPA 70.



THIRD ANGLE PROJECTION	SIZE	A	BY	GFD	DATE	06-05-13
	DRAWN BY	GFD	DATE	06-05-13		
	FINAL APPROVAL	GFD	DATE	06-05-13		

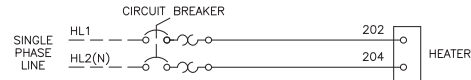


© Firetrol, Inc. Not for construction. Subject to change without notice.

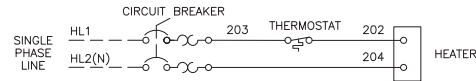
WIRING SCHEMATIC		A	280596	JMW	TEF	08-28-19
REVISION DESCRIPTION		REV	ECN NO	BY	APP	DATE
WIRING SCHEMATIC		FTA556E		DRAWING NUMBER		
WYE-DELTA JOCKEY XG PUMP CONTROLLER WITH CIRCUIT BREAKER				WS556-05		
DWG REV	A	ECN NO	280596	SHEET 1 OF 1		

Jockey_{XG} Pump Controllers - Wye-Delta Open Transition Starting with C.B.

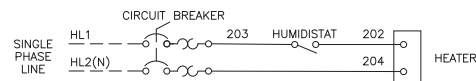
- MODIFICATION H - SPACE HEATER, 110-120VAC
- MODIFICATION L - SPACE HEATER, 220-240VAC



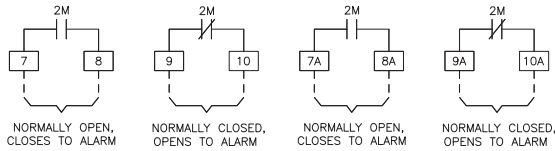
- MODIFICATION J - SPACE HEATER, 110-120VAC (WITH THERMOSTAT)
- MODIFICATION M - SPACE HEATER, 220-240VAC (WITH THERMOSTAT)



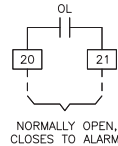
- MODIFICATION K - SPACE HEATER, 110-120VAC (WITH HUMIDISTAT)
- MODIFICATION N - SPACE HEATER, 220-240VAC (WITH HUMIDISTAT)



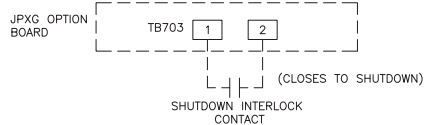
- MODIFICATION AC - PUMP OPERATING ALARM CONTACTS



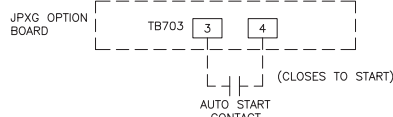
- MODIFICATION BY - PUMP OVERLOAD REMOTE ALARM CONTACT



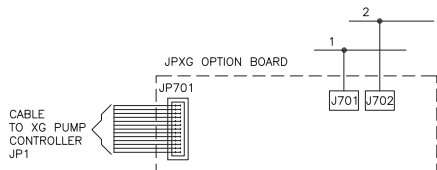
- MODIFICATION NZ - INTERLOCK SHUTDOWN IN AUTO



- MODIFICATION AST - REMOTE AUTO START INPUT

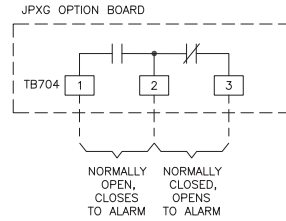


WIRING REQUIRED WHEN JPXG OPTION BOARD IS USED

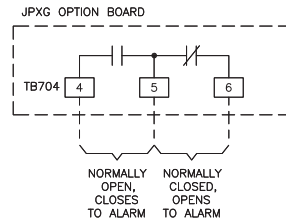


NOTE:
TERMINAL NUMBERS SUBJECT TO CHANGE

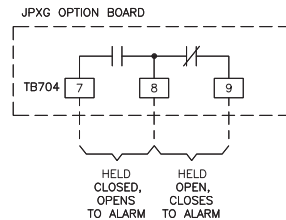
- MODIFICATION AM - PUMP FAILED TO START REMOTE ALARM CONTACTS



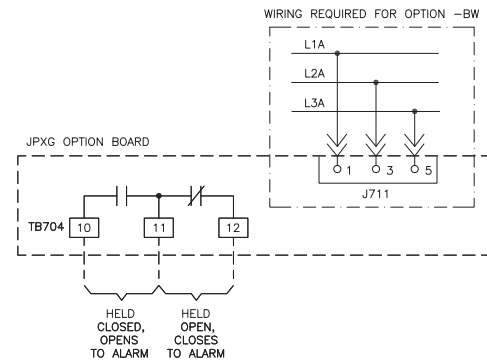
- MODIFICATION EF - SWITCH NOT IN AUTO REMOTE ALARM CONTACTS



- MODIFICATION KH - COMMON TROUBLE REMOTE ALARM CONTACTS



- MODIFICATION BW - PHASE FAILURE/REVERSAL REMOTE ALARM CONTACTS



CONTROL AND ALARM TERMINAL WIRE CAPACITY	
JPXG OPTION BOARD TERMINALS	#18-12 AWG [0.75-4 MM ²]
PUMP OPERATING TERMINALS	#14-12 AWG [2.5-4 MM ²]
CIRCUIT BREAKERS	#14-4 AWG [2.5-25 MM ²]

	SIZE	A	BY	TEF	DATE	06-05-13	<p>© Firetrol, Inc. Not for construction. Subject to change without notice.</p>	UPDATED TITLE BLOCK		A	280596	JMW	TEF	08-28-19	
	DRAWN BY	TEF	REVISION DESCRIPTION		REV	ECN NO		BY	APP	DATE	DRAWING NUMBER				
	FINAL APPROVAL	TEF	WIRING SCHEMATIC		FTA556E			WS556-06							
	WYE-DELTA JOCKEY XG PUMP CONTROLLER OPTIONS AND MODIFICATIONS		DWG REV	A	ECN NO	280596		SHEET 1 OF 1							

All rights reserved. The drawing and the information contained or depicted herein are the sole property of Firetrol, Inc. Copies are communicated to the recipient in strict confidence and may not be retransmitted, published, reproduced, copied or used in any manner, including as the basis for the manufacture or sale of any products, without the express prior written consent of Firetrol, Inc.