

(DRAWINGS INCLUDED IN THIS PACKAGE ARE FOR STANDARD
CONTROLLERS. ACTUAL "AS BUILT" DRAWINGS MAY DIFFER
FROM THOSE SEEN HERE).

Firetrol, Inc.

3362 Apex Peakway
Apex, North Carolina 27502
P 919 460 5200
F 919 460 5250
www.firetrol.com

While every precaution has been taken to ensure accuracy and completeness herein, Firetrol, Inc. assumes no responsibility, and disclaims all liability, for damages resulting from use of this information or for any errors or omissions. Specifications and drawings are subject to change without notice. ©2024 Firetrol, Inc., All Rights Reserved.



BY DD/MM/YY

DRAWN BY ACD 15/05/23

FINAL APPROVAL FC 15/05/23

JOCKEY PUMP CONTROLLER

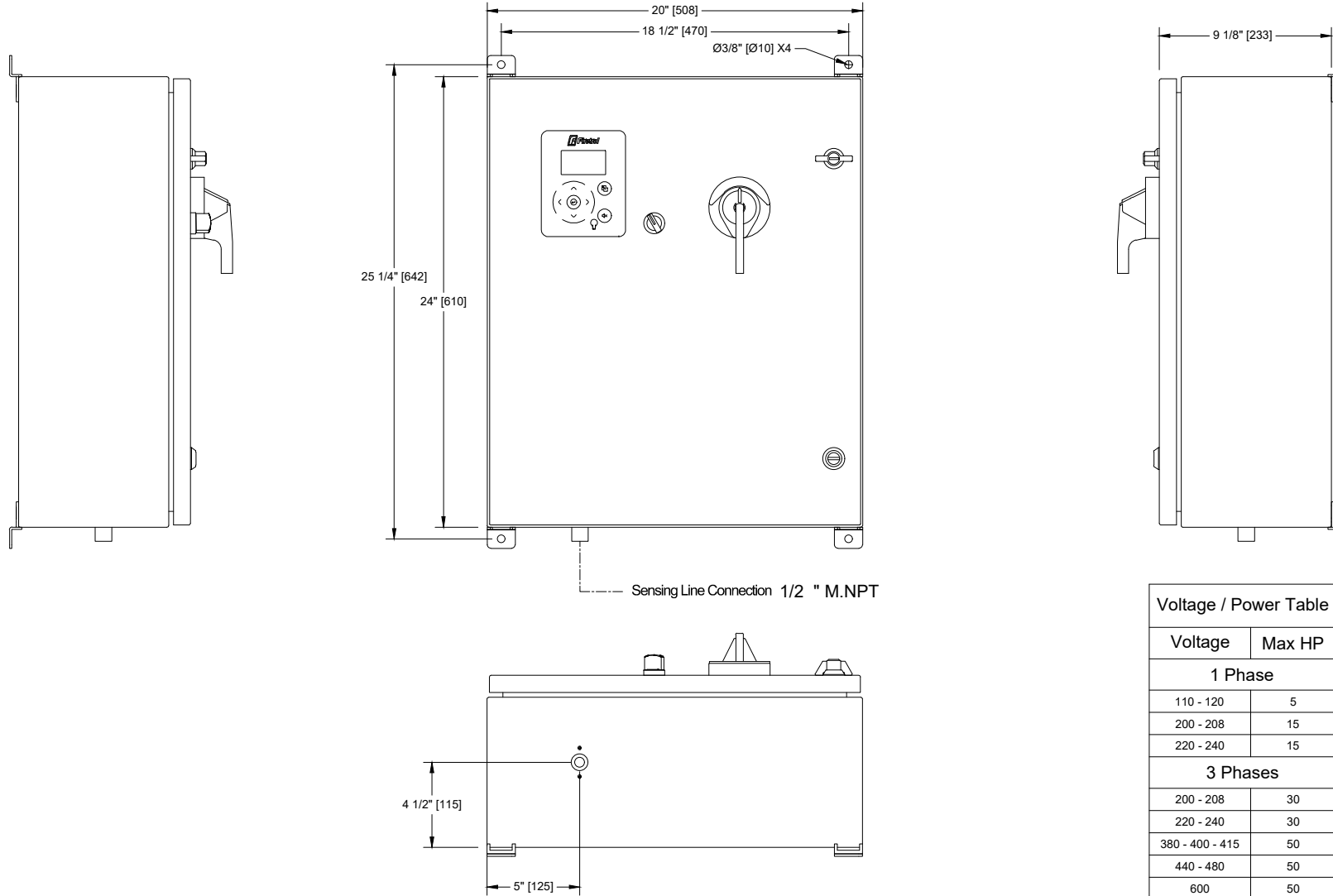
MODEL: FTA570E

BUILT TO THE LATEST EDITION OF THE UL 508A



DRAWING NUMBER
DD570E-001/E
DWG REV. 0
SHEET 1 OF 1

© Firetrol, Inc. Not for construction.
Subject to change without notice.



Voltage / Power Table	
Voltage	Max HP
1 Phase	
110 - 120	5
200 - 208	15
220 - 240	15
3 Phases	
200 - 208	30
220 - 240	30
380 - 400 - 415	50
440 - 480	50
600	50

- Notes:**
- Standard NEMA: NEMA 2
 - Standard Paint: Textured Red RAL 3002.
 - All Dimensions are in Inches [Millimeters]
 - Use Watertight Conduit and Connector Only.
 - Protect Equipment Against Drilling Chips.
 - Door Swing Equal to Door Width

Drawing for information only.
 Manufacturer reserves the right to modify this drawing without notice.
 Contact manufacturer for "As Built" drawing.
 *Dimensions may change depending on option required. Consult Factory for exact dimensions.



© Firetrol, Inc. Not for construction.
Subject to change without notice.

BY		DD/MM/YY
DRAWN BY	ACD	15/05/23
FINAL APPROVAL	FC	15/05/23

JOCKEY PUMP CONTROLLER ACROSS THE LINE / 3 PHASES

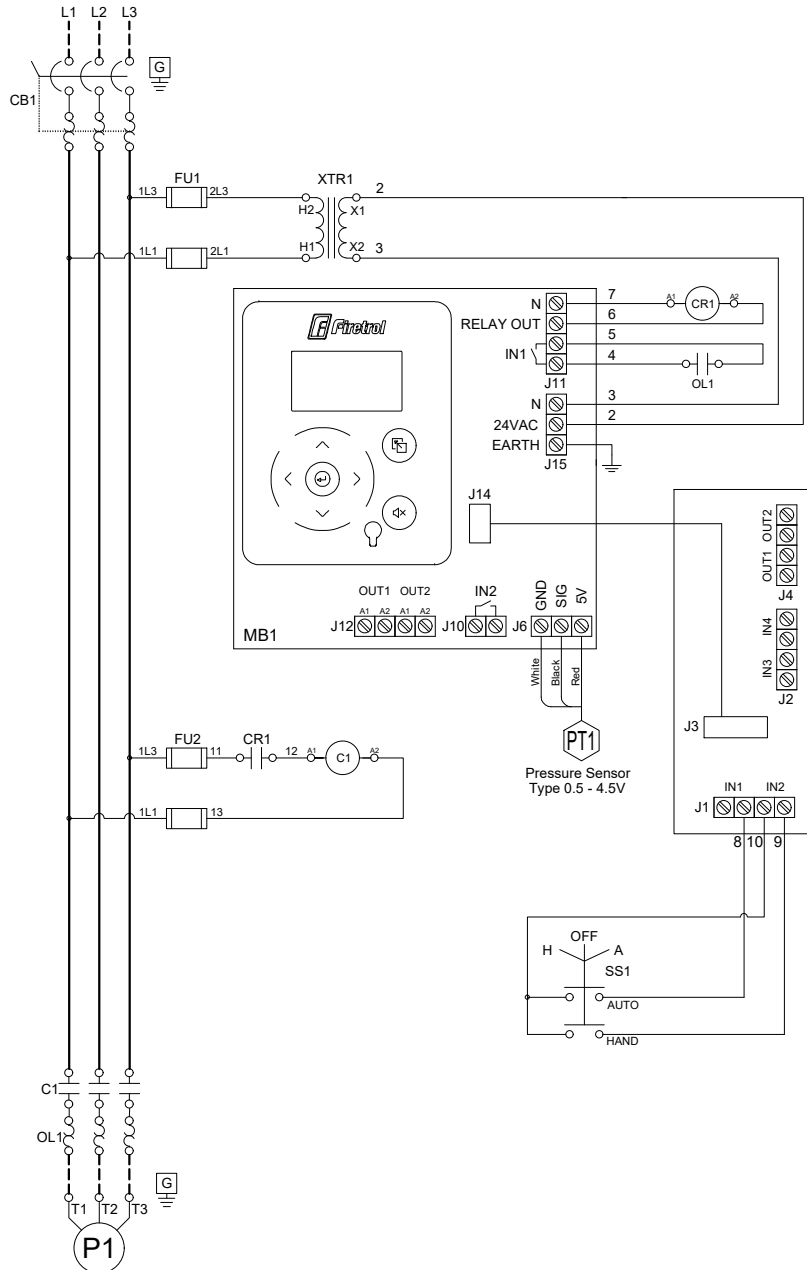
MODEL: FTA570E

BUILT TO THE LATEST EDITION OF THE UL 508A



NYC
Dpt of Building
Approved

DRAWING NUMBER
WS570E-003/E
DWG REV. 0
SHEET 1 OF 1





© Firetrol, Inc. Not for construction.
Subject to change without notice.

BY		DD/MM/YY
DRAWN BY	ACD	15/05/23
FINAL APPROVAL	FC	15/05/23

JOCKEY PUMP CONTROLLER ACROSS THE LINE / 1 PHASE

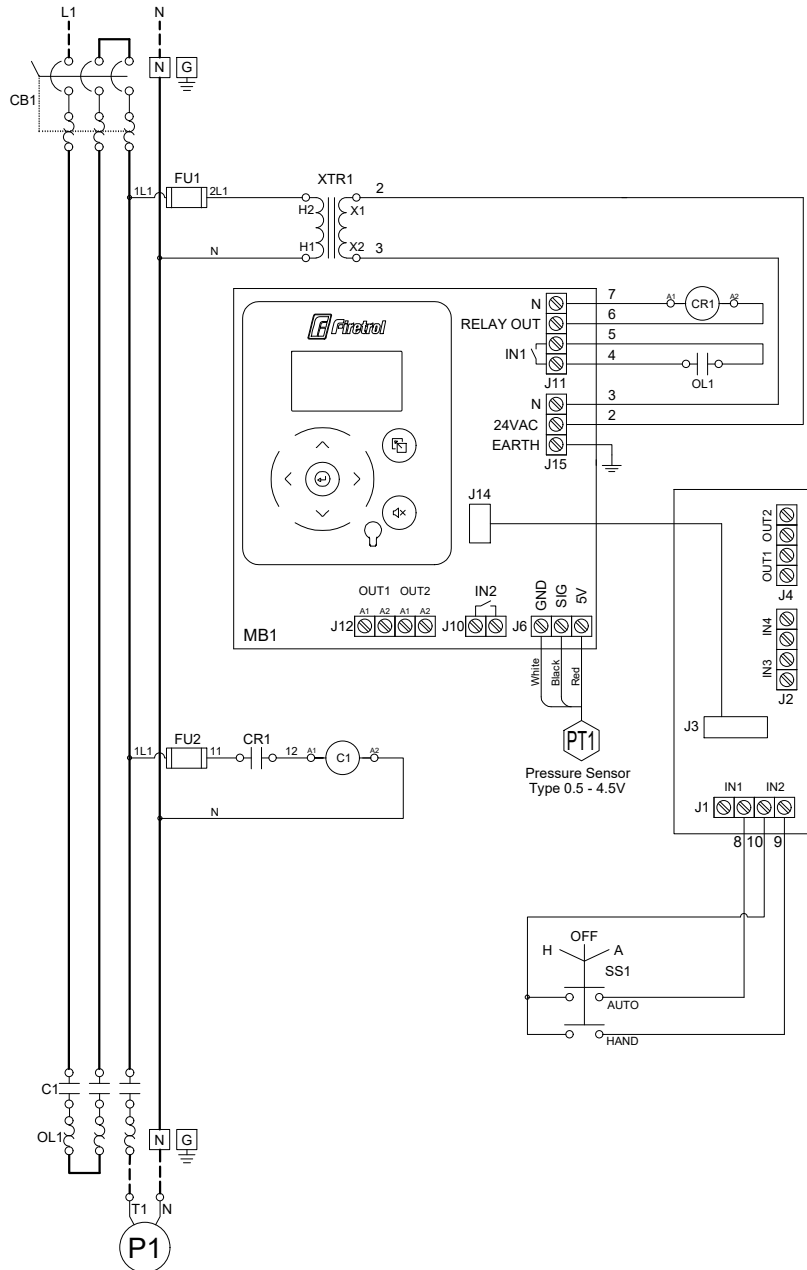
MODEL: FTA570E

BUILT TO THE LATEST EDITION OF THE UL 508A



NYC
Dpt of Building
Approved

DRAWING NUMBER	WS570E-001/E
DWG REV. 0	
SHEET 1 OF 1	





© Firetrol, Inc. Not for construction.
Subject to change without notice.

BY		DD/MM/YY
DRAWN BY	ACD	15/05/23
FINAL APPROVAL	FC	15/05/23

JOCKEY PUMP CONTROLLER ACROSS THE LINE / 1 PHASE

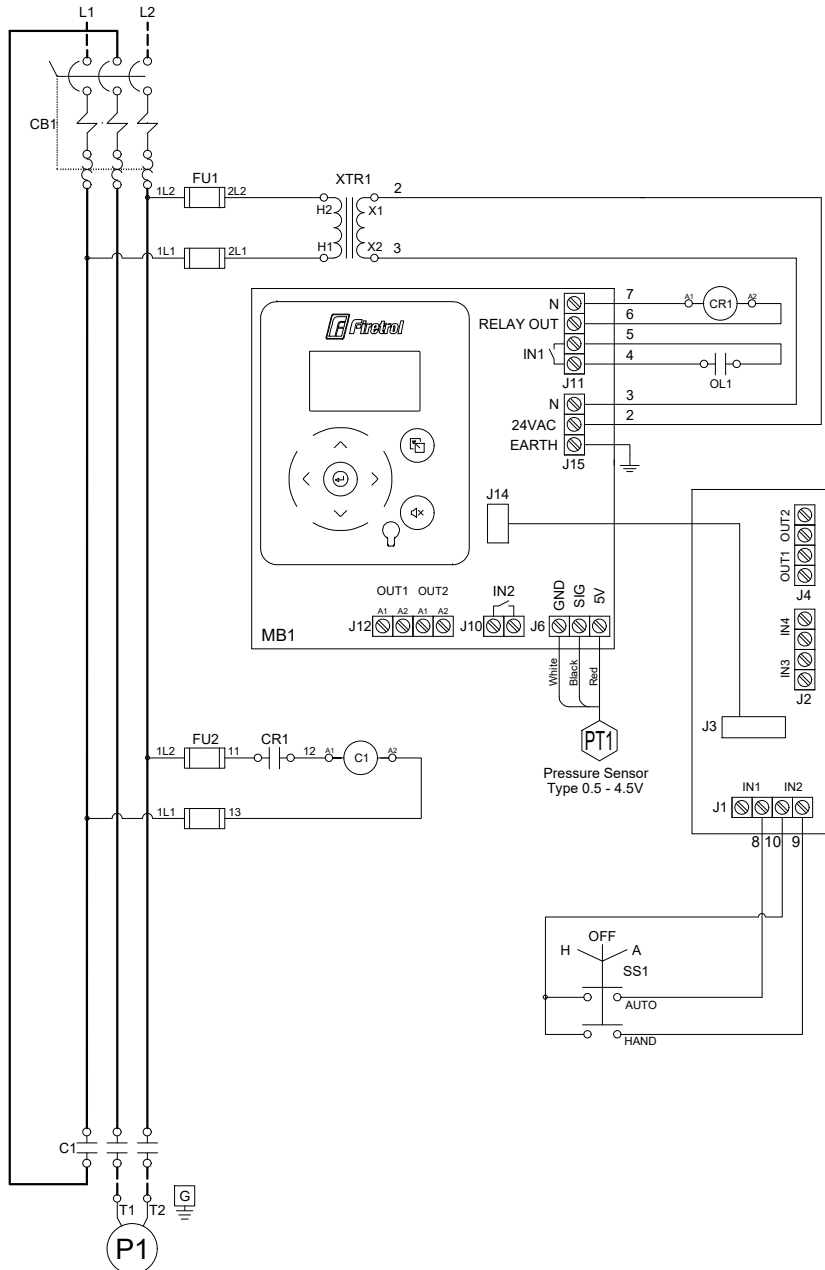
MODEL: FTA570E

BUILT TO THE LATEST EDITION OF THE UL 508A



NYC
Dpt of Building
Approved

DRAWING NUMBER
WS570E-002/E
DWG REV. 0
SHEET 1 OF 1





© Firetrol, Inc. Not for construction.
Subject to change without notice.

	BY	DD/MM/YY
DRAWN BY	ACD	15/05/23
FINAL APPROVAL	FC	15/05/23

JOCKEY PUMP CONTROLLER ACROSS THE LINE / 3 PHASES

MODEL: FTA570E

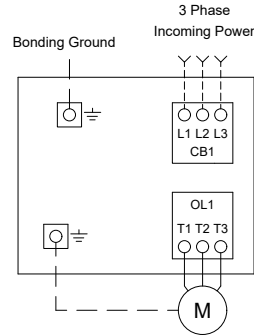
BUILT TO THE LATEST EDITION OF THE UL 508A



NYC
Dept of Building
Approved

DRAWING NUMBER
FC570E-003/E
DWG REV. 0
SHEET 1 OF 1

Power Connections and Motor Connections



Line Terminals (L1,L2,L3,GND)

Maximum Motor Horsepower					Wire Size Copper Only	Torque	Wire Size Ground Copper Only
200-208V	220-240V	380-416V	440-480V	575-600V			
30HP	30HP	50HP	50HP	50HP	#14 AWG - #1 AWG	9 Nm	#14 AWG - #2 AWG

Motor Terminals (T1,T2,T3,GND)

Maximum Motor Horsepower					Wire Size Copper Only	Torque	Wire Size Ground Copper Only
200-208V	220-240V	380-416V	440-480V	575-600V			
7.5HP	10HP	15HP	20HP	25HP	#14 AWG - #8 AWG	5 Nm	#14 AWG - #2 AWG
20HP	20HP	30HP	40HP	50HP	#14 AWG - #2 AWG	5 Nm	#12 AWG - #2 AWG
25HP	30HP	50HP	50HP	-	#10 AWG - #1 AWG	9 Nm	#12 AWG - #2 AWG



© Firetrol, Inc. Not for construction.
Subject to change without notice.

	BY	DD/MM/YY
DRAWN BY	ACD	15/05/23
FINAL APPROVAL	FC	15/05/23

JOCKEY PUMP CONTROLLER ACROSS THE LINE / 1 PHASE

MODEL: FTA570E

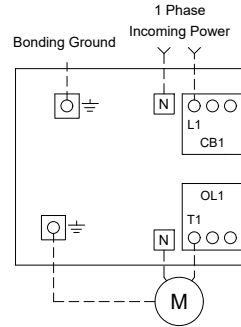
BUILT TO THE LATEST EDITION OF THE UL 508A



NYC
Dpt of Building
Approved

DRAWING NUMBER
FC570E-001/E
DWG REV. 0
SHEET 1 OF 1

Power Connections and Motor Connections



Line Terminals (L1,N,GND)

Maximum Motor Horsepower	Wire Size Copper Only	Torque	Wire Size Ground Copper Only
120V	#14 AWG - #1 AWG	9 Nm	#14 AWG - #2 AWG
5HP			

Motor Terminals (T1,N,GND)

Maximum Motor Horsepower	Wire Size Copper Only	Torque	Wire Size Ground Copper Only
120V	#14 AWG - #8 AWG	5 Nm	#14 AWG - #2 AWG
2HP			
3HP	#14 AWG - #2 AWG	5 Nm	#12 AWG - #2 AWG
5HP	#10 AWG - #1 AWG	9 Nm	#12 AWG - #2 AWG



© Firetrol, Inc. Not for construction.
Subject to change without notice.

	BY	DD/MM/YY
DRAWN BY	ACD	15/05/23
FINAL APPROVAL	FC	15/05/23

JOCKEY PUMP CONTROLLER ACROSS THE LINE / 1 PHASE

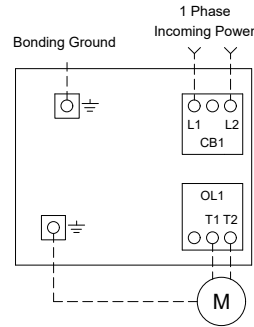
MODEL: FTA570E

BUILT TO THE LATEST EDITION OF THE UL 508A



DRAWING NUMBER
FC570E-002/E
DWG REV. 0
SHEET 1 OF 1

Power Connections and Motor Connections



Line Terminals (L1,L2,GND)

Maximum Motor Horsepower		Wire Size Copper Only	Torque	Wire Size Ground Copper Only
200-208V	220-240V			
5HP	5HP	#14 AWG - #1 AWG	9 Nm	#14 AWG - #2 AWG

Motor Terminals (T1,T2,GND)

Maximum Motor Horsepower		Wire Size Copper Only	Torque	Wire Size Ground Copper Only
200-208V	220-240V			
3HP	5HP	#14 AWG - #8 AWG	5 Nm	#14 AWG - #2 AWG
10HP	10HP	#14 AWG - #2 AWG	5 Nm	#12 AWG - #2 AWG
15HP	15HP	#10 AWG - #1 AWG	9 Nm	#12 AWG - #2 AWG