

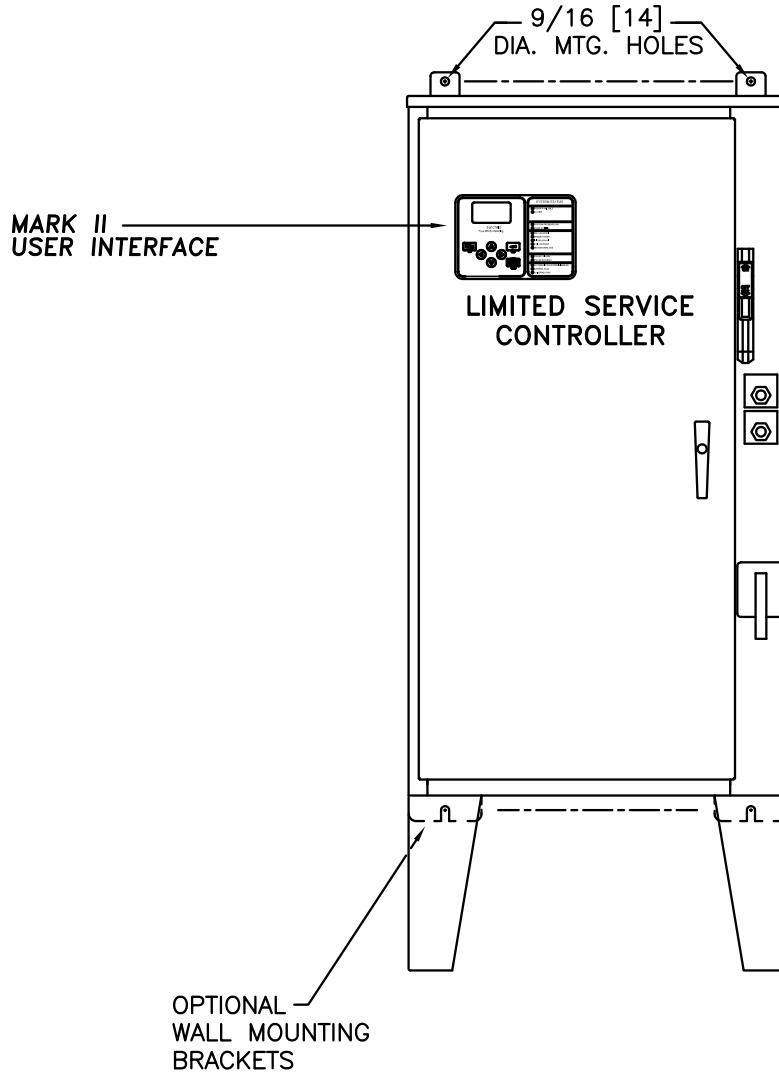


Mark IIxg 1Ø Limited Service Electric
Fire Pump Controller

Standard Drawing Package

FTA740

Single Phase Starting



(DRAWINGS INCLUDED IN THIS PACKAGE ARE FOR STANDARD
CONTROLLERS. ACTUAL "AS BUILT" DRAWINGS MAY DIFFER
FROM THOSE SEEN HERE).

Firetrol, Inc.

3412 Apex Peakway
Apex, North Carolina 27502
P 919 460-5200
F 919 460 5250
www.firetrol.com

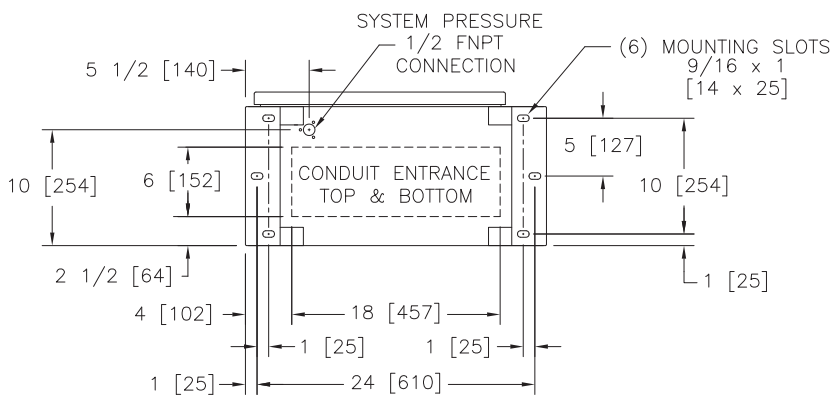
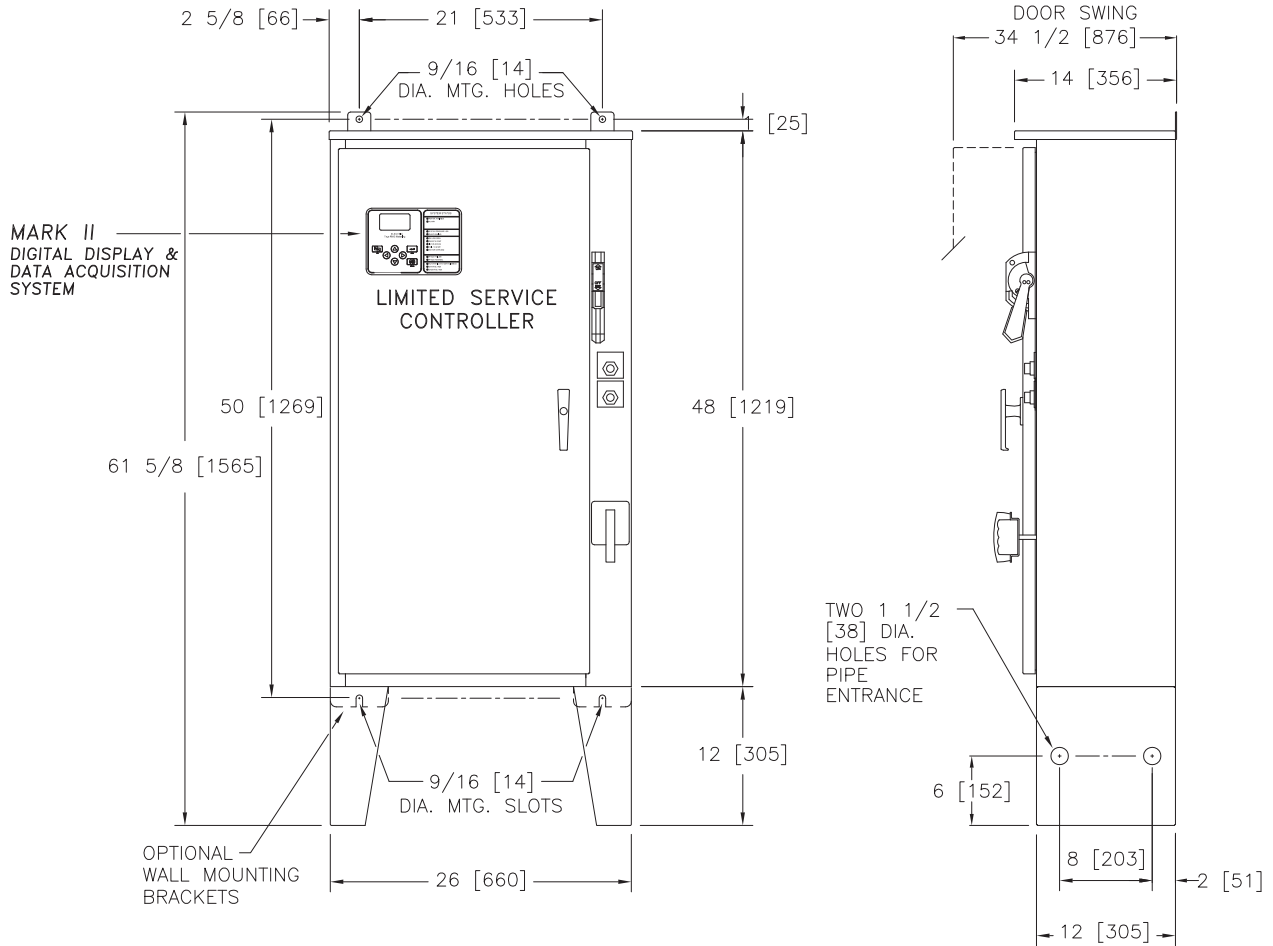
While every precaution has been taken to ensure accuracy and completeness herein, Firetrol, Inc. assumes no responsibility, and disclaims all liability, for damages resulting from use of this information or for any errors or omissions. Specifications and drawings are subject to change without notice. ©2019 Firetrol, Inc., All Rights Reserved.

Publication IM740 Rev. J



Mark IIx6 IØ Limited Service Electric Fire Pump Controllers

Dimensions and Shipping Weight
FTA740
 Single Phase Starting



APPROXIMATE SHIPPING WEIGHT
 200 [91]

DO NOT INSTALL IN AMBIENT TEMPERATURES BELOW 41°F [5°C].

ALL DIMENSIONS – INCHES [MM]
 SHIPPING WEIGHT – POUNDS [KG]

DIMENSIONS SHOWN ON THIS DRAWING ARE APPLICABLE FOR NEMA TYPES 2/3R/4/4X/12

	SIZE	A	BY	DATE
	DRAWN BY	TEF	06-04-13	
	FINAL APPROVAL	TEF	06-04-13	



© Firetrol, Inc. Not for construction. Subject to change without notice.

UPDATED TITLE BLOCK		A	280889	JMW	TEF	09-16-19
NEW ISSUE		-	242752	YEF	TEF	06-04-13
REVISION DESCRIPTION		REV	ECN NO	BY	APP	DATE
DIMENSIONS & SHIPPING WEIGHT		FTA740		DRAWING NUMBER		
SINGLE PHASE LIMITED SERVICE FIRE PUMP CONTROLLER		DD740-51				
DWG REV	A	ECN NO	280889	SHEET 1 OF 1		

All rights reserved. The drawing and the information contained or depicted herein are the sole property of Firetrol, Inc. Copies are communicated to the recipient in strict confidence and may not be retransmitted, published, reproduced, copied or used in any manner, including as the basis for the manufacture or sale of any products, without the express prior written consent of Firetrol, Inc.



Mark IIx6 IØ Limited Service Electric Fire Pump Controllers

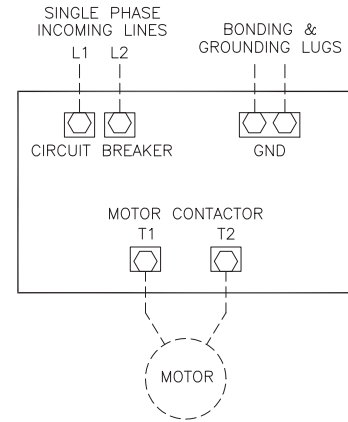
Field Connections

FTA740

Single Phase Starting

LINE TERMINALS—WIRE CAPACITY AND QUANTITY (CU) ①

MAXIMUM MOTOR HORSEPOWER 200–240V	WIRE SIZE (CU) PER PHASE	WIRE SIZE GROUND LUG (CU)
15	(1) #14 AWG—#1/0 AWG (1) 2.5 MM ² – 50 MM ²	(2) #14 AWG—#2/0 AWG (2) 2.5 MM ² – 70 MM ²



MOTOR TERMINALS—WIRE CAPACITY AND QUANTITY (CU) ①

MAXIMUM MOTOR HORSEPOWER 200–240V	WIRE SIZE (CU) PER PHASE
15	(1) #6 AWG—#2/0 AWG (1) 16 MM ² – 70 MM ²

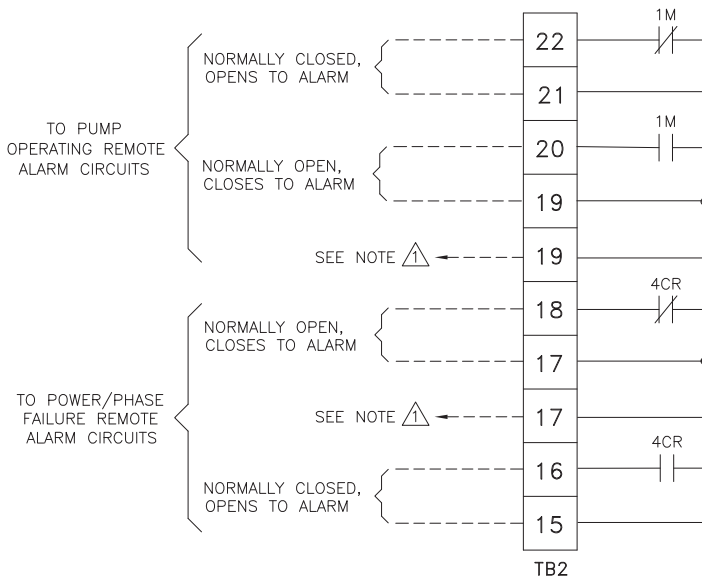
① FOR CORRECT WIRE SIZING, REFER TO NATIONAL ELECTRICAL CODE, NFPA 70.

NOTES

1— Incoming line terminals are provided to accommodate wire sizes at 125% of motor full load current per NFPA 70, *National Electrical Code*, Table 430–248, Section 695.6(c), and Table 310–16, 75° rated Copper conductors.

2— Motor connections shown are typical. Since motor connections vary widely, refer to the motor connection diagram for specific wiring arrangement.

REMOTE ALARM TERMINAL BLOCKS



PRESSURE SYSTEM CONNECTION
1/2" FNPT

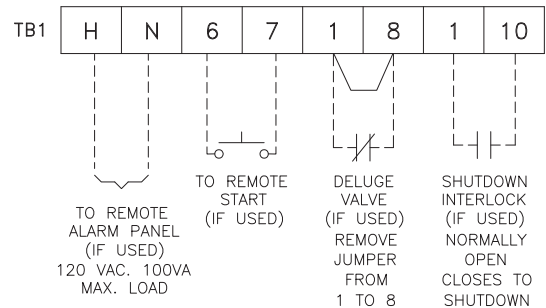
—NOTE—
ALARM CONTACT RATING PILOT DUTY
250 VAC, 30 VDC
10 A. MAX. LOAD

△ SPARE TERMINALS PROVIDED FOR PARALLEL CONNECTION OF REMOTE ALARMS (IF REQUIRED)

NOTE: TERMINALS FOR CUSTOMER CONNECTIONS REQUIRE 3.5MM SLOTTED SCREW DRIVER

TERMINAL TIGHTENING TORQUE		
TERMINAL TYPE	WIRE SIZE	TIGHTENING TORQUE
CONTROL AND ALARM TERMINALS	#14–12 AWG [2.5–4 MM ²]	5.6 lb-in [.6 Nm]

CONTROL TERMINAL BLOCKS



UPDATED TITLE BLOCK		A	280889	JMW	TEF	09-16-19
NEW ISSUE		-	242752	TEF	TEF	06-04-13
REVISION DESCRIPTION		REV	ECN NO	BY	APP	DATE
FIELD CONNECTIONS		FTA740		DRAWING NUMBER		
SINGLE PHASE LIMITED SERVICE CONTROLLER				FC740-50		
DWG REV A		ECN NO 280889		SHEET 1 OF 1		

SIZE	A	BY	DATE
DRAWN BY	TEF	06-04-13	
FINAL APPROVAL	TEF	06-04-13	



© Firetrol, Inc. Not for construction. Subject to change without notice.

All rights reserved. The drawing and the information contained or depicted herein are the sole property of Firetrol, Inc. Copies are communicated to the recipient in strict confidence and may not be retransmitted, published, reproduced, copied or used in any manner, including as the basis for the manufacture or sale of any products, without the express prior written consent of Firetrol, Inc.

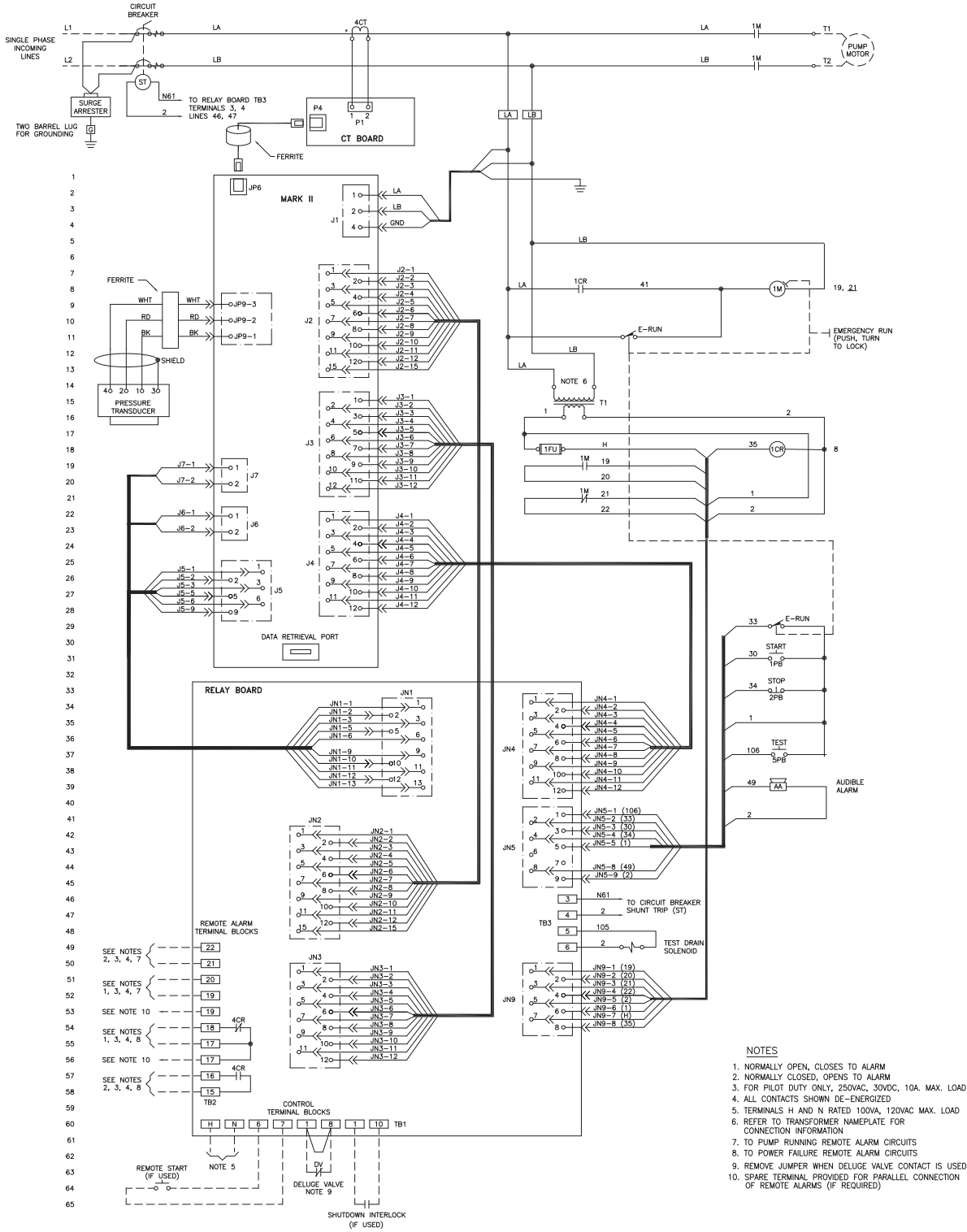


Mark IIx6 IØ Limited Service Electric Fire Pump Controllers

Wiring Schematic

FTA740

Single Phase Starting



- NOTES**
1. NORMALLY OPEN, CLOSES TO ALARM
 2. NORMALLY CLOSED, OPENS TO ALARM
 3. FOR PILOT DUTY ONLY, 250VAC, 30VDC, 10A. MAX. LOAD
 4. ALL CONTACTS SHOWN DE-ENERGIZED
 5. TERMINALS H AND N RATED 100VA, 120VAC MAX. LOAD
 6. REFER TO TRANSFORMER NAMEPLATE FOR CONNECTION INFORMATION
 7. TO PUMP RUNNING REMOTE ALARM CIRCUITS
 8. TO POWER FAILURE REMOTE ALARM CIRCUITS
 9. REMOVE JUMPER WHEN DELUGE VALVE CONTACT IS USED
 10. SPARE TERMINAL PROVIDED FOR PARALLEL CONNECTION OF REMOTE ALARMS (IF REQUIRED)

UPDATED TITLE BLOCK		B	280889	JMW	TEF	09-16-19
REVISED TO BE IN COMPLIANCE WITH UL218 THIRD EDITION		A	271029	JMW	TEF	02-07-18
REVISION DESCRIPTION		REV	ECN NO	BY	APP	DATE
WIRING SCHEMATIC		FTA740		DRAWING NUMBER		
SINGLE PHASE LIMITED SERVICE CONTROLLER				WS740-50		
DWG REV B		ECN NO 280889		SHEET 1 OF 1		

THIRD ANGLE PROJECTION	SIZE	A	BY	DATE
	DRAWN BY	TEF	06-04-13	
	FINAL APPROVAL	TEF	06-04-13	



© Firetrol, Inc. Not for construction. Subject to change without notice.