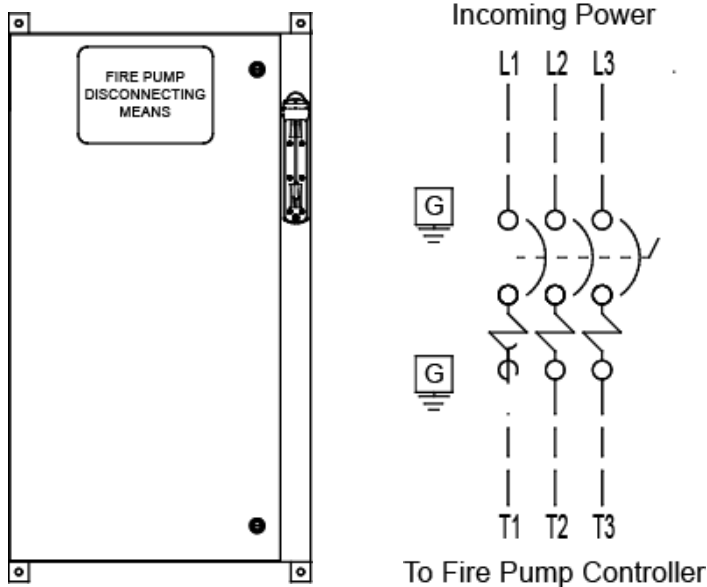


Electric Fire Pump Controller - Upstream Disconnecting Means

Project Information



**DRAWINGS INCLUDED IN THIS PACKAGE ARE FOR STANDARD CONTROLLERS. ACTUAL "AS BUILT" DRAWINGS MAY DIFFER FROM THOSE SHOWN HERE.**

**Firetrol, Inc.**

3412 Apex Peakway  
Apex, North Carolina 27502  
P +1 919 460 5200  
F +1 919 460 5250  
www.firetrol.com

While every precaution has been taken to ensure accuracy and completeness herein, Firetrol, Inc. assumes no responsibility, and disclaims all liability, for damages resulting from use of this information or for any errors or omissions. Specifications and drawings are subject to change without notice.  
©2022 Firetrol, Inc., All Rights Reserved.

# UL Listed Disconnecting Means for Use With Electric Fire Pump Controllers

FTA990

Specifications

## 1.0 Disconnecting Means

The UL Listed disconnecting means shall be a model FTA990, manufactured by Firetrol, Inc. The unit shall be factory assembled and tested. The FTA990 shall be specifically designed to assure complete upstream overcurrent protection coordination with the electric fire pump controller. A flange mounted disconnect handle lockable in the closed (ON) position shall be standard.

## 1.1 Standards, Listings & Approvals

The FTA990 shall be:

- Suitable for use as service equipment
- UL Listed for fire pump service per:
  - NFPA70 (*National Electrical Code*) 695.4(B)(2)(a)(2) - Normal Power Circuit
  - NFPA70 (*National Electrical Code*) 695.4(B)(3)(c) - Markings
  - NFPA70 (*National Electrical Code*) 695.3(F)(2) - Alternate Power Circuit
- NFPA20 (*Standard for the Installation of Stationary Pumps for Fire Protection*) 9.2.3.4.1

## 1.2 Enclosure

The components shall be housed in a NEMA Type 2 (IEC IP22) enclosure.

## 1.3 Overcurrent Protection Characteristics:

- The protective device shall NOT open within 2 minutes at 600% of the full load current of the fire pump motor(s).
- The protective device shall NOT open with a re-start transient of 24 times the full load current of the fire pump motor(s).
- The protective device shall NOT open within 10 minutes at 300% of the full load current of the fire pump motor(s).
- The trip point for circuit breaker shall NOT be field adjustable.

3412 Apex Peakway  
Apex, North Carolina 27502  
P +1 919 460 5200  
F +1 919 460 5250  
www.firetrol.com

While every precaution has been taken to ensure accuracy and completeness herein, Firetrol, Inc. assumes no responsibility, and disclaims all liability, for damages resulting from use of this information or for any errors or omissions. Specifications and drawings are subject to change without notice. ©2019 Firetrol, Inc. All Rights Reserved.

***Firetrol, Inc.***

Publication SP990-01

---

Electric Fire Pump Controllers - Upstream Disconnecting Means

---



**Standard Features**—The following are included as standard with each controller:

- Suitable for use as service equipment
- NEMA Type 2 (IP22) Enclosure
- Flange mounted disconnect handle lockable in the “ON” position

**Overcurrent Protection Characteristics:**

- The protective device shall NOT open within 2 minutes at 600% of the full load current of the fire pump motor(s).
- The protective device shall NOT open with a re-start transient of 24 times the full load current of the fire pump motor(s).
- The protective device shall NOT open within 10 minutes at 300% of the full load current of the fire pump motor(s).
- The trip point for circuit breaker shall NOT be field adjustable.

**Description**—Firetrol FTA990 Disconnecting Devices provide a UL Listed means of disconnecting and isolating the fire pump controller from the incoming power source. The FTA990 gives overcurrent protection coordination upstream of the fire pump controller.

**Approvals**

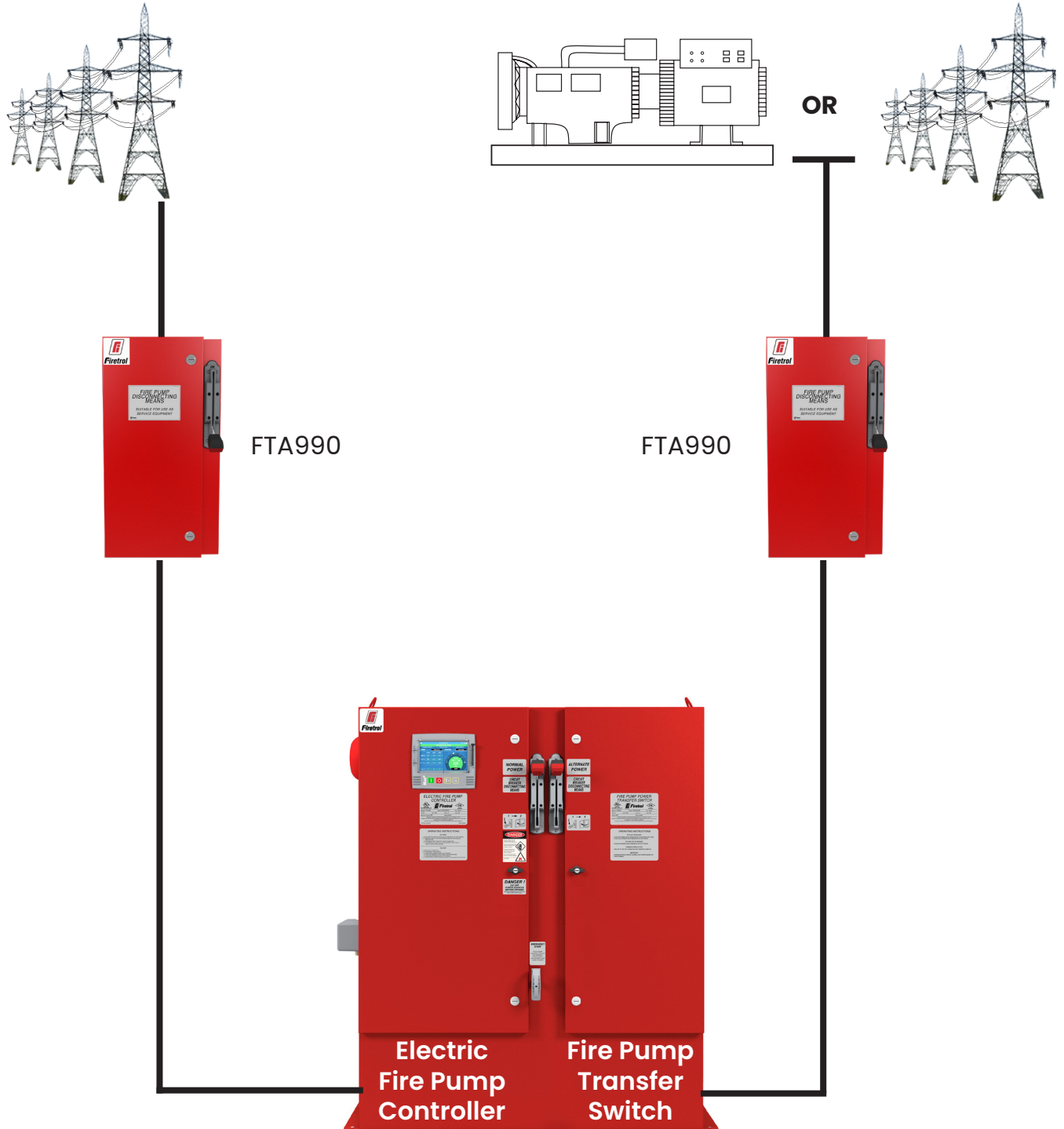
—UL Listed for fire pump service per:

- NFPA70 (*National Electrical Code*)  
695.4(B)(2)(a)(2) - Normal Power Circuit
- NFPA70 (*National Electrical Code*)  
695.4(B)(3)(c) - Markings
- NFPA70 (*National Electrical Code*)  
695.3(F)(2) - Alternate Power Circuit
  
- NFPA20 (*Standard for the Installation of Stationary Pumps for Fire Protection*)  
9.2.3.4.1

For Model Number Information and Options & Modifications see Publication SD990-01

# NORMAL POWER

# EMERGENCY POWER



## **Firetrol, Inc.**

3412 Apex Peakway  
Apex, North Carolina 27502  
P +1 919 460 5200  
F +1 919 460 5250  
www.firetrol.com

*While every precaution has been taken to ensure accuracy and completeness herein, Firetrol, Inc. assumes no responsibility, and disclaims all liability, for damages resulting from use of this information or for any errors or omissions. Specifications and drawings are subject to change without notice. ©2020 Firetrol, Inc., All Rights Reserved.*

## Electric Fire Pump Controllers - Upstream Disconnecting Means

### ELECTRIC FIRE PUMP CONTROLLER UPSTREAM DISCONNECTING MEANS

Example: **FTA990-M100B-xxx**

Controller Model Number

Short Circuit Current Rating

<b>200 - 208V</b> Standard SCCR 5-200 HP - "M" 100kA
<b>220 - 240V</b> Standard SCCR 5-200 HP - "M" 100kA
<b>380 - 415V</b> Standard SCCR 5-300 HP - "M" 65kA
<b>440 - 480V</b> Standard SCCR 5-400 HP - "M" 65kA
<b>600V</b> Standard SCCR 5-75 HP - "M" 20kA 100-150 HP - "M" 25kA 200-300 HP - "M" 30kA 350-450 HP - "M" 42kA

<b>Options</b> -MZN - Neutral Lug, Service Entrance, Non-Insulated, Bonded to Enclosure
--

<b>Three Phase Voltage</b> A - 220-240 Volt, 60 Hertz (230 V) AZ - 220-230 Volt, 50 Hertz B - 440-480 Volt, 60 Hertz (460 V) BZ - 415 Volt, 50 Hertz C - 550-600 Volt, 60 Hertz (575 V) F - 380 Volt, 60 Hertz FZ - 380 Volt, 50 Hertz FF - 400 Volt, 60 Hertz FX - 400 Volt, 50 Hertz H - 208 Volt, 60 Hertz HH - 200 Volt, 60 Hertz
--

Note: Consult factory for HP or SCCR ratings not listed here.

<b>Horsepower Rating</b>	
03 - 3 HP	100 - 100 HP
05 - 5 HP	125 - 125 HP
07 - 7 1/2 HP	150 - 150 HP
10 - 10 HP	200 - 200 HP
15 - 15 HP	250 - 250 HP
20 - 20 HP	300 - 300 HP
25 - 25 HP	350 - 350 HP
30 - 30 HP	400 - 400 HP
40 - 40 HP	450 - 450 HP
50 - 50 HP	
60 - 60 HP	
75 - 75 HP	

### Firetrol, Inc.

3412 Apex Peakway  
Apex, North Carolina 27502  
P +1 919 460 5200  
F +1 919 460 5250  
www.firetrol.com

While every precaution has been taken to ensure accuracy and completeness herein, Firetrol, Inc. assumes no responsibility, and disclaims all liability, for damages resulting from use of this information or for any errors or omissions. Specifications and drawings are subject to change without notice. ©2022 Firetrol, Inc., All Rights Reserved.



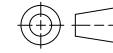
© Firetrol, Inc. Not for construction.  
Subject to change without notice.

BY		DD/MM/YY
DRAWN BY	FL	08/12/21
FINAL APPROVAL	KZ	09/12/21

## UL LISTED DISCONNECTING MEANS FOR ELECTRIC FIRE PUMP APPLICATIONS

**MODEL: FTA990**

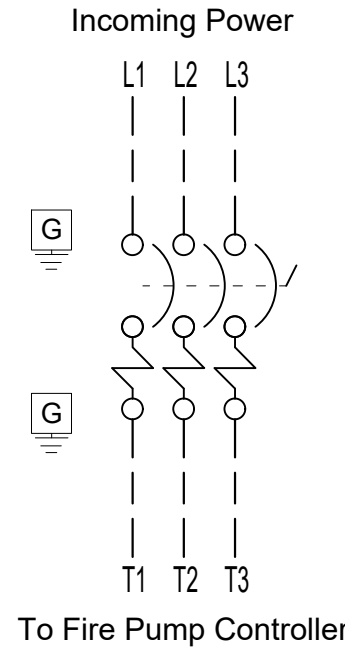
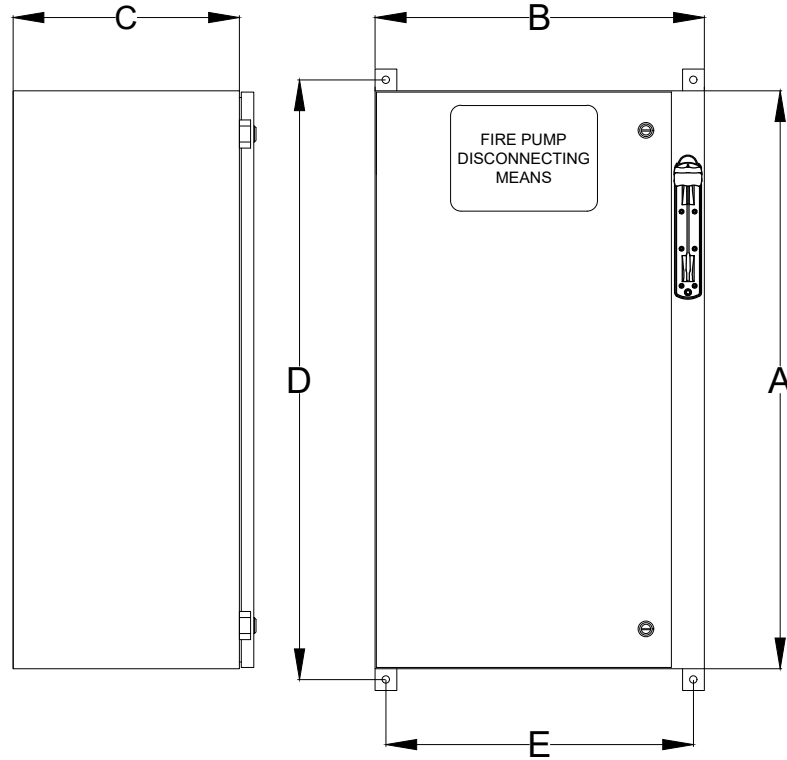
BUILT TO THE LATEST EDITION OF THE NFPA20 & NFPA70



THIRD ANGLE  
PROJECTION

DRAWING NUMBER  
**WS990-02**  
DWG REV. 0  
SHEET 1 OF 1

### Dimensions, Field Connections & Wiring Information



#### Notes:

- NEMA 2 Assembly
- Paint : Textured Red RAL 3002.
- All Dimensions are in Inches.
- Use Watertight Conduit and Connector Only.
- Protect Equipment Against Drilling Chips.

Terminals (L1,L2,L3,T1,T2,T3)

Maximum Motor Horsepower								Wire (Lug) Size (Copper Only)	Torque	Ground (Lug) Size (Copper Only)	Dimensions A x B x C x D x E	Bending Space
200V	208V	220V	230V	240V	380-416V	440-480V	575-600V					
5-20HP	5-20HP	5-20HP	5-20HP	5-20HP	5-30HP	5-40HP	5-60HP	10-3/0 AWG	5-14 Nm	6 AWG	22 x 12 x 11 x 23½ x 10½	7"
25-30HP	25-30HP	25-30HP	25-30HP	25-30HP	50-60HP	50-75HP	75HP	4-4/0 AWG	26 Nm	4 AWG	26 x 14 x 11 x 27½ x 12½	8"
40-75HP	40-75HP	40-100HP	40-100HP	40-100HP	75-150HP	100-200HP	100-250HP	2x(2/0 AWG-250 MCM)	50 Nm	4 AWG	30 x 16 x 11 x 31½ x 14½	8"
100-150HP	100-150HP	125-200HP	125-200HP	125-200HP	200-350HP	250-400HP	300-500HP	3x(3/0 AWG-500 MCM)	50 Nm	3/0 AWG	42 x 18 x 12½ x 43½ x 16½	12"
200HP	200HP	250-400HP	250-400HP	250-400HP	400-500HP	450-500HP	-	TBD Consult Factory	TBD Consult Factory	TBD Consult Factory	TBD Consult Factory	TBD Consult Factory

Drawing for information only.  
Manufacturer reserves the right to modify this drawing without notice.  
Contact manufacturer for "As Built" drawing.