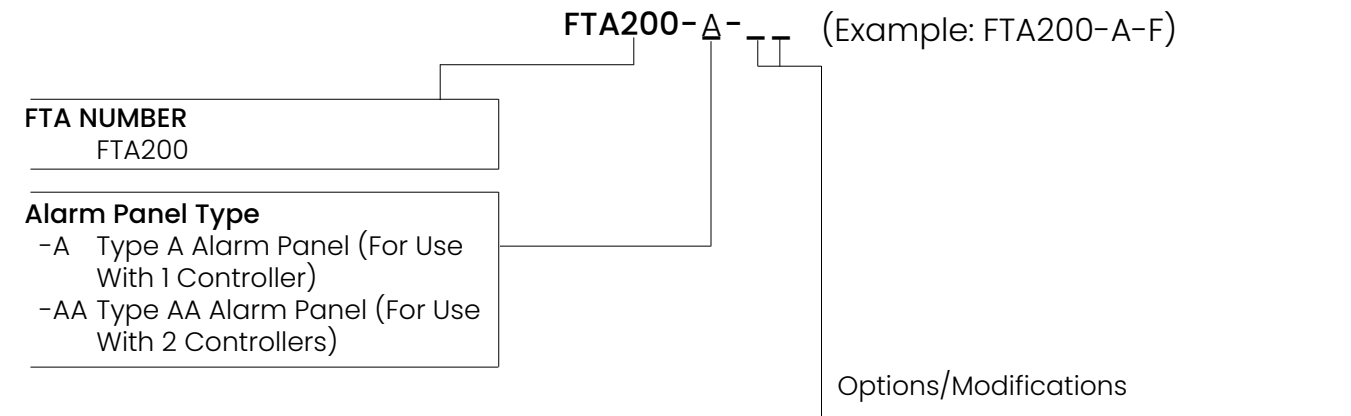




Remote Alarm Panels for use with Electric Fire Pump Controllers



SPECIAL ENCLOSURES

Option	Description
---	Enclosure, NEMA Type 1 (IP20), Painted Steel (Standard)
-Q	Enclosure, NEMA Type 2 (IP22), Painted Steel
-EX	Enclosure, NEMA Type 4 (IP65), Painted Steel
-F	Enclosure, NEMA Type 4X (IP66), #304 Stainless Steel, Brushed Finish
-FXP	Enclosure, NEMA Type 4X (IP66), #304 Stainless Steel, Painted Finish

Optional Alarms

Option	Description
-AM	Alarm, Audible/Visible, Fail To Start
-BYI	Alarm, Audible/Visible, Overcurrent
-EJI	Alarm, Audible/Visible, Flow Meter Open
-Y	Alarm, Specify Number Of Alarms, Function of Each & Nameplate Marking

Miscellaneous

Option	Description
-BA	AC Input, 220-240V
-BS	Fire Pump Start Push-button

Firetrol, Inc.

3412 Apex Peakway
Apex, North Carolina 27502
P +1 919 460 5200
F +1 919 460 5250
www.firetrol.com

While every precaution has been taken to ensure accuracy and completeness herein, Firetrol, Inc. assumes no responsibility, and disclaims all liability, for damages resulting from use of this information or for any errors or omissions. Specifications and drawings are subject to change without notice. ©2020 Firetrol, Inc., All Rights Reserved.