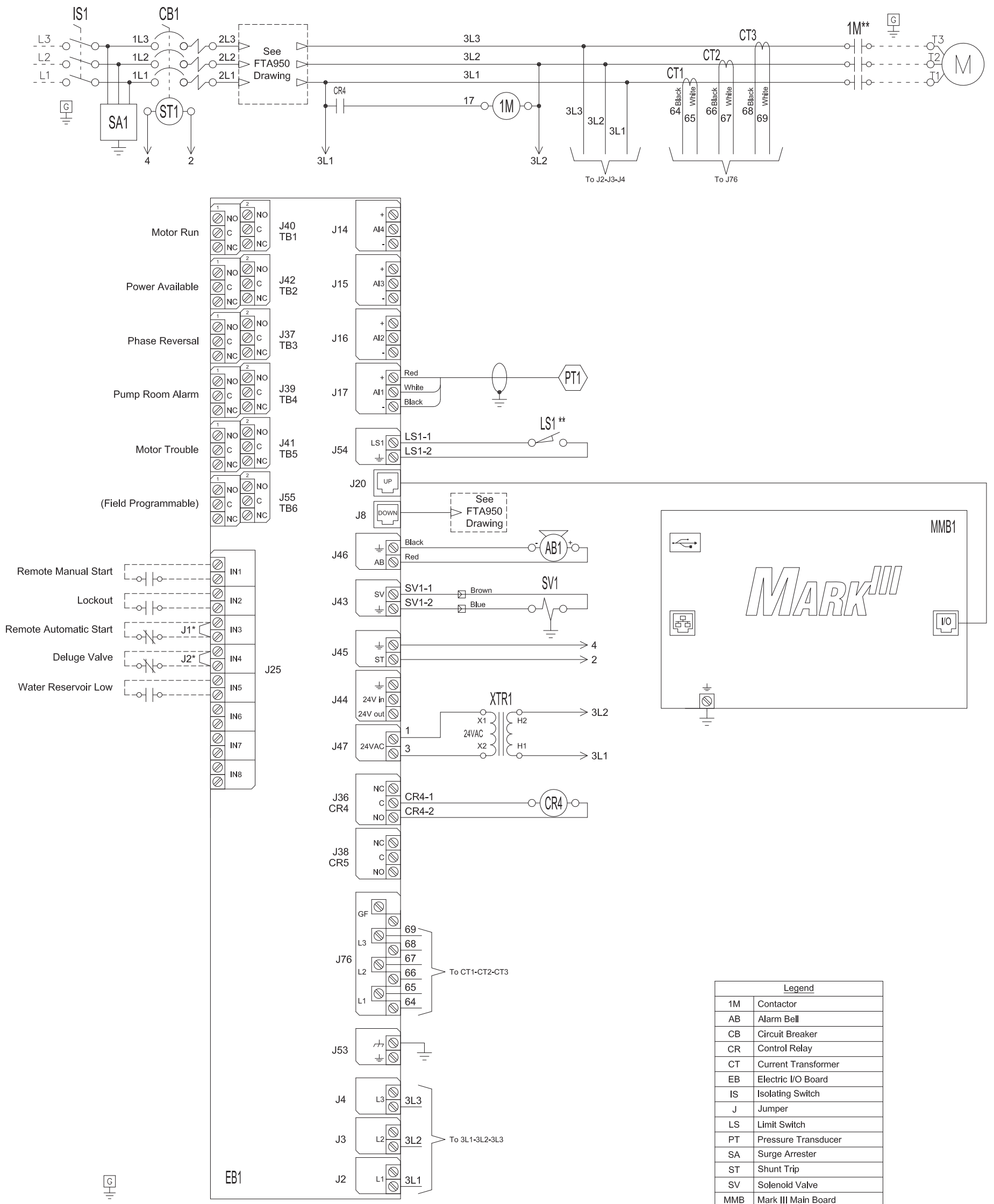


MARK^{III} Electric Fire Pump Controllers - Across The Line Starting With Power Transfer Switch



Legend	
1M	Contactors
AB	Alarm Bell
CB	Circuit Breaker
CR	Control Relay
CT	Current Transformer
EB	Electric I/O Board
IS	Isolating Switch
J	Jumper
LS	Limit Switch
PT	Pressure Transducer
SA	Surge Arrester
MMB	Mark III Main Board
XTR	Transformer

* Remove jumper to use this feature
 ** Contact closes when emergency start is in "ON" position

Drawing for information only. Manufacturer reserves the right to modify this drawing without notice. Contact manufacturer for "As Built" drawing.

	SIZE	B	BY	JMW	DATE	12-2-19	<p>© Firetrol, Inc. Not for construction. Subject to change without notice.</p>	REVISION DESCRIPTION		REV	ECN NO	BY	APP	DATE	
	DRAWN BY		JMW		12-2-19			WIRING SCHEMATIC		FTA1000 W/FTA950		DRAWING NUMBER			
	FINAL APPROVAL		CIR		12-2-19			FULL VOLTAGE FIRE PUMP CONTROLLER WITH POWER TRANSFER SWITCH		WS1000-80		CDL			
										DWG REV	ECN NO	SHEET 1 OF 1			

All rights reserved. The drawing and the information contained or depicted herein are the sole property of Firetrol, Inc. Copies are communicated to the recipient in strict confidence and may not be retransmitted, published, reproduced, copied or used in any manner, including as the basis for the manufacture or sale of any products, without the express prior written consent of Firetrol, Inc.