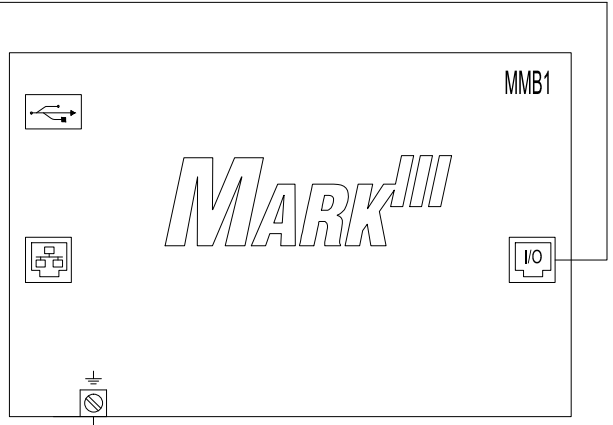
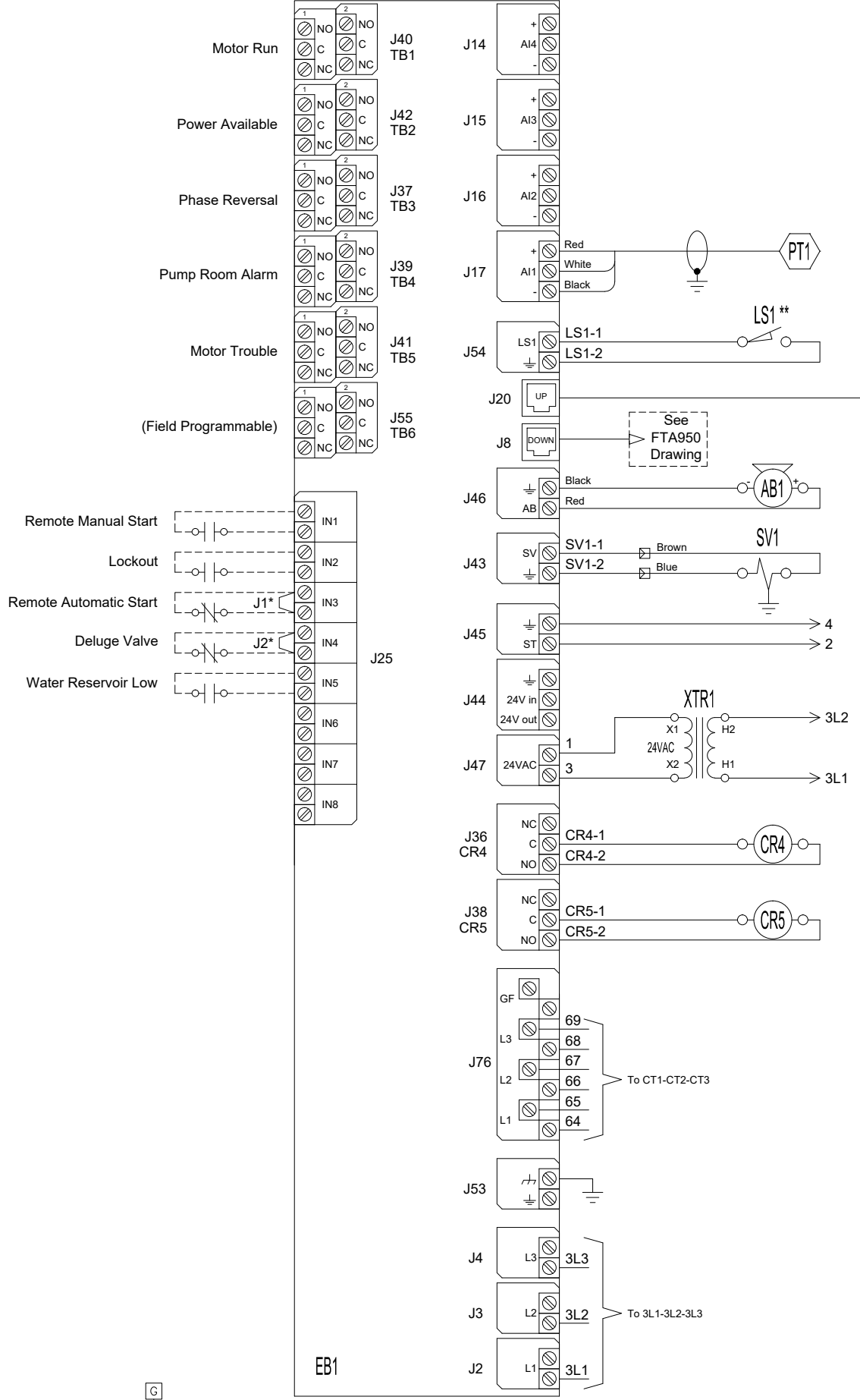
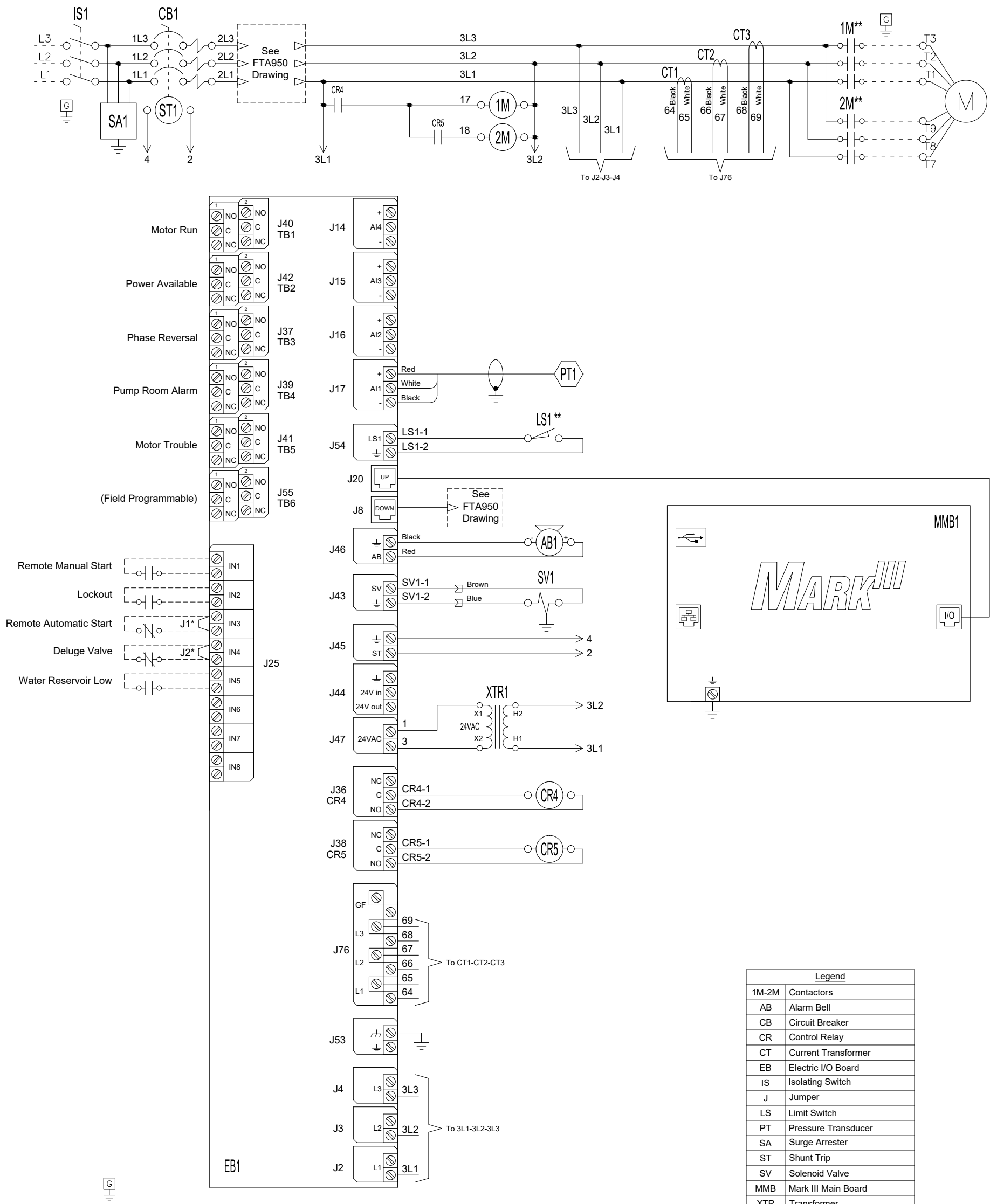


MARK^{III} Electric Fire Pump Controllers - Part Winding Starting With Power Transfer Switch



| Legend | |
|--------|---------------------|
| 1M-2M | Contactors |
| AB | Alarm Bell |
| CB | Circuit Breaker |
| CR | Control Relay |
| CT | Current Transformer |
| EB | Electric I/O Board |
| IS | Isolating Switch |
| J | Jumper |
| LS | Limit Switch |
| PT | Pressure Transducer |
| SA | Surge Arrester |
| ST | Shunt Trip |
| SV | Solenoid Valve |
| MMB | Mark III Main Board |
| XTR | Transformer |

* Remove jumper to use this feature
 ** Contact closes when emergency start is in "ON" position

Drawing for information only. Manufacturer reserves the right to modify this drawing without notice. Contact manufacturer for "As Built" drawing.

| | | | | | | | | | | | |
|--|----------------|-----|---------|---|--|------------------|----------------|----|--------------|------|--|
| | SIZE B | BY | DATE | <p>© Firetrol, Inc. Not for construction. Subject to change without notice.</p> | REVISION DESCRIPTION | REV | ECN NO | BY | APP | DATE | |
| | DRAWN BY | JMW | 12-2-19 | | WIRING SCHEMATIC | FTA1250 W/FTA950 | DRAWING NUMBER | | | | |
| | FINAL APPROVAL | CIR | 12-2-19 | | REDUCED VOLTAGE/PART WINDING FIRE PUMP CONTROLLER WITH POWER TRANSFER SWITCH | WS1250-80 | CDL | | | | |
| | | | | | DWG REV | - | ECN NO | - | SHEET 1 OF 1 | | |

All rights reserved. The drawing and the information contained or depicted herein are the sole property of Firetrol, Inc. Copies are communicated to the recipient in strict confidence and may not be retransmitted, published, reproduced, copied or used in any manner, including as the basis for the manufacture or sale of any products, without the express prior written consent of Firetrol, Inc.