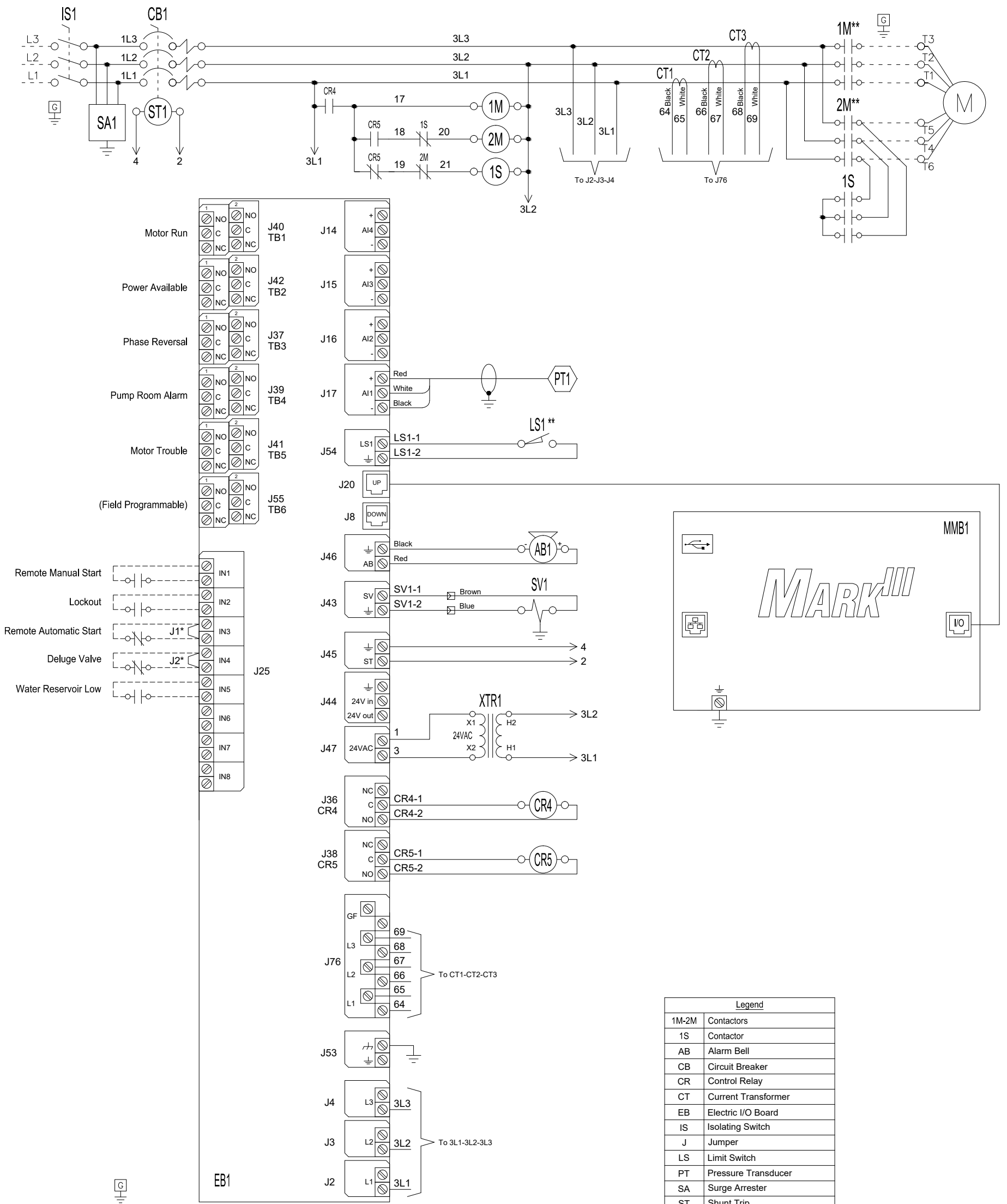


MARK^{III} Electric Fire Pump Controllers - Wye-Delta Open Transition Starting



* Remove jumper to use this feature
 ** Contact closes when emergency start is in "ON" position

Legend	
1M-2M	Contactors
1S	Contactors
AB	Alarm Bell
CB	Circuit Breaker
CR	Control Relay
CT	Current Transformer
EB	Electric I/O Board
IS	Isolating Switch
J	Jumper
LS	Limit Switch
PT	Pressure Transducer
SA	Surge Arrester
ST	Shunt Trip
SV	Solenoid Valve
MMB	Mark III Main Board
XTR	Transformer

Drawing for information only.
 Manufacturer reserves the right to modify this drawing without notice.
 Contact manufacturer for "As Built" drawing.

SIZE	BY	DATE	REVISION DESCRIPTION	REV	ECN NO	BY	APP	DATE
B	JMW	12/2/19	WIRING SCHEMATIC					
	CIR	12/2/19	OPEN TRANSITION WYE-DELTA FIRE PUMP CONTROLLER					
			DRAWING NUMBER: FTA1300 WS1300-70		SHEET 1 OF 1			
© Firetrol, Inc. Not for construction. Subject to change without notice.			DWG REV - ECN NO -		CDL			

All rights reserved. The drawing and the information contained or depicted herein are the sole property of Firetrol, Inc. Copies are communicated to the recipient in strict confidence and may not be retransmitted, published, reproduced, copied or used in any manner, including as the basis for the manufacture or sale of any products, without the express prior written consent of Firetrol, Inc.