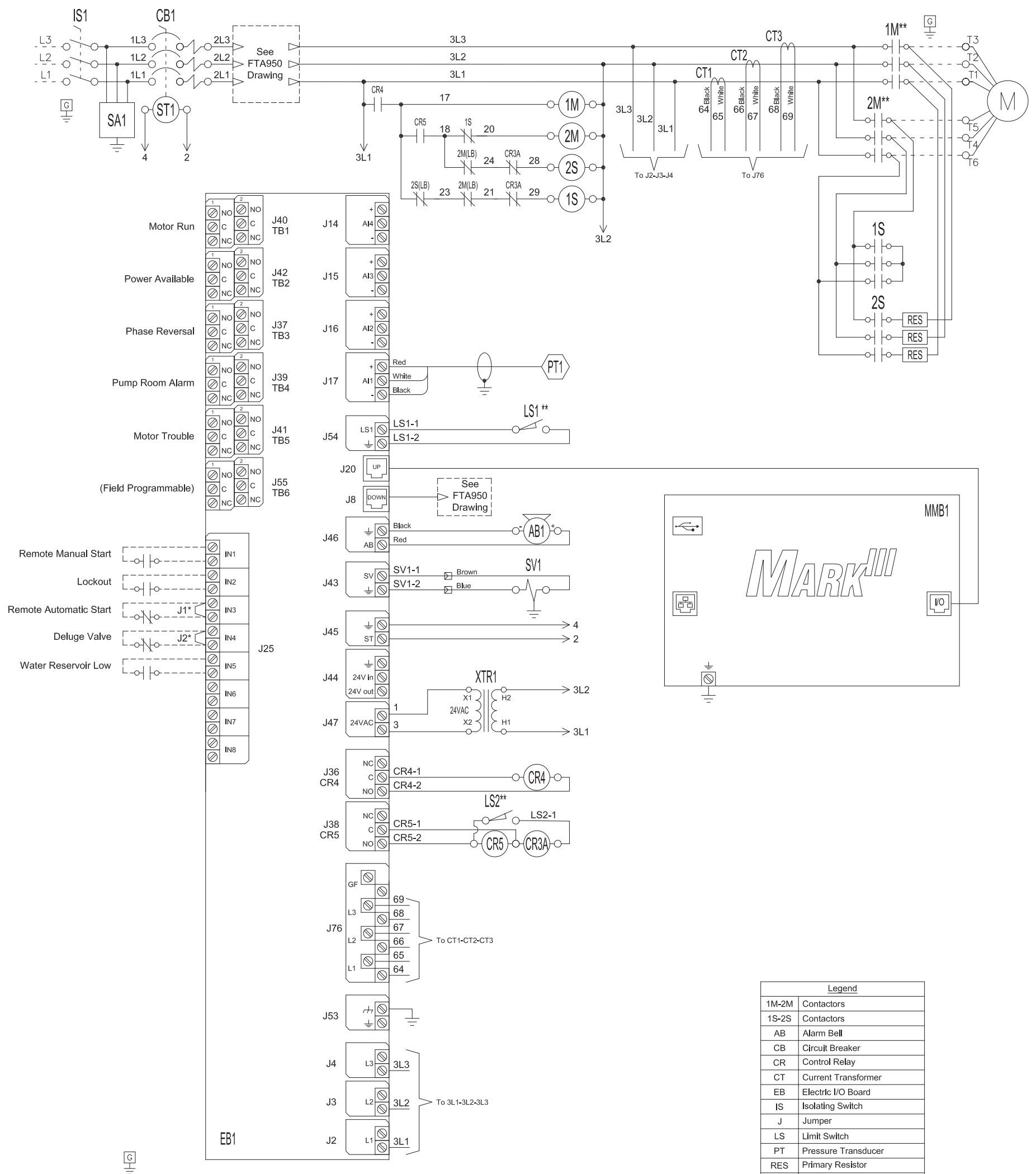


MARK^{III} Electric Fire Pump Controllers - Wye-Delta Closed Transition Starting With Power Transfer Switch



Legend	
1M-2M	Contactors
1S-2S	Contactors
AB	Alarm Bell
CB	Circuit Breaker
CR	Control Relay
CT	Current Transformer
EB	Electric I/O Board
IS	Isolating Switch
J	Jumper
LS	Limit Switch
PT	Pressure Transducer
RES	Primary Resistor
SA	Surge Arrester
ST	Shunt Trip
SV	Solenoid Valve
MMB	Mark III Main Board
XTR	Transformer

* Remove jumper to use this feature
 ** Contact closes when emergency start is in "ON" position

Drawing for information only.
 Manufacturer reserves the right to modify this drawing without notice.
 Contact manufacturer for "As Built" drawing.

THIRD ANGLE PROJECTION	SIZE	BY	DATE	REVISION DESCRIPTION				REV	ECN NO	BY	APP	DATE	
	B	JMW	12-2-19	WIRING SCHEMATIC				-					
FINAL APPROVAL	CIR	12-2-19					FTA1350 W/FTA950		DRAWING NUMBER				
© Firetrol, Inc. Not for construction. Subject to change without notice.				CLOSED TRANSITION WYE DELTA FIRE PUMP CONTROLLER WITH POWER TRANSFER SWITCH				WS1350-80		CDL			
								DWG REV -		ECN NO -		SHEET 1 OF 1	

All rights reserved. The drawing and the information contained or depicted herein are the sole property of Firetrol, Inc. Copies are communicated to the recipient in strict confidence and may not be retransmitted, published, reproduced, copied or used in any manner, including as the basis for the manufacture or sale of any products, without the express prior written consent of Firetrol, Inc.