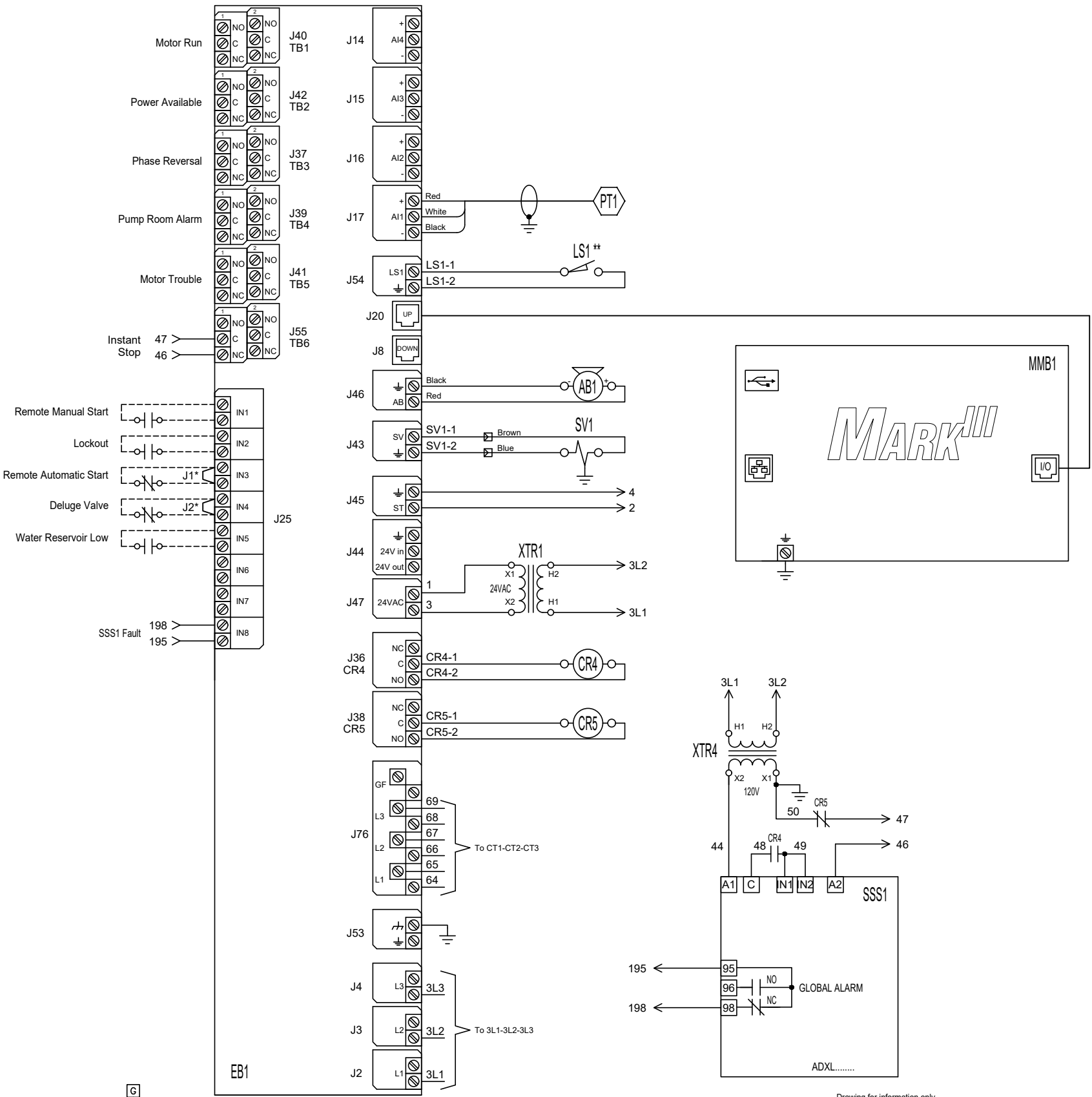
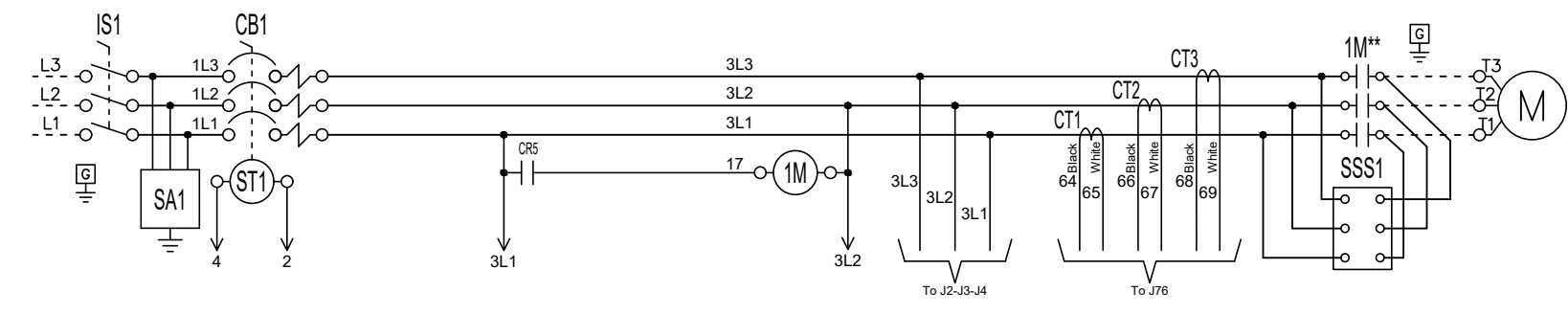


MARK^{III} Electric Fire Pump Controllers – Solid State Reduced Current Starting



* Remove jumper to use this feature
 ** Contact closes when emergency start is in "ON" position

Legend	
1M	Contactors
AB	Alarm Bell
CB	Circuit Breaker
CR	Control Relay
CT	Current Transformer
EB	Electric I/O Board
IS	Isolating Switch
J	Jumper
LS	Limit Switch
PT	Pressure Transducer
SA	Surge Arrester
SSS	Soft Starter
ST	Shunt Trip
SV	Solenoid Valve
MMB	Mark III Main Board
XTR	Transformer

Drawing for information only. Manufacturer reserves the right to modify this drawing without notice. Contact manufacturer for "As Built" drawing.

VOLTAGE/POWER TABLE	
LINE VOLTAGE	MOTOR HORSEPOWER
208	5-100
220-240	5-125
380-400-415	5-200
440-480	5-250
600	5-300

Drawing for information only. Manufacturer reserves the right to modify this drawing without notice. Contact manufacturer for "As Built" drawing.

	SIZE	B	BY	JMW	DATE	12/2/19	<p>© Firetrol, Inc. Not for construction. Subject to change without notice.</p>	REVISED TO AGREE W/CURRENT MFG		A	-	CIR	CIR	2-10-21	
	DRAWN BY	JMW		12/2/19		REVISION DESCRIPTION		REV	ECN NO	BY	APP	DATE			
	FINAL APPROVAL	CIR		12/2/19		WIRING SCHEMATIC		FTA1930		DRAWING NUMBER		WS1930-70		CDL	
	DIGITAL SOLID STATE REDUCED CURRENT FIRE PUMP CONTROLLER		DWG REV		A			ECN NO		-		SHEET 1 OF 1			

All rights reserved. The drawing and the information contained or depicted herein are the sole property of Firetrol, Inc. Copies are communicated to the recipient in strict confidence and may not be retransmitted, published, reproduced, copied or used in any manner, including as the basis for the manufacture or sale of any products, without the express prior written consent of Firetrol, Inc.