



© Firetrol, Inc. Not for construction.  
Subject to change without notice.

BY		DD/MM/YY
DRAWN BY	ACD	08/03/23
FINAL APPROVAL	FC	08/03/23

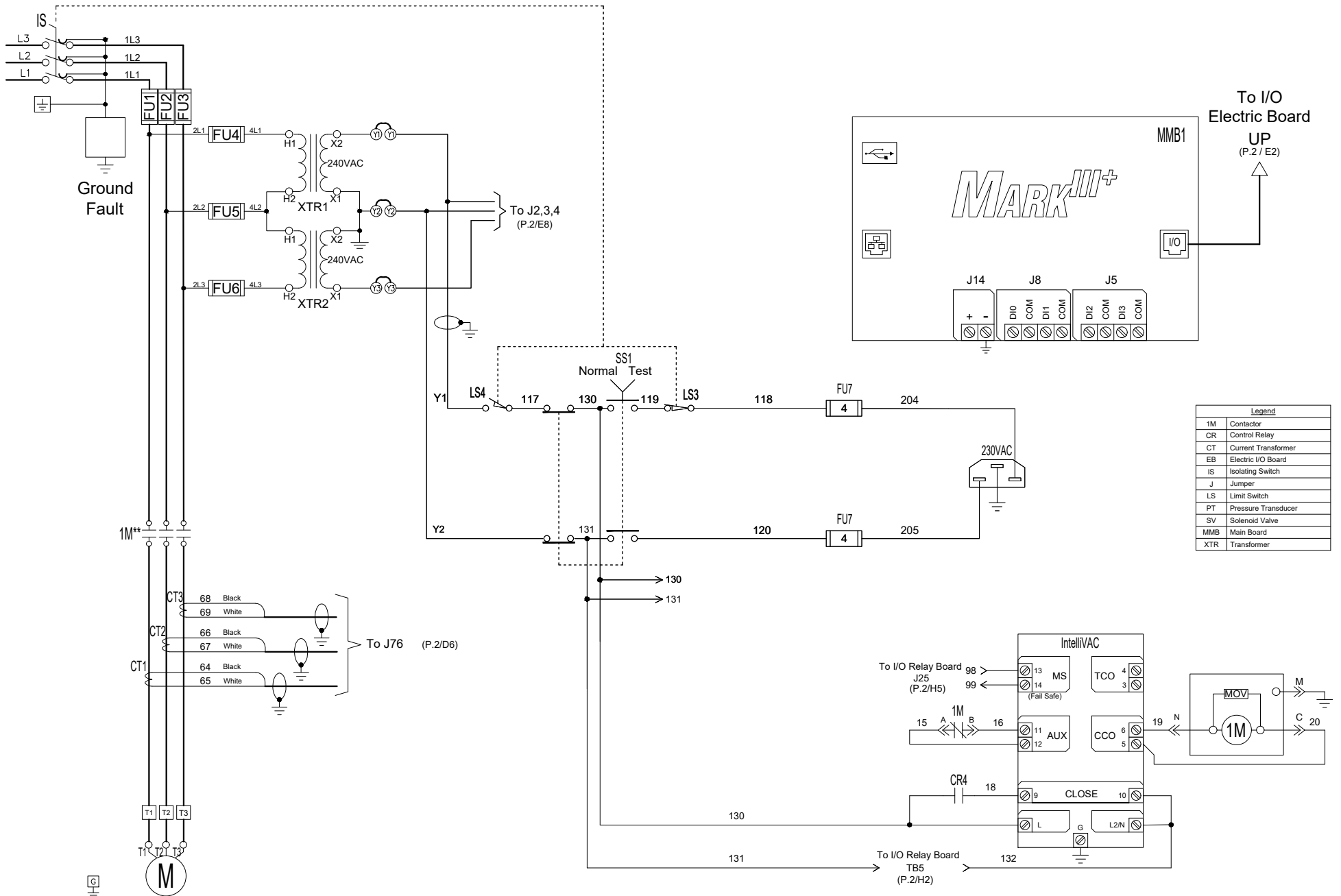
# ELECTRIC FIRE PUMP CONTROLLER MEDIUM VOLTAGE / ACROSS THE LINE

**MODEL:FTA2000**

BUILT TO THE LATEST EDITION OF THE NFPA20 & NFPA70



DRAWING NUMBER	WS2000-800/E
DWG REV. 0	
SHEET 1 OF 2	



Legend	
1M	Contactor
CR	Control Relay
CT	Current Transformer
EB	Electric I/O Board
IS	Isolating Switch
J	Jumper
LS	Limit Switch
PT	Pressure Transducer
SV	Solenoid Valve
MMB	Main Board
XTR	Transformer

\*\* Contact closes when emergency start is in "ON" position.



© Firetrol, Inc. Not for construction.  
Subject to change without notice.

BY		DD/MM/YY	
DRAWN BY	ACD	08/03/23	
FINAL APPROVAL	FC	08/03/23	

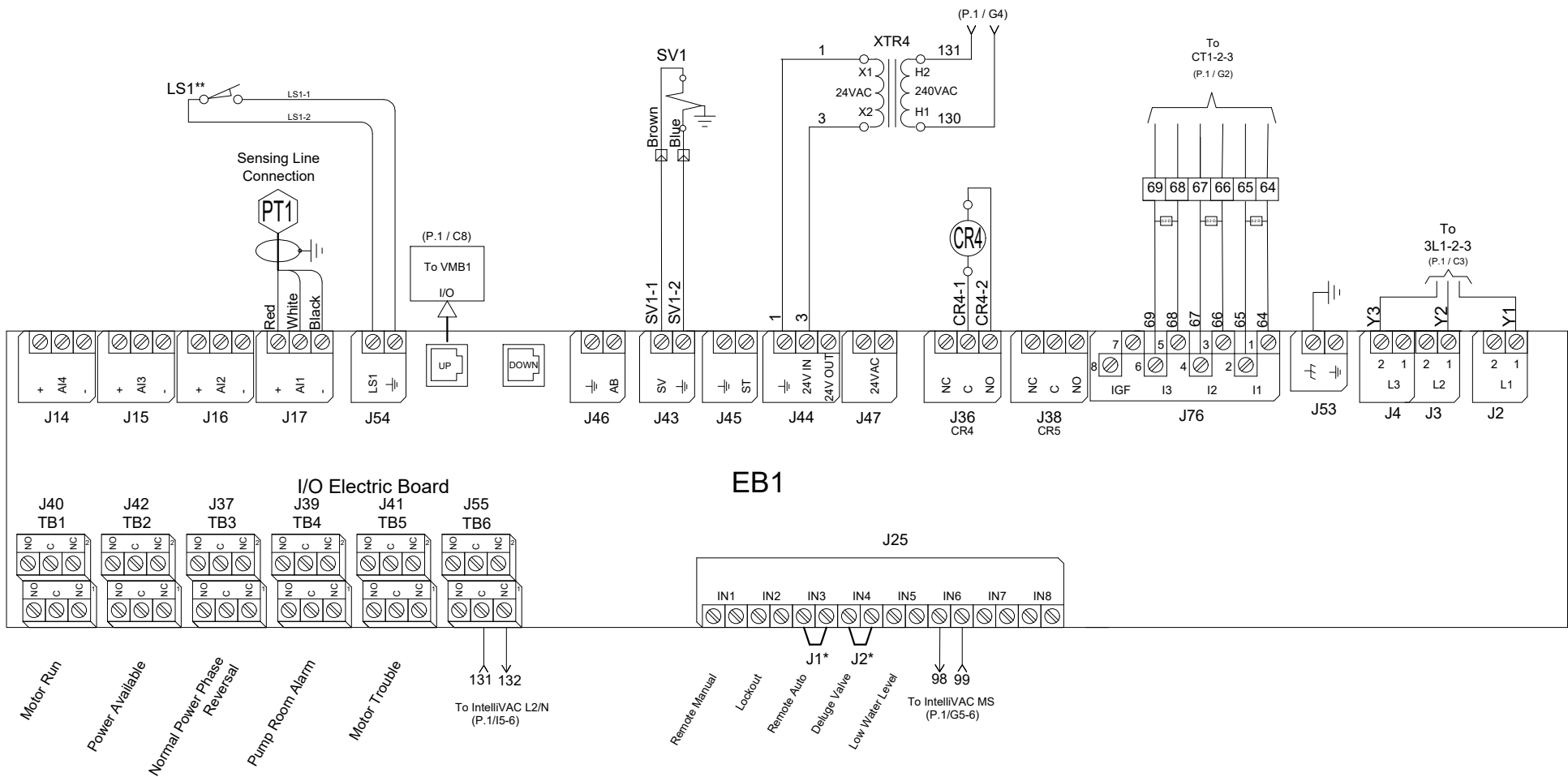
# ELECTRIC FIRE PUMP CONTROLLER MEDIUM VOLTAGE / ACROSS THE LINE

**MODEL:FTA2000**

BUILT TO THE LATEST EDITION OF THE NFPA20 & NFPA70



DRAWING NUMBER	WS2000-800/E
DWG REV. 0	
SHEET 2 OF 2	



\* Remove jumper to use this feature  
\*\* Contact closes when emergency start is in "ON" position