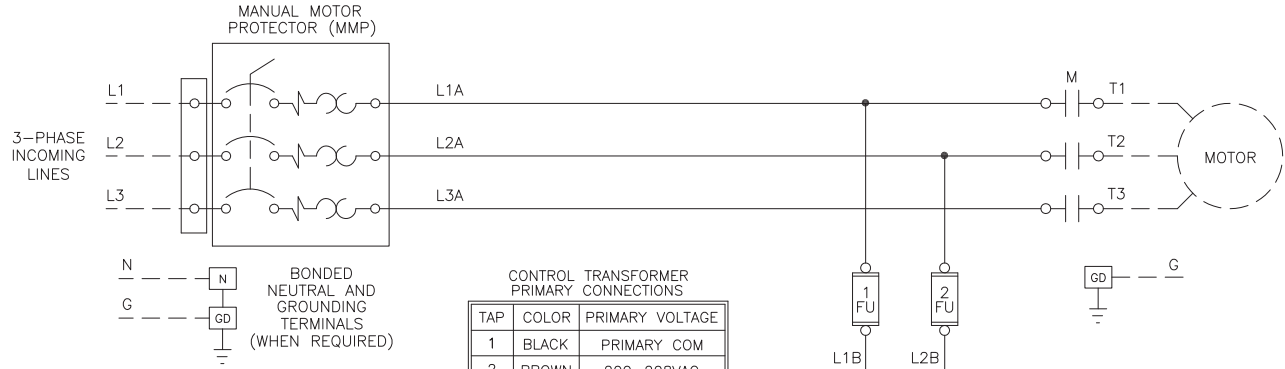
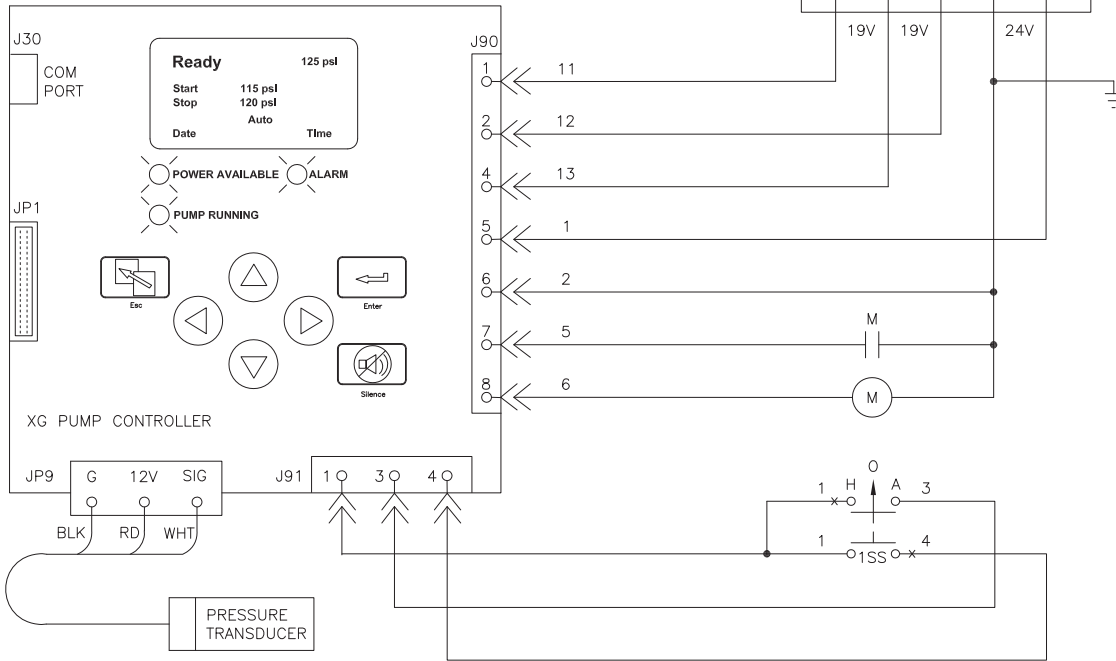


Limited Option Jockey_{XG} Pump Controllers with MMP



CAUTION
 BONDING BETWEEN CONDUIT CONNECTIONS IS NOT AUTOMATIC AND MUST BE PROVIDED AS PART OF THE INSTALLATION.

TAP	COLOR	PRIMARY VOLTAGE
1	BLACK	PRIMARY_COM
2	BROWN	200-208VAC
3	YELLOW	220-240VAC
4	BLUE	380-415VAC
5	PURPLE	440-480VAC
6	GRAY	550-600VAC



NEUTRAL AND GROUND TERMINALS WIRE CAPACITY (CU)

#14 AWG-#6 AWG	2.5 MM ² -16 MM ²
----------------	---

PRESSURE SYSTEM CONNECTION
 1/2" FNPT

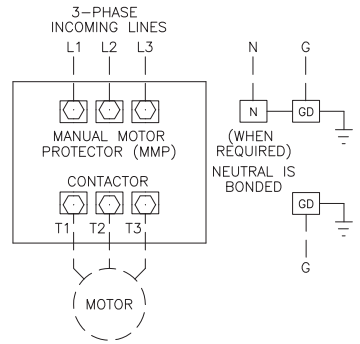
LINE TERMINALS-WIRE CAPACITY (CU)

MAXIMUM MOTOR HORSEPOWER	WIRE SIZE COPPER ONLY				
	200-208V	220-240V	380-415V	440-480V	550-600V
7 1/2	10	15	20	20	#10 AWG-#4 AWG 6 MM ² -25 MM ²

MOTOR TERMINALS-WIRE CAPACITY (CU)

MAXIMUM MOTOR HORSEPOWER	WIRE SIZE COPPER ONLY				
	200-208V	220-240V	380-415V	440-480V	550-600V
7 1/2	10	15	20	20	#14 AWG-#8 AWG 2.5 MM ² -10 MM ²

1 FOR CORRECT WIRE SIZING, REFER TO NATIONAL ELECTRICAL CODE, NFPA 70.



	SIZE	A	BY	TEF	DATE	02-27-12	<p>© Firetrol, Inc. Not for construction. Subject to change without notice.</p>	WIRING SCHEMATIC	A	280587	JMW	TEF	08-28-19			
	DRAWN BY	TEF	FINAL APPROVAL	TEF	02-29-12	REVISION DESCRIPTION		REV	ECN NO	BY	APP	DATE	DRAWING NUMBER	WS550-01		
	WIRING SCHEMATIC							FTA550F		DWG REV A				ECN NO 280587	SHEET 1 OF 1	
	JOCKEY XG PUMP CONTROLLER WITH MANUAL MOTOR PROTECTOR															

All rights reserved. The drawing and the information contained or depicted herein are the sole property of Firetrol, Inc. Copies are communicated to the recipient in strict confidence and may not be retransmitted, published, reproduced, copied or used in any manner, including as the basis for the manufacture or sale of any products, without the express prior written consent of Firetrol, Inc.