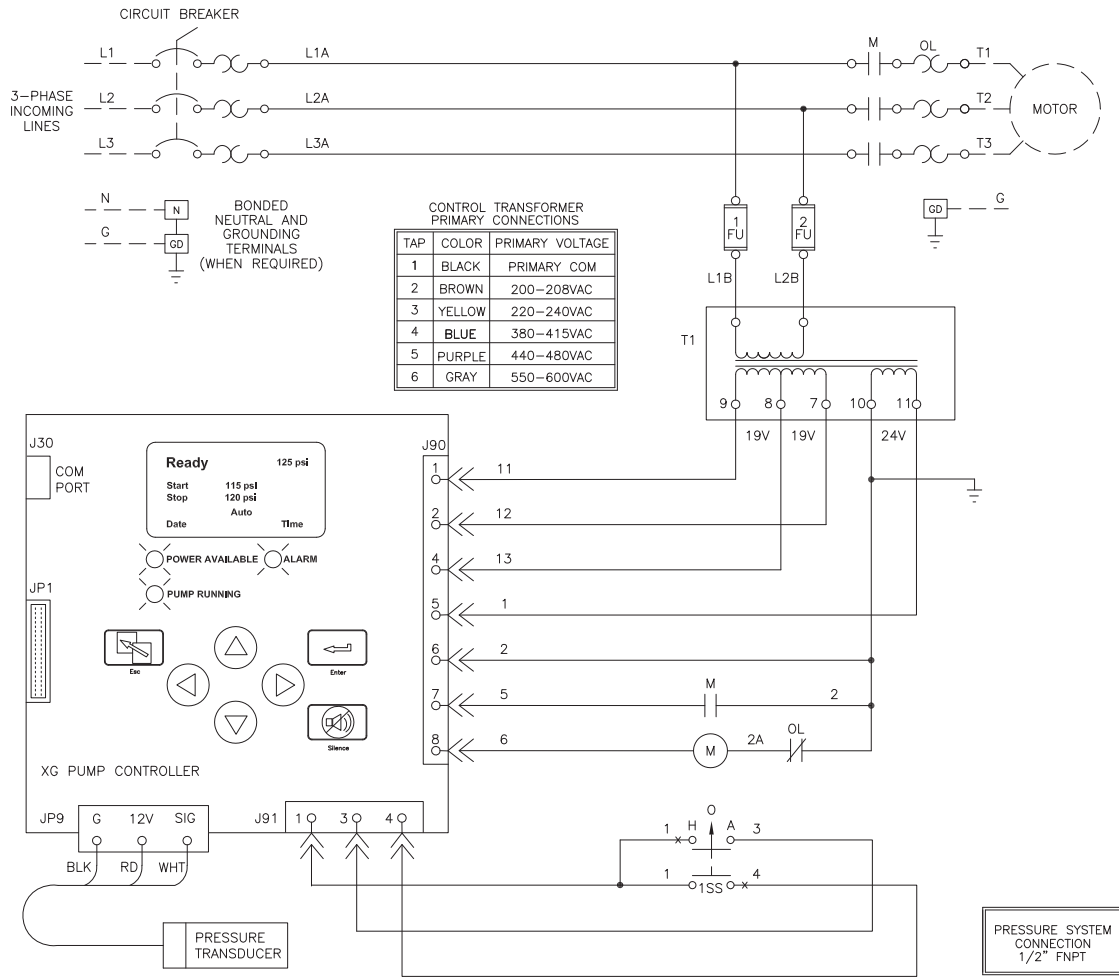




Jockeyxg Pump Controllers



FOR ADDITIONAL OPTIONS AND MODIFICATIONS, REFER TO DRAWING WS550-06

LINE TERMINALS—WIRE CAPACITY AND QUANTITY (CU) ①
—FUSIBLE DISCONNECT OPTION

MAXIMUM MOTOR HORSEPOWER					WIRE SIZE (CU) PER PHASE	WIRE SIZE (CU) NEUTRAL AND GROUND TERMINALS
200-208V	220-240V	380-415V	440-480V	550-600V		
5	7 1/2	10	15	20	(1) #14 AWG-#6 AWG (1) 2 MM ² -13 MM ²	(1) #14 AWG-#6 AWG (1) 2.5 MM ² -16 MM ²
15	15	25	30	50	(1) #10 AWG-#6 AWG (1) 6 MM ² -16 MM ²	(1) #14 AWG-#6 AWG (1) 2.5 MM ² -16 MM ²
25	30	40	50	--	(1) #12 AWG-#1 AWG (1) 16 MM ² -42 MM ²	(2) #14 AWG-#1/0 AWG (2) 2.5 MM ² -50 MM ²

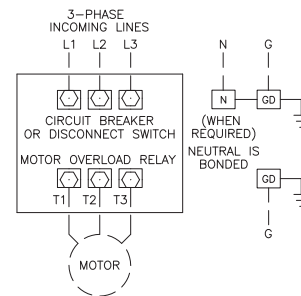
MOTOR TERMINALS—WIRE CAPACITY AND QUANTITY (CU) ①

MAXIMUM MOTOR HORSEPOWER					WIRE SIZE (CU) PER PHASE
200-208V	220-240V	380-415V	440-480V	550-600V	
3	5	7.5	10	10	(1) #14 AWG-#10 AWG (1) 2.5 MM ² -6 MM ²
7.5	10	15	20	25	(1) #14 AWG-#8 AWG (1) 2.5 MM ² -10 MM ²
20	20	30	40	50	(1) #14 AWG-#2 AWG (1) 2.5 MM ² -35 MM ²
25	30	40	50	-	(1) #10 AWG-#1 AWG (1) 4 MM ² -42 MM ²

LINE TERMINALS—WIRE CAPACITY AND QUANTITY (CU) ①
—CIRCUIT BREAKER OPTION

MAXIMUM MOTOR HORSEPOWER					WIRE SIZE (CU) PER PHASE
200-208V	220-240V	380-415V	440-480V	550-600V	
25	30	40	50	50	(1) #14 AWG-#1 AWG (1) 2.5 MM ² -42 MM ²

① FOR CORRECT WIRE SIZING, REFER TO NATIONAL ELECTRICAL CODE, NFPA 70.



UPDATED TITLE BLOCK				B	280587	JMW	TEF	08-28-19
UPDATE FOR SCHNEIDER COMPONENTS				A	277127	TDC	TDC	02-08-19
REVISION DESCRIPTION				REV	ECN NO	BY	APP	DATE
WIRING SCHEMATIC				FTA550E				
JOCKEY XG PUMP CONTROLLER				DRAWING NUMBER WS550-05				
DWG REV B				ECN NO 280587		SHEET 1 OF 1		

SIZE	A	BY	DATE
DRAWN BY	TEF	05-14-12	
FINAL APPROVAL	TEF	05-14-12	



© Firetrol, Inc. Not for construction. Subject to change without notice.