

Wiring Schematic

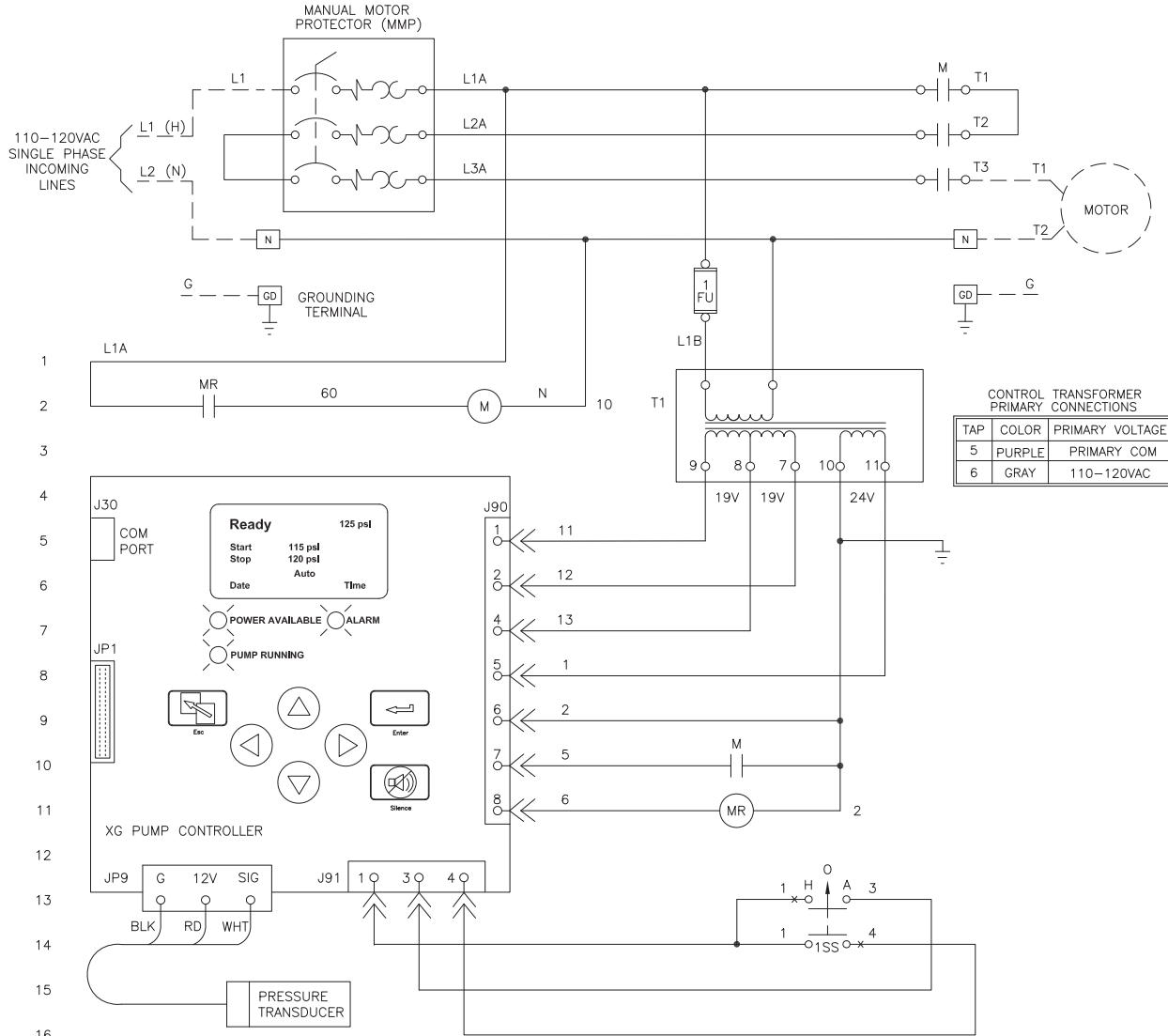
Single Phase

(110-120 VAC)



FTA550F

Limited Option Jockey_{XG} Pump Controllers with MMP



1
2
3
4
5
6
7
8
9
10
11
12
13
14
15
16

GROUND TERMINALS WIRE CAPACITY (CU)

#14 AWG-#6 AWG
2.5 MM ² -16 MM ²

PRESSURE SYSTEM CONNECTION 1/2" FNPT

CAUTION
BONDING BETWEEN CONDUIT CONNECTIONS IS NOT AUTOMATIC AND MUST BE PROVIDED AS PART OF THE INSTALLATION.

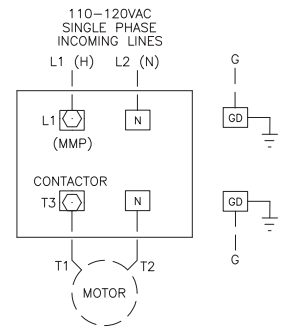
LINE TERMINALS-WIRE CAPACITY (CU) ⁽¹⁾

MAXIMUM MOTOR HORSEPOWER	110-120V	
	WIRE SIZE COPPER ONLY	NEUTRAL WIRE SIZE COPPER ONLY
1	#14 AWG-#12 AWG 2.5 MM ² -4 MM ²	#14 AWG-#8 AWG 2.5 MM ² -10 MM ²
2	#12 AWG-#8 AWG 4 MM ² -10 MM ²	#14 AWG-#8 AWG 2.5 MM ² -10 MM ²

MOTOR TERMINALS-WIRE CAPACITY (CU) ⁽¹⁾

MAXIMUM MOTOR HORSEPOWER	110-120V	
	WIRE SIZE COPPER ONLY	NEUTRAL WIRE SIZE COPPER ONLY
2	#14 AWG-#8 AWG 2.5 MM ² -10 MM ²	#14 AWG-#8 AWG 2.5 MM ² -10 MM ²

⁽¹⁾ FOR CORRECT WIRE SIZING, REFER TO NATIONAL ELECTRICAL CODE, NFPA 70.



THIRD ANGLE PROJECTION	SIZE	A	BY	TEF	DATE	09-12-12
	DRAWN BY	TEF	DATE	09-12-12		
	FINAL APPROVAL	TEF	DATE	09-12-12		

Firetrol, Inc.
© Firetrol, Inc. Not for construction. Subject to change without notice.

UPDATED TITLE BLOCK		A	280587	JMW	TEF	08-28-19
REVISION DESCRIPTION		REV	ECN NO	BY	APP	DATE
WIRING SCHEMATIC		FTA550F		DRAWING NUMBER		
SINGLE PHASE JOCKEY PUMP CONTROLLER WITH MANUAL MOTOR PROTECTOR		WS550-109		DWG REV A		
		ECN NO	280587	SHEET 1 OF 1		

All rights reserved. The drawing and the information contained or depicted herein are the sole property of Firetrol, Inc. Copies are communicated to the recipient in strict confidence and may not be retransmitted, published, reproduced, copied or used in any manner, including as the basis for the manufacture or sale of any products, without the express prior written consent of Firetrol, Inc.