

Wiring Schematic

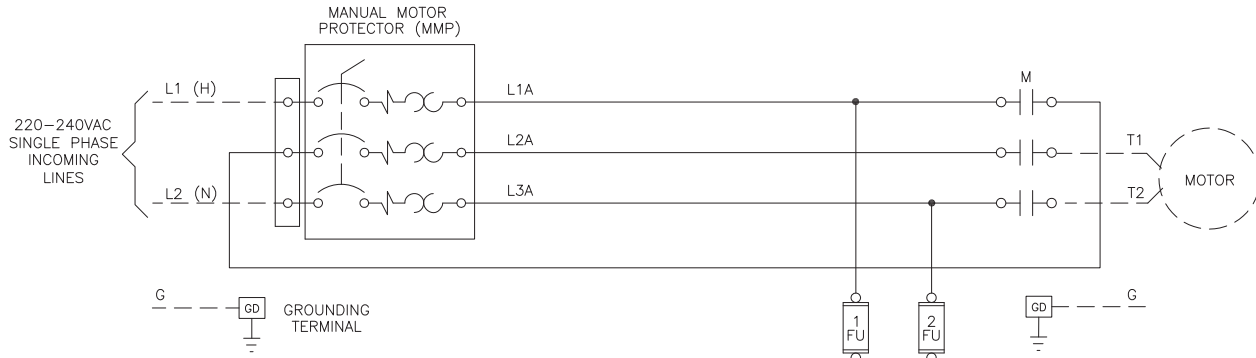
Single Phase

(220-240VAC)



FTA550F

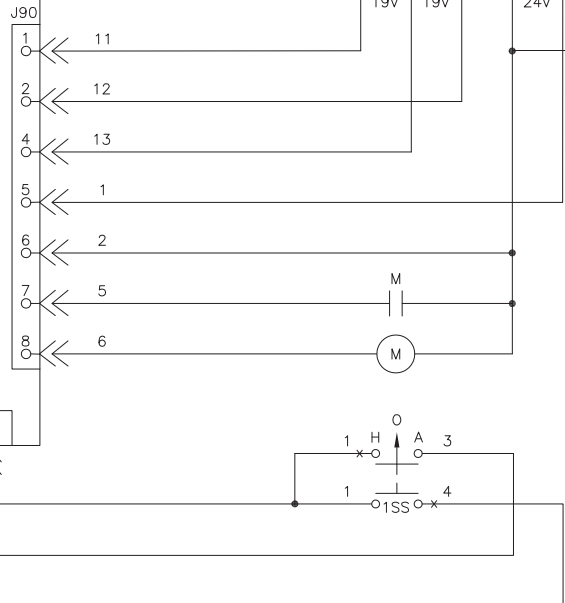
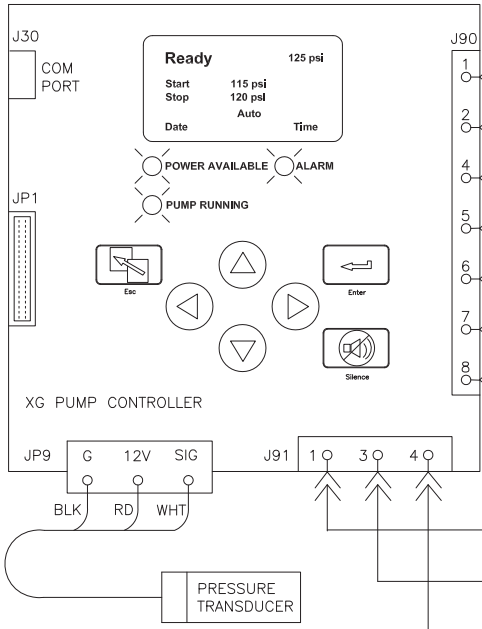
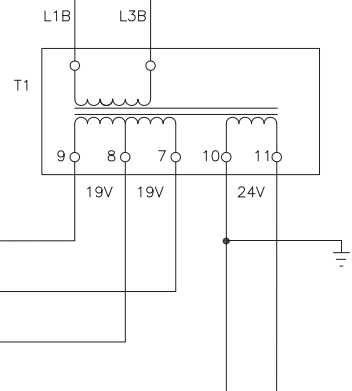
Limited Option Jockey_{XG} Pump Controllers with MMP



CAUTION
 BONDING BETWEEN CONDUIT CONNECTIONS IS NOT AUTOMATIC AND MUST BE PROVIDED AS PART OF THE INSTALLATION.

CONTROL TRANSFORMER PRIMARY CONNECTIONS

TAP	COLOR	PRIMARY VOLTAGE
1	BLACK	PRIMARY COM
3	YELLOW	220-240VAC



GROUND TERMINALS WIRE CAPACITY (CU)

#14 AWG-#6 AWG	2.5 MM ² -16 MM ²
----------------	---

PRESSURE SYSTEM CONNECTION
 1/2" FNPT

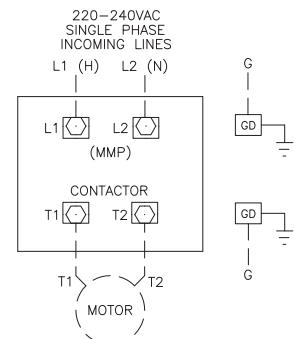
LINE TERMINALS-WIRE CAPACITY (CU) ¹

MAXIMUM MOTOR HORSEPOWER	WIRE SIZE COPPER ONLY
220-240V	#10 AWG-#4 AWG 6 MM ² -25 MM ²
5	

MOTOR TERMINALS-WIRE CAPACITY (CU) ¹

MAXIMUM MOTOR HORSEPOWER	WIRE SIZE COPPER ONLY
220-240V	#14 AWG-#8 AWG 2.5 MM ² -10 MM ²
5	

¹ FOR CORRECT WIRE SIZING, REFER TO NATIONAL ELECTRICAL CODE, NFPA 70.



SIZE	A	BY	DATE
DRAWN BY	TEF	08-22-12	
FINAL APPROVAL	TEF	08-22-12	

Firetrol, Inc.
 © Firetrol, Inc. Not for construction. Subject to change without notice.

UPDATED TITLE BLOCK	C	280587	JMW	TEF	08-28-19
SEE ECN	B	239104	TEF	TEF	09-25-12
REVISION DESCRIPTION	REV	ECN NO	BY	APP	DATE
WIRING SCHEMATIC		FTA550F			
SINGLE PHASE JOCKEY XG PUMP CONTROLLER WITH MANUAL MOTOR PROTECTOR (220-240VAC)					
DWG REV	C	ECN NO 280587			SHEET 1 OF 1

All rights reserved. The drawing and the information contained or depicted herein are the sole property of Firetrol, Inc. Copies are communicated to the recipient in strict confidence and may not be retransmitted, published, reproduced, copied or used in any manner, including as the basis for the manufacture or sale of any products, without the express prior written consent of Firetrol, Inc.