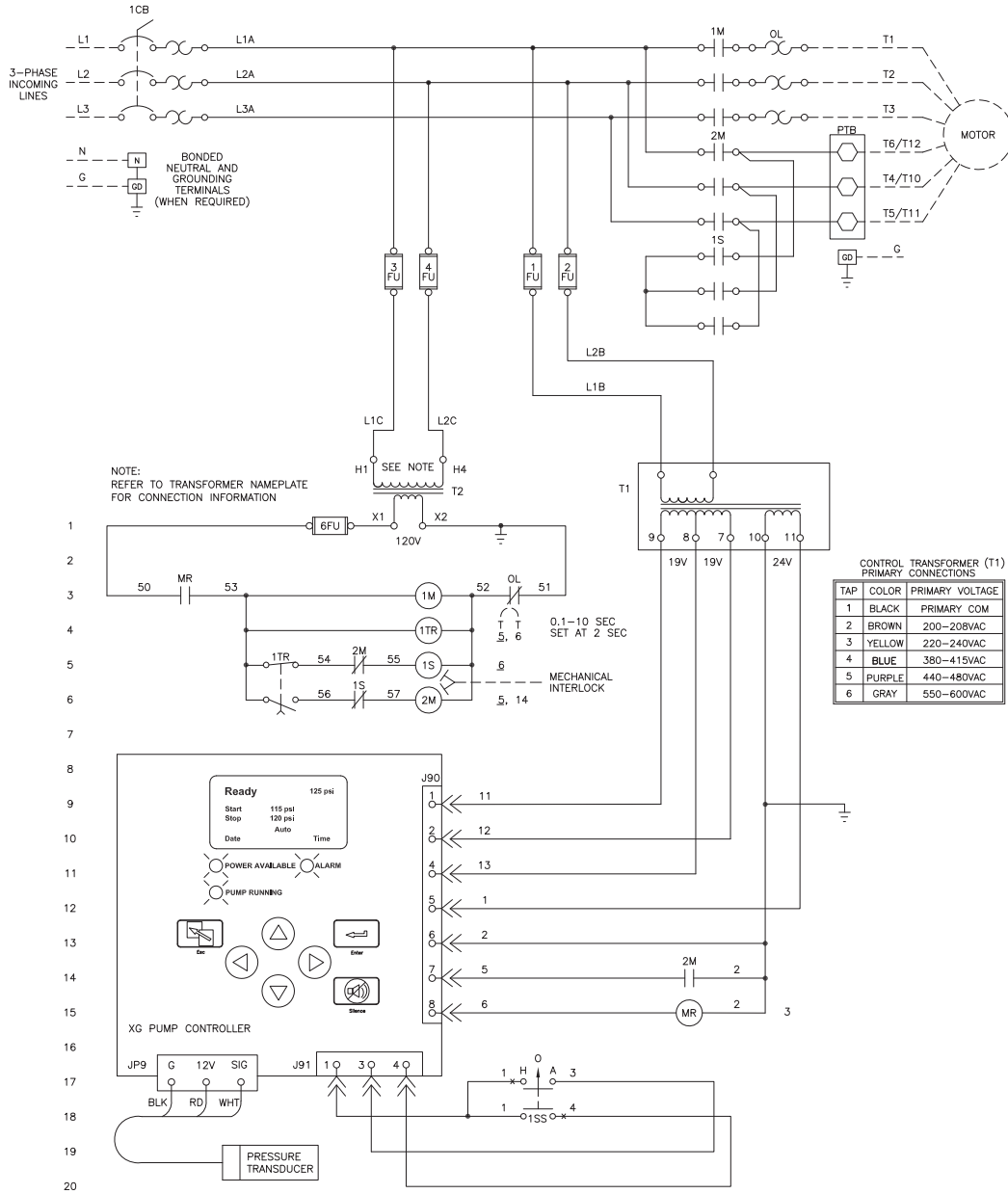


Jockey_{XG} Pump Controllers - Wye-Delta Open Transition Starting with C.B.



CONTROL TRANSFORMER (T1)
PRIMARY CONNECTIONS

TAP	COLOR	PRIMARY VOLTAGE
1	BLACK	PRIMARY COM
2	BROWN	200-208VAC
3	YELLOW	220-240VAC
4	BLUE	380-415VAC
5	PURPLE	440-480VAC
6	GRAY	550-600VAC

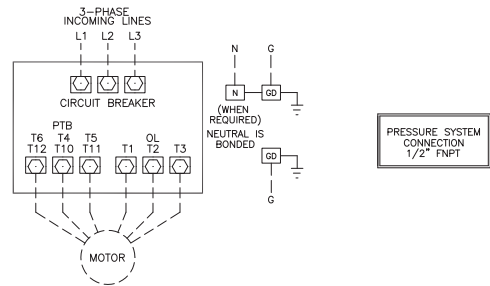
LINE TERMINALS—WIRE CAPACITY AND QUANTITY (CU) ①

MAXIMUM MOTOR HORSEPOWER					WIRE SIZE (CU) PER PHASE	WIRE SIZE (CU) NEUTRAL AND GROUND TERMINALS
200-208V	220-240V	380-415V	440-480V	550-600V		
15	15	25	30	50	(1) #14 AWG-#1/0 AWG (1) 2.5 MM ² -50 MM ²	(1) #14 AWG-#8 AWG (1) 2.5 MM ² -16 MM ²
25	30	40	50	-	(1) #14 AWG-#1/0 AWG (1) 2.5 MM ² -50 MM ²	(1) #14 AWG-#1/0 AWG (1) 2.5 MM ² -50 MM ²

MOTOR TERMINALS—WIRE CAPACITY AND QUANTITY (CU) ①

MAXIMUM MOTOR HORSEPOWER					WIRE SIZE (CU) PER PHASE (OL)	WIRE SIZE (CU) PER PHASE (PTB)
200-208V	220-240V	380-415V	440-480V	550-600V		
15	15	30	40	50	(1) #14 AWG-#8 AWG (1) 2.5 MM ² -10 MM ²	(1) #14 AWG-#8 AWG (1) 2.5 MM ² -10 MM ²
30	30	50	50	-	(1) #8 AWG-#1 AWG (1) 10 MM ² -35 MM ²	(1) #8 AWG-#2/0 AWG (1) 10 MM ² -70 MM ²

① FOR CORRECT WIRE SIZING, REFER TO NATIONAL ELECTRICAL CODE, NFPA 70.



	SIZE	A	BY	GFD	DATE	06-05-13	<p>© Firetrol, Inc. Not for construction. Subject to change without notice.</p>	WIRING SCHEMATIC	A	280596	JMW	TEF	08-28-19
	DRAWN BY	GFD	DATE	06-05-13	REVISION DESCRIPTION	FTA556E		REV	ECN NO	BY	APP	DATE	
	FINAL APPROVAL	GFD	DATE	06-05-13	WIRING SCHEMATIC	FTA556E		DRAWING NUMBER					
					WYE-DELTA JOCKEY XG PUMP CONTROLLER WITH CIRCUIT BREAKER			WS556-05					
							DWG REV	A	ECN NO	280596	SHEET 1 OF 1		

All rights reserved. The drawing and the information contained or depicted herein are the sole property of Firetrol, Inc. Copies are communicated to the recipient in strict confidence and may not be retransmitted, published, reproduced, copied or used in any manner, including as the basis for the manufacture or sale of any products, without the express prior written consent of Firetrol, Inc.