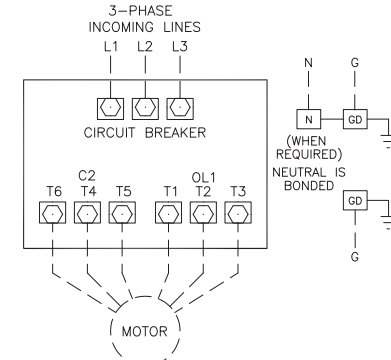
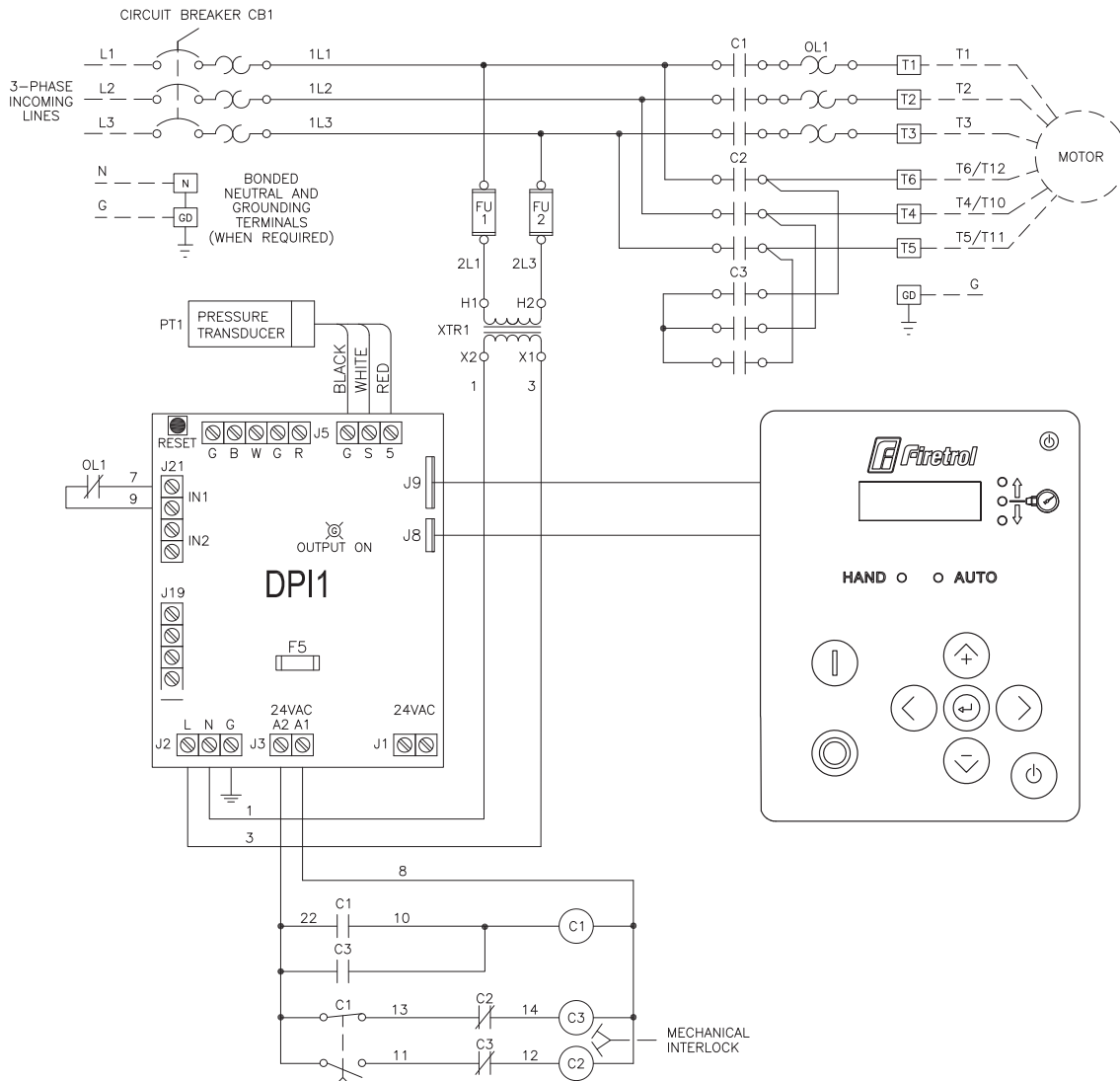


Jockey Pump Controllers - Wye-Delta Open Transition Starting



LINE TERMINALS—WIRE CAPACITY (CU) ①

MAXIMUM MOTOR HORSEPOWER					WIRE SIZE (CU) PER PHASE
200-208V	220-240V	380-415V	440-480V	550-600V	
25	30	40	50	50	(1) #14 AWG-#1 AWG (1) 2.5 MM ² - 42 MM ²

MOTOR TERMINALS—WIRE CAPACITY (CU) ①

MAXIMUM MOTOR HORSEPOWER					WIRE SIZE (CU) PER PHASE
200-208V	220-240V	380-415V	440-480V	550-600V	
15	20	30	40	50	(1) #14 AWG-#6 AWG (1) 2.5 MM ² -16 MM ²
25	30	40	50	-	(1) #10 AWG-#3 AWG (1) 4 MM ² -26 MM ²

NEUTRAL AND GROUND TERMINALS WIRE CAPACITY (CU)

#12 AWG-#2 AWG
4 MM²-35 MM²

PRESSURE SYSTEM CONNECTION
1/2" FNPT

① FOR CORRECT WIRE SIZING, REFER TO NATIONAL ELECTRICAL CODE, NFPA 70.

DRAWING FOR INFORMATION ONLY. MANUFACTURER RESERVES THE RIGHT TO MODIFY THIS DRAWING WITHOUT NOTICE. CONTACT MANUFACTURER FOR AS BUILT DRAWING.

	SIZE A	BY	DATE	<p>© Firetrol, Inc. Not for construction. Subject to change without notice.</p>	REVISION DESCRIPTION	REV	ECN NO	BY	APP	DATE	
	DRAWN BY	TEF	11/23/21		WIRING SCHEMATIC	FTA566E	DRAWING NUMBER WS566-05				
	FINAL APPROVAL	TEF	11/23/21		FTA566E WYE-DELTA JOCKEY PUMP CONTROLLER		DWG REV	ECN NO	SHEET 1 OF 1		

All rights reserved. The drawing and the information contained or depicted herein are the sole property of Firetrol, Inc. Copies are communicated to the recipient in strict confidence and may not be retransmitted, published, reproduced, copied or used in any manner, including as the basis for the manufacture or sale of any products, without the express prior written consent of Firetrol, Inc.