

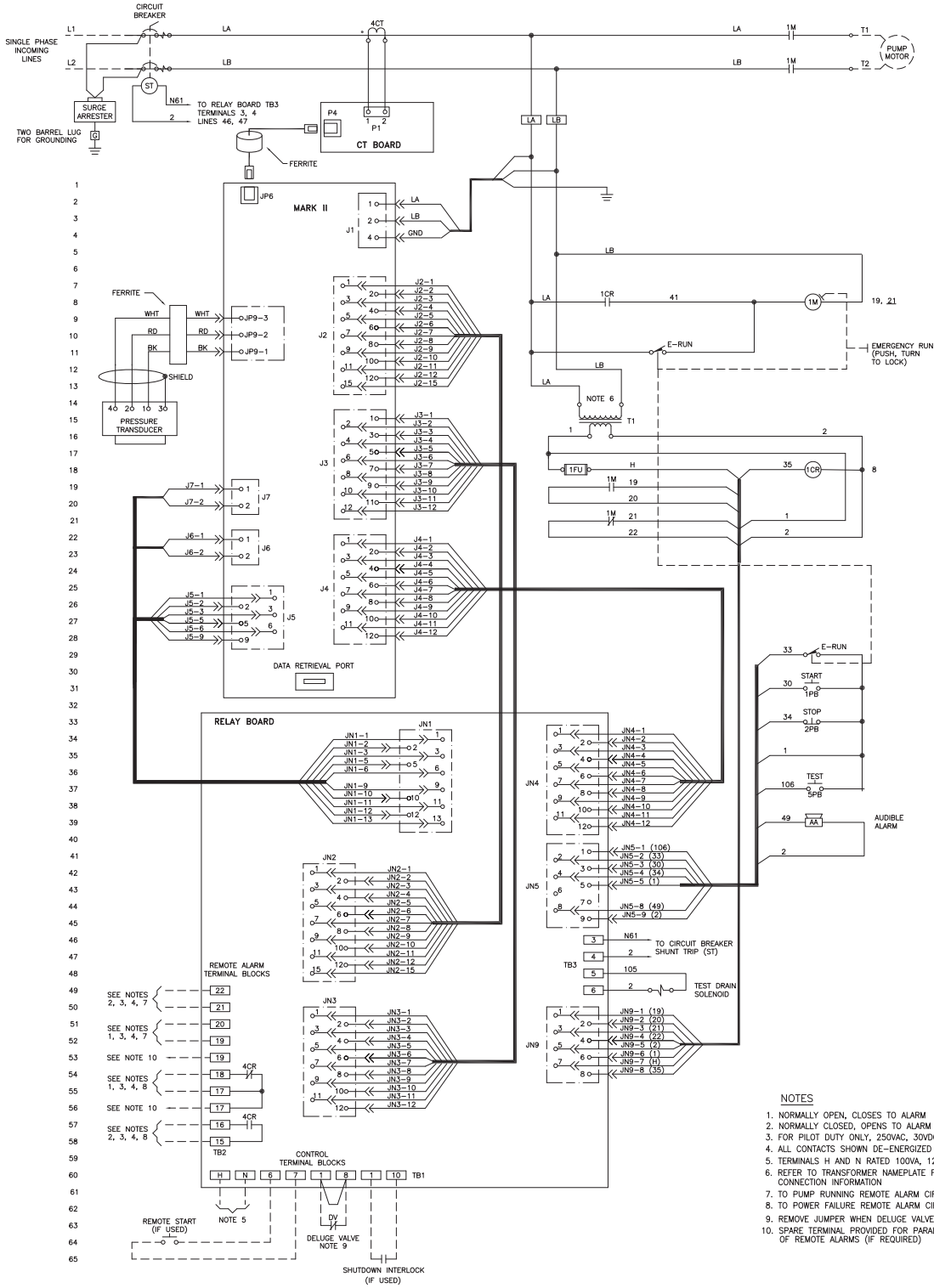


Mark IIx6 IØ Limited Service Electric Fire Pump Controllers

Wiring Schematic

FTA740

Single Phase Starting



- NOTES**
1. NORMALLY OPEN, CLOSES TO ALARM
 2. NORMALLY CLOSED, OPENS TO ALARM
 3. FOR PILOT DUTY ONLY, 250VAC, 30VDC, 10A. MAX. LOAD
 4. ALL CONTACTS SHOWN DE-ENERGIZED
 5. TERMINALS H AND N RATED 100VA, 120VAC MAX. LOAD
 6. REFER TO TRANSFORMER NAMEPLATE FOR CONNECTION INFORMATION
 7. TO PUMP RUNNING REMOTE ALARM CIRCUITS
 8. TO POWER FAILURE REMOTE ALARM CIRCUITS
 9. REMOVE JUMPER WHEN DELUGE VALVE CONTACT IS USED
 10. SPARE TERMINAL PROVIDED FOR PARALLEL CONNECTION OF REMOTE ALARMS (IF REQUIRED)

UPDATED TITLE BLOCK		B	280889	JMW	TEF	09-16-19	
REVISED TO BE IN COMPLIANCE WITH UL218 THIRD EDITION		A	271029	JMW	TEF	02-07-18	
REVISION DESCRIPTION		REV	ECN NO	BY	APP	DATE	
WIRING SCHEMATIC		FTA740		DRAWING NUMBER			
SINGLE PHASE LIMITED SERVICE CONTROLLER		WS740-50				DWG REV B	ECN NO 280889
						SHEET 1 OF 1	

THIRD ANGLE PROJECTION	SIZE	A	BY	DATE
	DRAWN BY	TEF	06-04-13	
	FINAL APPROVAL	TEF	06-04-13	



© Firetrol, Inc. Not for construction. Subject to change without notice.