

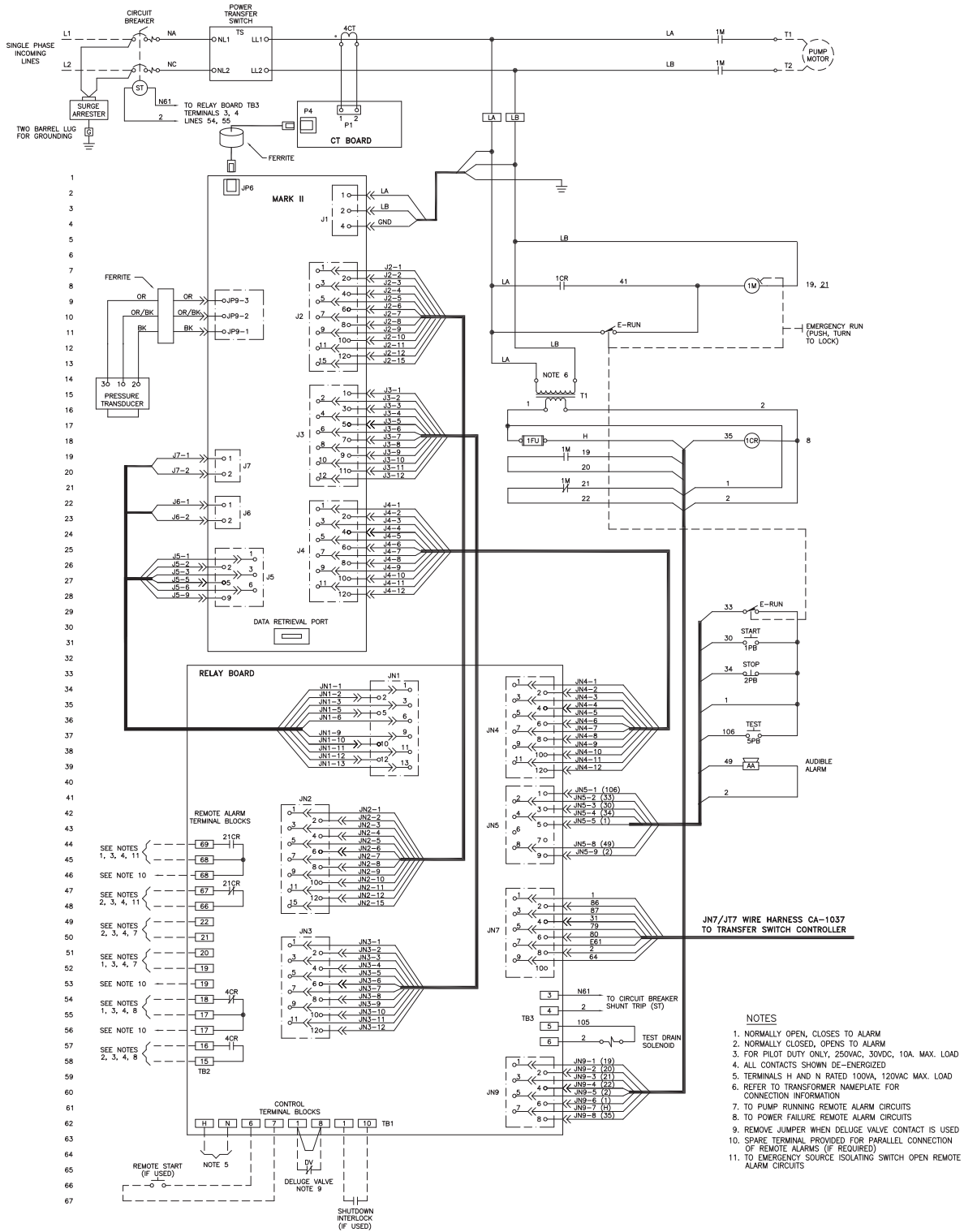


Mark IIx6 IØ Limited Service Electric Fire Pump Controllers

Wiring Schematic

FTA740/976

Single Phase Starting with Power Transfer Switch



UPDATED TITLE BLOCK		B	280889	JMW	TEF	09-16-19
REVISED TO BE IN COMPLIANCE WITH UL218 THIRD EDITION		A	271029	JMW	TEF	02-08-18
REVISION DESCRIPTION		REV	ECN NO	BY	APP	DATE
WIRING SCHEMATIC		FTA740 WITH FTA976		DRAWING NUMBER		
SINGLE PHASE LIMITED SERVICE CONTROLLER WITH POWER TRANSFER SWITCH				WS740-55		
DWG REV B		ECN NO 280889		SHEET 1 OF 1		

THIRD ANGLE PROJECTION	SIZE	A	BY	DATE
	DRAWN BY	TEF	06-04-14	
	FINAL APPROVAL	TEF	06-04-14	



© Firetrol, Inc. Not for construction. Subject to change without notice.

All rights reserved. The drawing and the information contained or depicted herein are the sole property of Firetrol, Inc. Copies are communicated to the recipient in strict confidence and may not be retransmitted, published, reproduced, copied or used in any manner, including as the basis for the manufacture or sale of any products, without the express prior written consent of Firetrol, Inc.