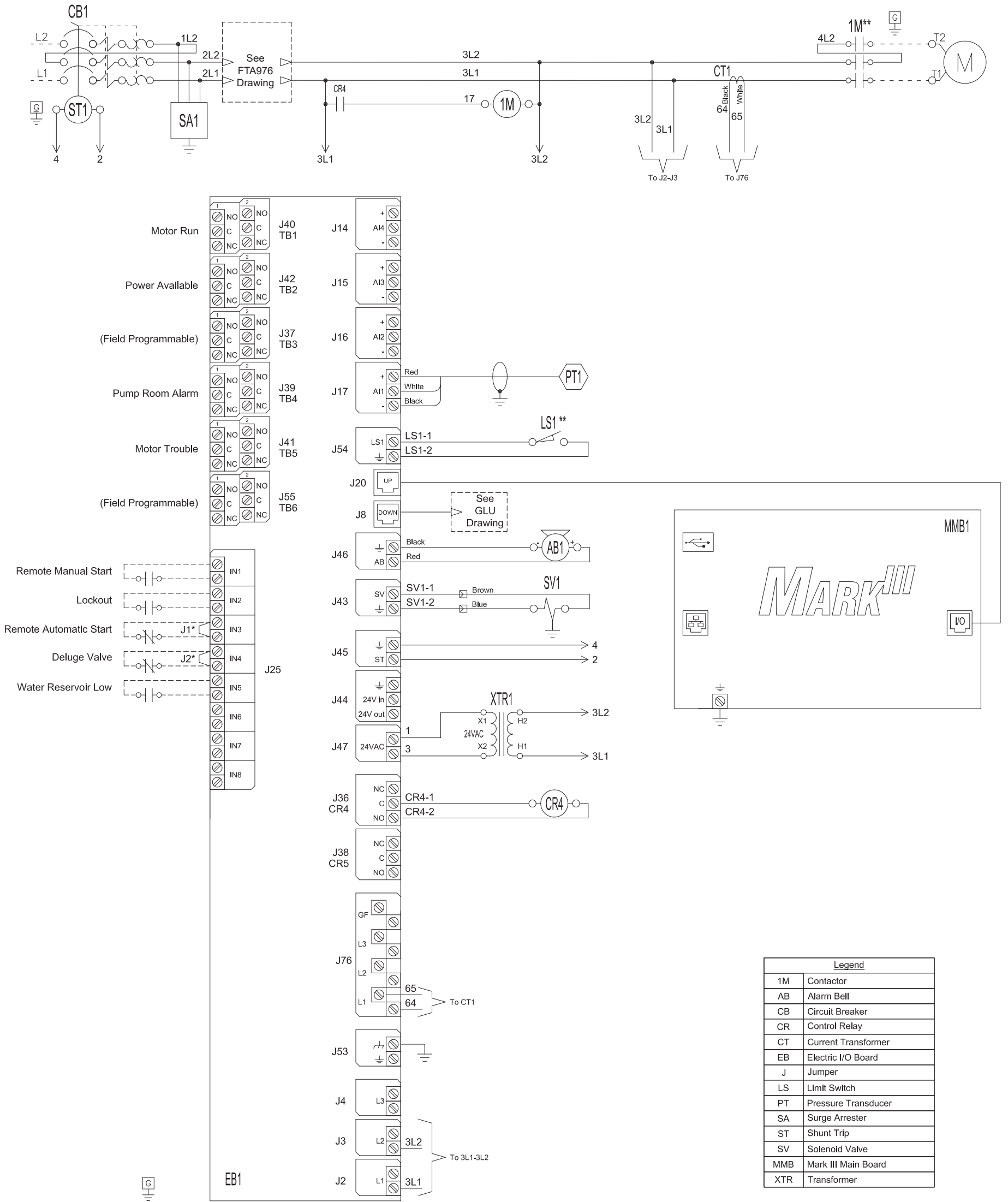


MARK III Limited Service Electric Fire Pump Controllers - Across The Line Starting With Power Transfer Switch



Legend	
1M	Contactor
AB	Alarm Bell
CB	Circuit Breaker
CR	Control Relay
CT	Current Transformer
EB	Electric I/O Board
J	Jumper
LS	Limit Switch
PT	Pressure Transducer
SA	Surge Arrester
ST	Shunt Trip
SV	Solenoid Valve
MMB	Mark III Main Board
XTR	Transformer

* Remove jumper to use this feature
 ** Contact closes when emergency start is in "ON" position

Drawing for information only.
 Manufacturer reserves the right to modify this drawing without notice.
 Contact manufacturer for "As Built" drawing.

	SIZE B	BY	DATE	<p>© Firetrol, Inc. Not for construction. Subject to change without notice.</p>	REVISION DESCRIPTION				REV	ECN NO	BY	APP	DATE
	DRAWN BY	JMW	12-2-19		WIRING SCHEMATIC	FTA740 WITH FTA976				DRAWING NUMBER			
	FINAL APPROVAL	CIR	12-2-19		SINGLE PHASE LIMITED SERVICE FIRE PUMP CONTROLLER WITH POWER TRANSFER SWITCH				WS740-80				
								DWG REV	ECN NO	SHEET 1 OF 1			

All rights reserved. The drawing and the information contained or depicted herein are the sole property of Firetrol, Inc. Copies are communicated to the recipient in strict confidence and may not be retransmitted, published, reproduced, copied or used in any manner, including as the basis for the manufacture or sale of any products, without the express prior written consent of Firetrol, Inc.