

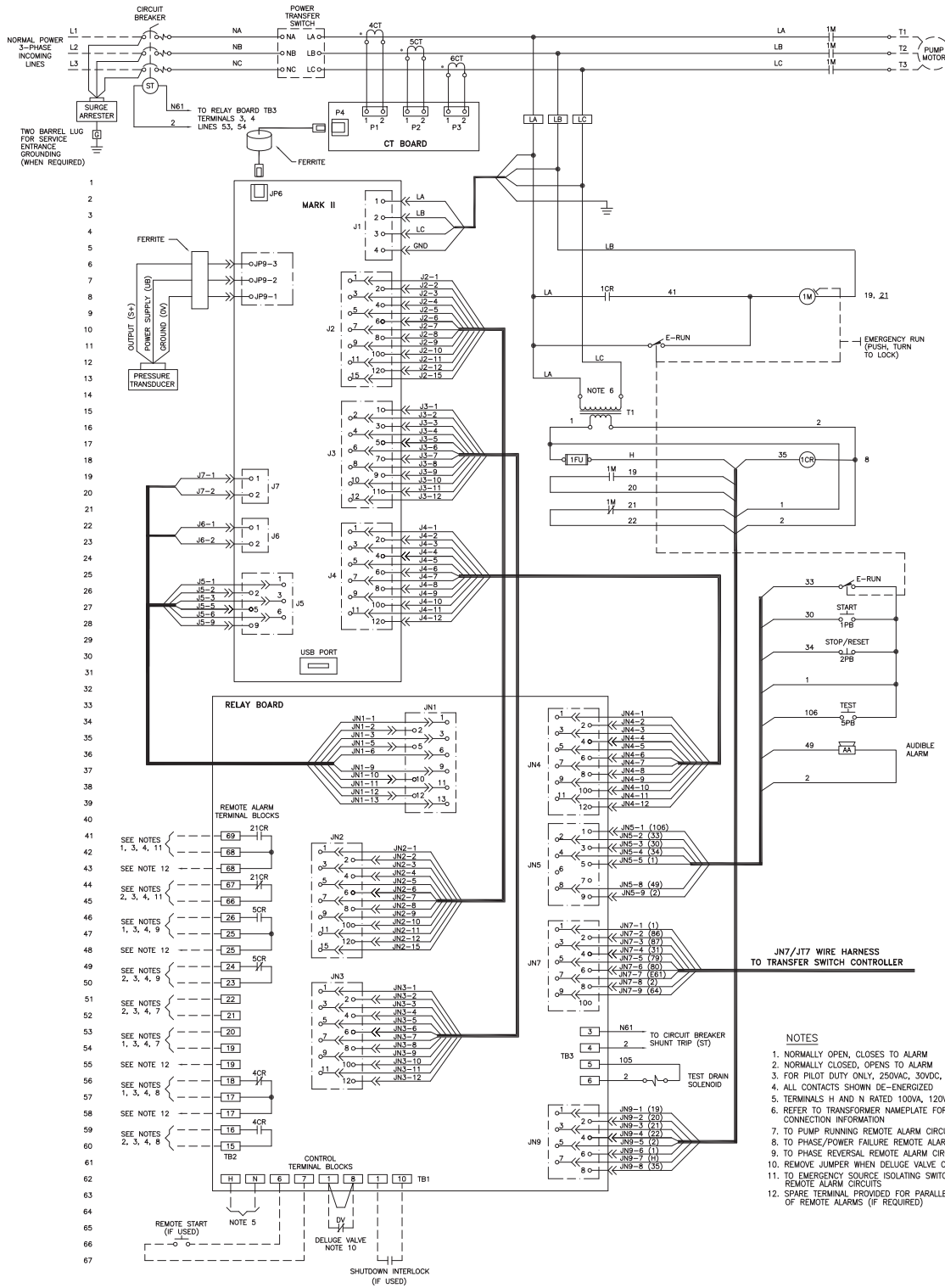


Mark IIx6 Limited Service Electric Fire Pump Controllers

Wiring Schematic

FTA750/FTA976

Across The Line Starting With Power Transfer Switch



- NOTES**
1. NORMALLY OPEN, CLOSING TO ALARM
 2. NORMALLY CLOSED, OPENS TO ALARM
 3. FOR PILOT DUTY ONLY, 250VAC, 30VDC, 10A. MAX. LOAD
 4. ALL CONTACTS SHOWN DE-ENERGIZED
 5. TERMINALS H AND N RATED 100VA, 120VAC MAX. LOAD
 6. REFER TO TRANSFORMER NAMEPLATE FOR CONNECTION INFORMATION
 7. TO PUMP RUNNING REMOTE ALARM CIRCUITS
 8. TO PHASE/POWER FAILURE REMOTE ALARM CIRCUITS
 9. TO PHASE REVERSAL REMOTE ALARM CIRCUITS
 10. REMOVE JUMPER WHEN DELUGE VALVE SWITCH IS USED
 11. TO EMERGENCY SOURCE ISOLATING SWITCH OPEN REMOTE ALARM CIRCUITS
 12. SPARE TERMINAL PROVIDED FOR PARALLEL CONNECTION OF REMOTE ALARMS (IF REQUIRED)

UPDATED TITLE BLOCK		E	280928	JMW	TEF	09-18-19
REVISED TO BE IN COMPLIANCE WITH UL218 THIRD EDITION		D	270053	GFD	GFD	11/30/17
REVISION DESCRIPTION		REV	ECN NO	BY	APP	DATE
WIRING SCHEMATIC		FTA750 WITH FTA976				
LIMITED SERVICE FIRE PUMP CONTROLLER WITH POWER TRANSFER SWITCH		DRAWING NUMBER		WS750-55		
DWG REV E		ECN NO 280928		SHEET 1 OF 1		

THIRD ANGLE PROJECTION	SIZE	A	BY	DATE
	DRAWN BY	TEF	09-16-04	
	FINAL APPROVAL	TEF	09-16-04	

Firetrol, Inc.
 © Firetrol, Inc. Not for construction. Subject to change without notice.

All rights reserved. The drawing and the information contained or depicted herein are the sole property of Firetrol, Inc. Copies are communicated to the recipient in strict confidence and may not be retransmitted, published, reproduced, copied or used in any manner, including as the basis for the manufacture or sale of any products, without the express prior written consent of Firetrol, Inc.