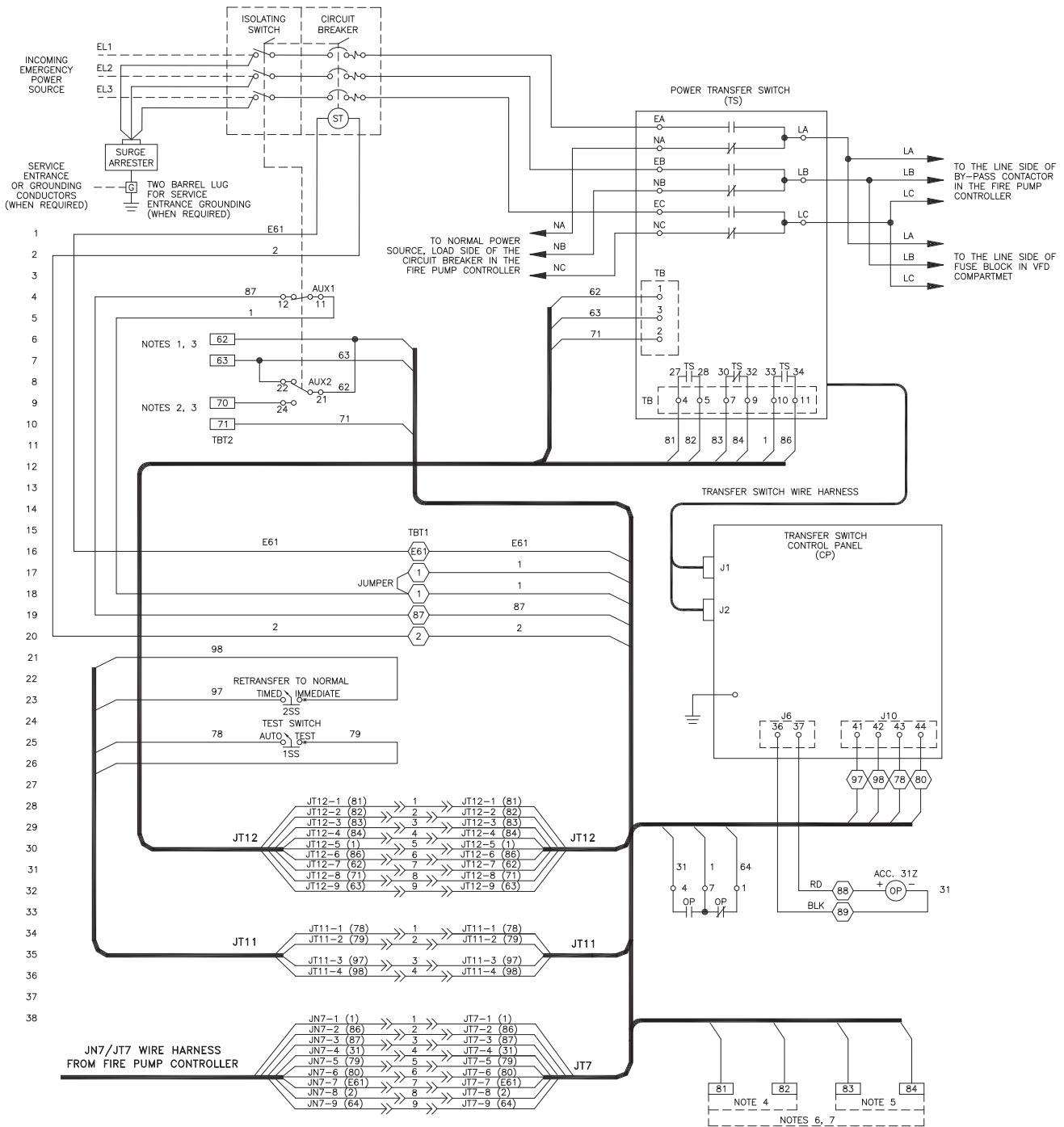


Power Transfer Switch For Use With FTA3100 Series VFD Electric Fire Pump Controllers



- COMPONENT LOCATION**
- AUX1 - AUXILIARY SWITCH 1, CLOSES WHEN EMERGENCY ISOLATING IS OPENED - LINE 4
  - AUX2 - AUXILIARY SWITCH 2, INHIBITS GEN-SET FROM STARTING IF EMERGENCY ISOLATING SWITCH IS OPENED - LINES 8, 9
- FIELD CONNECTION TERMINAL BLOCK  
 - INTERCONNECTION TERMINAL BLOCK (FOR FACTORY USE ONLY)

- NOTES:**
- 1 - NORMALLY CLOSED, OPENS TO START GENERATOR
  - 2 - NORMALLY OPEN, CLOSES TO START GENERATOR
  - 3 - GEN-SET START CONTACTS RATED 1/2 AMP, 30 VDC
  - 4 - NORMALLY OPEN, CLOSES IN EMERGENCY
  - 5 - NORMALLY CLOSED, OPENS IN EMERGENCY
  - 6 - TRANSFER SWITCH POSITION REMOTE ALARM CONTACTS
  - 7 - CONTACT RATING 5 AMP, MAX. 240 VAC, 28 VDC

VOLTAGE/POWER TABLE	
LINE VOLTAGE	MOTOR HORSEPOWER
200-208	125-200
220-240	150-200
380-415	250-350
440-480	300-500
550-600	---

	SIZE	A	BY	DATE		REV	ECN NO	BY	APP	DATE	
	DRAWN BY	TEF		05/14/21	<p>© Firetrol, Inc. Not for construction. Subject to change without notice.</p>	REVISION DESCRIPTION		DRAWING NUMBER			
	FINAL APPROVAL	TEF		05/14/21		WIRING SCHEMATIC	FTA950	WS950-57			
						FIRE PUMP PWR TRANSFER SWITCH FOR GEN-SET AND SECOND UTILITY POWER SOURCE FOR FTA3100 SERIES VFD's		DWG REV -		ECN NO -	SHEET 1 OF 1

All rights reserved. The drawing and the information contained or depicted herein are the sole property of Firetrol, Inc. Copies are communicated to the recipient in strict confidence and may not be retransmitted, published, reproduced, copied or used in any manner, including as the basis for the manufacture or sale of any products, without the express prior written consent of Firetrol, Inc.