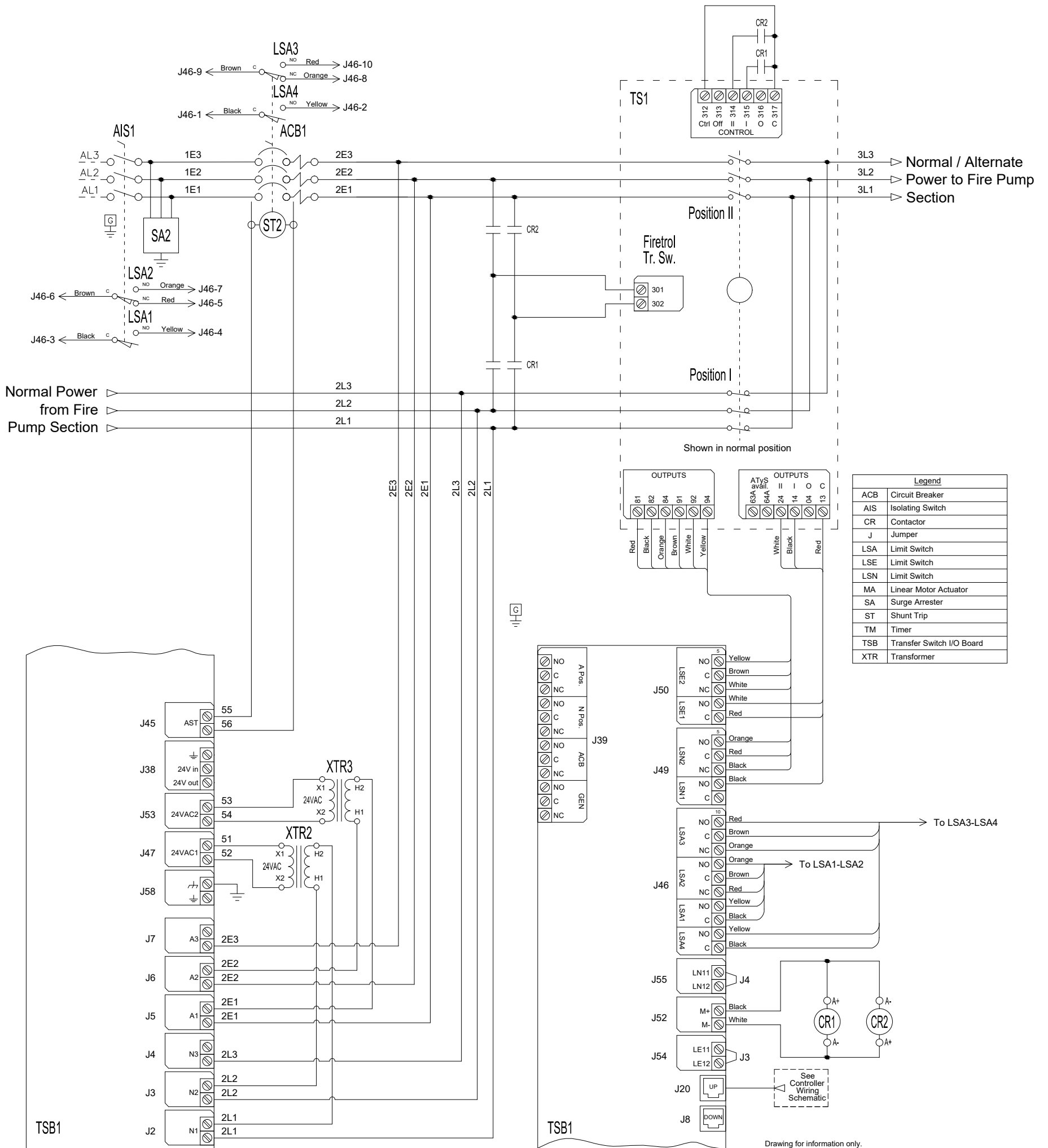


Power Transfer Switch For Use With MARK<sup>III</sup> Electric Fire Pump Controllers



Drawing for information only.  
Manufacturer reserves the right to modify this drawing without notice.  
Contact manufacturer for "As Built" drawing.

VOLTAGE/POWER TABLE	
LINE VOLTAGE	MOTOR HORSEPOWER
200-208	125-250
220-240	150-300

SIZE	BY	DATE	REVISION DESCRIPTION	REV	ECN NO	BY	APP	DATE
B	CIR	12-9-19	WIRING SCHEMATIC					
DRAWN BY			FTA950	DRAWING NUMBER		WS950-63		
FINAL APPROVAL			FIRE PUMP TRANSFER SWITCH FOR GEN SET AND SECOND UTILITY POWER SOURCE FOR 200-240V	DWG REV		ECN NO		SHEET 1 OF 1

All rights reserved. The drawing and the information contained or depicted herein are the sole property of Firetrol, Inc. Copies are communicated to the recipient in strict confidence and may not be retransmitted, published, reproduced, copied or used in any manner, including as the basis for the manufacture or sale of any products, without the express prior written consent of Firetrol, Inc.